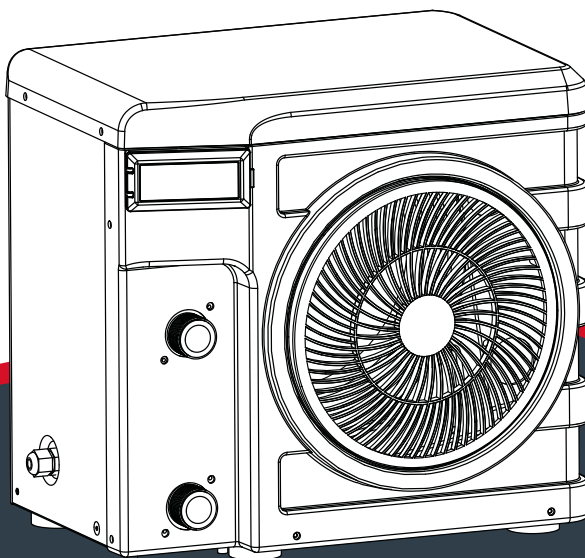


**POOLEX**

**NANO ACTION**



Installation and user manual



Installations und Gebrauchsanleitung



Installaties en gebruikershandleiding

# Warning



***This heat pump contains a flammable refrigerant R32.***

***Any intervention on the refrigerant circuit is prohibited without a valid authorization.***

***Before working on the refrigerant circuit, the following precautions are necessary for safe work.***

## ***1. Work procedure***

*The work must be carried out according to a controlled procedure, in order to minimize the risk of presence of flammable gases or vapors during the execution of the*

*works.*

## **2. General work area**

*All persons in the area must be informed of the nature of the work in progress. Avoid working in a confined area. The area around the work area should be divided, secured and special attention should be paid to nearby sources of flame or heat.*

## **3. Verification of the presence of refrigerant**

*The area should be checked with a suitable refrigerant detector before and during work to ensure that there is no potentially flammable gas. Make sure that the leak detection equipment used is suitable for flammable refrigerants, ie it does not produce sparks, is properly sealed or has internal safety.*

## **4. Use of fire extinguisher**

*If hot work is to be performed on the refrigeration equipment or any associated part, appropriate fire extinguishing equipment must be available. Install a dry powder or CO2 fire extinguisher near the work area.*

## **5. No source of flame, heat or spark**

*It is totally forbidden to use a source of heat, flame or spark in the direct vicinity of one or more parts or pipes containing or having contained a flammable refrigerant. All sources of ignition, including smoking, must be sufficiently far from the place of installation, repair, removal and disposal, during which time a flammable refrigerant may be released into the surrounding area. Before starting work, the environment of the equipment should be checked to ensure that there is no risk of flammability. «No smoking» signs must be posted.*

## **6. Ventilated area**

*Make sure the area is in the open air or is properly ventilated before working on the system or performing hot work. Some ventilation must be maintained during the duration of the work.*

## **7. Controls of refrigeration equipment**

*When electrical components are replaced, they must be suitable for the intended purpose and the appropriate specifications. Only the parts of the manufacturer can be used. If in doubt, consult the technical service of the manufacturer.*

*The following controls should be applied to installations using flammable refrigerants:*

- The size of the load is in accordance with the size of the room in which the rooms containing the refrigerant are installed;*
- Ventilation and air vents work properly and are not obstructed;*
- If an indirect refrigeration circuit is used, the secondary circuit must also be checked.*
- The marking on the equipment remains visible and legible. Illegible marks and signs must be corrected;*
- Refrigeration pipes or components are installed in a position where they are unlikely to be exposed to a substance that could corrode components containing refrigerant*

## **8. Verification of electrical appliances**

*Repair and maintenance of electrical components must include initial safety checks and component inspection procedures. If there is a defect that could compromise safety, no power supply should be connected to the circuit until the problem is resolved.*

*Initial security checks must include:*

- That the capacitors are discharged: this must be done in a safe way to avoid the possibility of sparks;*
- No electrical components or wiring are exposed during loading, recovery or purging of the refrigerant gas system;*
- There is continuity of grounding.*

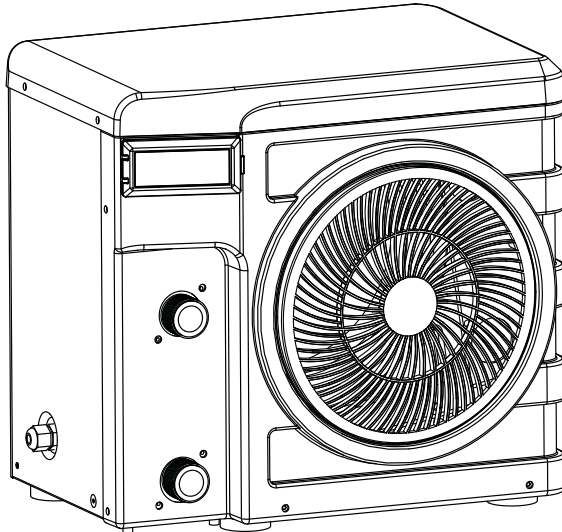
# Thank you

*Dear Customer,*

*Thank you for your purchase and for your confidence in our products.*

*These are the result of many years of research in the field of design and production of heat pumps for swimming pools. Our aim is to provide you with an exceptional high performance quality product.*

*We have produced this manual with the utmost care so that you get maximum benefit from your Poolex heat pump.*





# PLEASE READ CAREFULLY

**These installation instructions are an integral part of the product.  
They must be given to the installer and retained by the user.**

**If the manual is lost, please consult the website:**

**[www.poolex.fr](http://www.poolex.fr)**

The instructions and recommendations contained in this manual should be read carefully and understood since they provide valuable information concerning the heat pump's safe handling and operation. **Keep this manual in an accessible place for easy future reference.**

**Installation must be carried out by a qualified professional person** in accordance with current regulations and the manufacturer's instructions. An installation error may cause physical injury to persons or animals as well as mechanical damage for which the manufacturer can under no circumstances be held responsible.

**After unpacking the heat pump, please check the contents in order to report any damage.**

Prior to connecting the heat pump, ensure that the information provided in this manual is compatible with the actual installation conditions and does not exceed the maximum limits authorized for this particular product.

**In the event of a defect and/or malfunction of the heat pump, the electricity supply must be disconnected** and no attempt made to repair the fault.

Repairs must be undertaken only by an authorized technical service organization using original replacement parts. Failure to comply with the above-mentioned clauses may have an adverse effect on the heat pump's safe operation.

To guarantee the heat pump's efficiency and satisfactory operation, it is important to ensure its regular maintenance in accordance with the instructions provided.

If the heat pump is sold or transferred, always make sure that all technical documentation is transmitted with the equipment to the new owner.

This heat pump is designed solely for heating a swimming pool. Any other use must be considered as being inappropriate, incorrect or even hazardous.

Any contractual or non-contractual liability of the manufacturer/distributor shall be deemed null and void for damage caused by installation or operational errors, or due to non-compliance with the instructions provided in this manual or with current installation norms applicable to the equipment covered by this document.

# Contents

<b>1. General</b> .....	<b>4</b>
1.1 General Terms of Delivery .....	4
1.2 Safety instructions .....	4
1.3 Water treatment .....	5
<b>2. Description</b> .....	<b>6</b>
2.1 Package contents .....	6
2.2 General characteristics .....	6
2.3 Technical specifications .....	7
2.4 Unit dimensions .....	8
2.5 Exploded view .....	9
<b>3. Installation</b> .....	<b>10</b>
3.1 Location .....	10
3.2 Installation layout .....	11
3.3 Hydraulic connection .....	11
3.4 Electrical connection .....	11
<b>4. Use</b> .....	<b>12</b>
4.1 Control panel .....	12
4.2 Heating mode .....	13
4.3 Status values and advanced settings .....	14
<b>5. Operation</b> .....	<b>16</b>
5.1 Operation .....	16
<b>6. Maintenance and servicing</b> .....	<b>17</b>
6.1 Maintenance, servicing and winter storage .....	17
<b>7. Repairs</b> .....	<b>18</b>
7.1 Breakdowns and faults .....	18
<b>8. Recycling</b> .....	<b>19</b>
8.1 Recycling the heat pump .....	19
<b>9. Warranty</b> .....	<b>20</b>
9.1 General warranty conditions .....	20
<b>A. Appendices</b> .....	<b>A</b>
A.1 Wiring diagrams .....	A

# 1. General

## 1.1 General Terms of Delivery

All equipment, even if shipped 'free of carriage and packing', is dispatched at the consignee's own risk.

The person responsible for receiving the equipment must carry out a visual inspection to identify any damage to the heat pump during transport (refrigerant system, body panels, electrical control box, frame). He/she must note down on the carrier's delivery note any remarks concerning damage caused during transport and confirm them to the carrier by registered letter within 48 hours.



The equipment must always be stored and transported vertically on a pallet and in its original packaging. If it is stored or transported horizontally, wait at least 24 hours before switching it on.

## 1.2 Safety instructions



**WARNING : Please read carefully the safety instructions before using the equipment. The following instructions are essential for safety so please strictly comply with them.**

### *During installation and servicing*

Only a qualified person may undertake installation, start-up, servicing and repairs, in compliance with current standards.

Before operating or undertaking any work on the equipment (installation, commissioning, usage, servicing), the person responsible must be aware of all the instructions in the heat pump's installation manual as well as the technical specifications.

Under no circumstances install the equipment close to a source of heat, combustible materials or a building's air intake.

If installation is not in a location with restricted access, a heat pump protective grille must be fitted.

To avoid severe burns, do not walk on pipework during installation, repairs or maintenance.

To avoid severe burns, prior to any work on the refrigerant system, turn off the heat pump and wait several minutes before placing temperature and pressure sensors.

Check the refrigerant level when servicing the heat pump.

Check that the high and low pressure switches are correctly connected to the refrigerant system and that they turn off the electrical circuit if tripped during the equipment's annual leakage inspection.

Check that there is no trace of corrosion or oil stains around the refrigerant components.

# 1. General

## *During use*

To avoid serious injuries, never touch the fan when it is operating.

Keep the heat pump out of the reach of children to avoid serious injuries caused by the heat exchanger's blades.

Never start the equipment if there is no water in the pool or if the circulating pump is stopped.

Check the water flow rate every month and clean the filter if necessary.

## *During cleaning*

Switch off the equipment's electricity supply.

Close the water inlet and outlet valves.

Do not insert anything into the air or water intakes or outlets.

Do not rinse the equipment with water.

## *During repairs*

Carry out work on the refrigerant system in accordance with current safety regulations.

Brazing should be performed by a qualified welder.

When replacing a defective refrigerant component, use only parts certified by our technical department.

When replacing pipework, only copper pipes conforming to Standard NF EN12735-1 may be used for repairs.

When pressure-testing to detect leaks:

To avoid the risks of fire or explosion, never use oxygen or dry air.

Use dehydrated nitrogen or a mixture of nitrogen and refrigerant.

The low and high side test pressure must not exceed 42 bar.

## 1.3 Water treatment

Poolex heat pumps for swimming pools can be used with all types of water treatment systems. Nevertheless, it is essential that the treatment system (chlorine, pH, bromine and/or salt chlorinator metering pumps) is installed after the heat pump in the hydraulic circuit.

**To avoid any deterioration to the heat pump, the water's pH must be maintained between 6.9 and 8.0.**

# 2. Description

## 2.1 Package contents

- ✓ Heat pump Poolex Nano Action R32
- ✓ 2 hydraulic inlet/outlet connectors 32/38mm diameter
- ✓ This installation and user manual
- ✓ **4 anti-vibration pads**

## 2.2 General characteristics

A Poolex heat pump has the following features:

- CE certification and complies with the RoHS European directive.
- High performance with up to 80% energy savings compared to a conventional heating system.
- Clean, efficient and environmentally friendly R32 refrigerant.
- Reliable high output leading brand compressor.
- Wide hydrophilic aluminum evaporator for use at low temperatures.
- User-friendly intuitive control panel.
- Heavy duty shell, anti-UV treated and easy to maintain.
- Designed to be silent.



# 2. Description

## 2.3 Technical specifications

		3 kW	4 kW	5 kW
Air <sup>(1)</sup> 26°C Water <sup>(2)</sup> 26°C	Heating power (W)	3 010	4 200	5 010
	Consumption (W)	540	760	910
	<b>COP (Coeff. of performance)</b>	<b>5,61</b>	<b>5,50</b>	<b>5,50</b>
Air <sup>(1)</sup> 15°C Water <sup>(2)</sup> 26°C	Heating power (W)	2 200	3 100	4 030
	Consumption (W)	490	690	900
	<b>COP (Coeff. of performance)</b>	<b>4,51</b>	<b>4,50</b>	<b>4,50</b>
Electricity supply	220-240V ~ 50Hz			
Maximum power (W)	900	1 200	1 500	
Maximum current (A)	3,99	5,32	6,65	
Heating temperature range	15°C ~ 40°C			
Operating range	8°C ~ 43°C			
Unit dimensions L × W × H (mm)	385 x 400 x 280			
Unit weight (kg)	17	24	26	
Packaging dimensions L × W × H (mm)	415 x 460 x 370			
Packaging weight (kg)	19	28	30	
Sound pressure level at 10 m (dBA) <sup>(3)</sup>	<32	<35	<36	
Hydraulic connection (mm)	PVC 32 / 38mm			
Heat exchanger	PVC tank and titanium heating coil			
Min. water flow rate (m³/h)	2	2	2,5	
Compressor type	Rotary			
Refrigerant	R32			
Refrigerant content (kg)	0,18	0,3	0,35	
GWP	675			
Equivalent CO2	0,122	0,203	0,337	
Waterproof IP	IPX4			
Load loss (mCE)	0,8			
Max. pool volume (m³) <sup>(4)</sup>	≤21	≤28	≤35	
Control panel	Backlit control screen			
Mode	Heating			

The technical specifications of our heat pumps are provided for information purposes only. We reserve the right to make changes without prior notice.

<sup>1</sup> Ambient air temperature

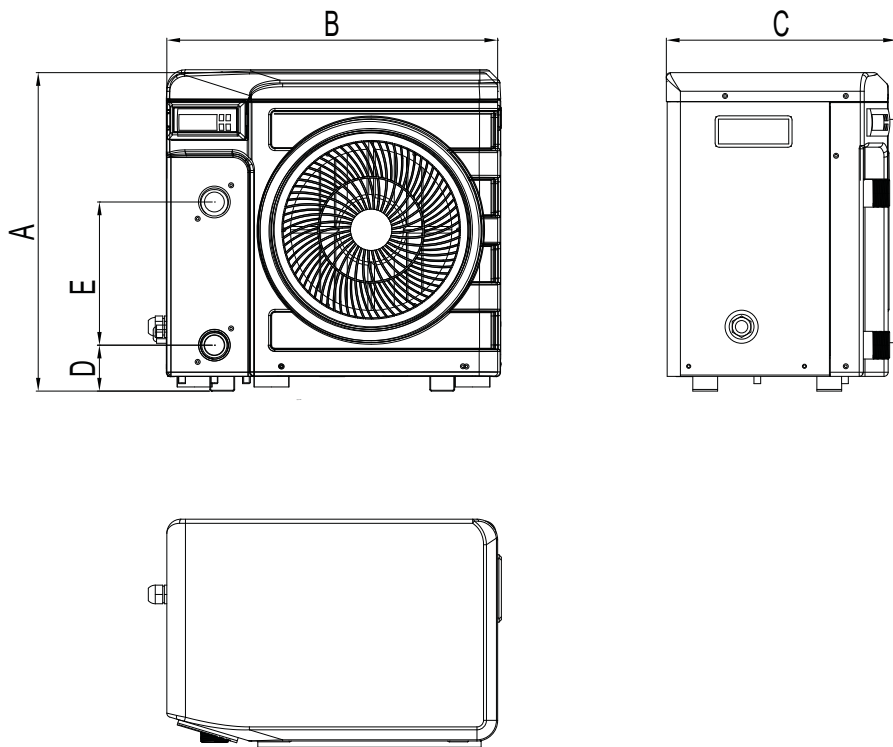
<sup>2</sup> Initial water temperature

<sup>3</sup> Noise at 10 m in accordance with Directives EN ISO 3741 and EN ISO 354

<sup>4</sup> Calculated for an in-ground private swimming pool covered with a bubble cover.

## 2. Description

### 2.4 Unit dimensions



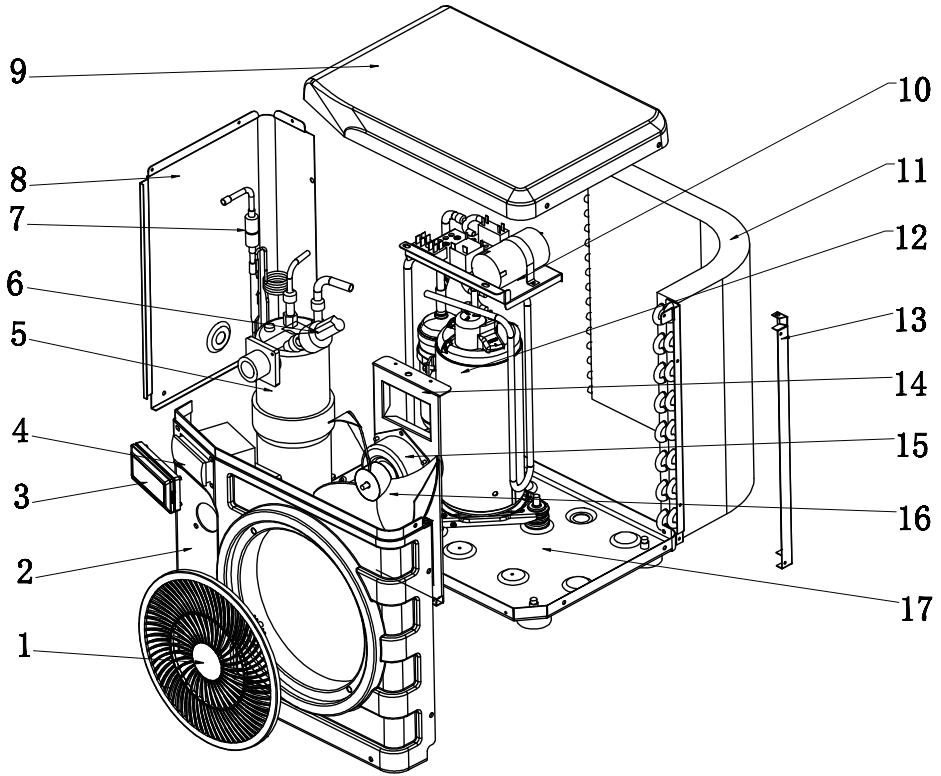
Dimensions in mm

Nano Action 3 kW / 4 kW / 5 kW	
A	385
B	400
C	280
D	52
E	180

## 2. Description

### 2.5 Exploded view

ZE



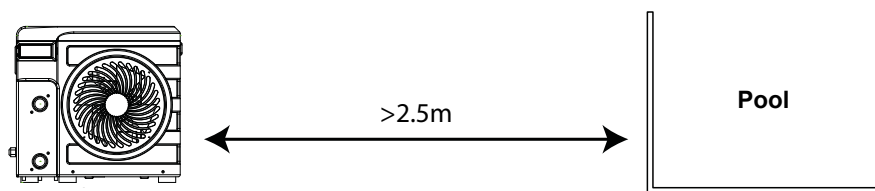
- |                          |                            |
|--------------------------|----------------------------|
| 1. Fan protective grille | 10. Electrical control box |
| 2. Front panel           | 11. Evaporator             |
| 3. Control panel         | 12. Compressor             |
| 4. Control panel         | 13. Mounting frame         |
| 5. Heat exchanger        | 14. Fan support            |
| 6. Water Flow Switch     | 15. Fan motor              |
| 7. Throttling parts      | 16. Fan blade              |
| 8. Left side panel       | 17. Base frame             |
| 9. Top panel             |                            |

# 3. Installation

**The heat pump is very easy to install, only water and power need to be connected during installation.**

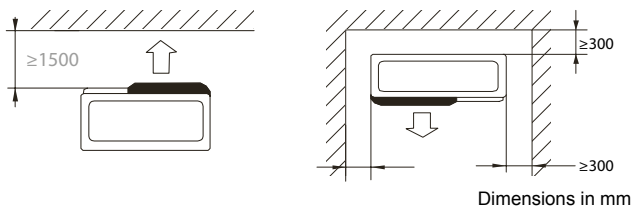
## 3.1 Location

The heat pump should be located at least 2.5 meter away from the swimming pool.



**Please comply with the following rules concerning the choice of heat pump location.**

1. The unit's future location must be easily accessible for convenient operation and maintenance.
2. It must be installed on the ground, laid ideally on a level concrete floor. Ensure that the floor is sufficiently stable and can support the weight of the unit.
3. Check that the unit is properly ventilated, that the air outlet is not facing the windows of neighboring buildings and that the exhaust air cannot return. In addition, provide sufficient space around the unit for servicing and maintenance operations.
4. The unit must not be installed in an area exposed to oil, flammable gases, corrosive products, sulfurous compounds or close to high frequency equipment.
5. To prevent mud splashes, do not install the unit near a road or track.
6. To avoid causing nuisance to neighbors, make sure the unit is installed so that it is positioned towards the area that is least sensitive to noise.
7. Keep the unit as much as possible out of the reach of children.



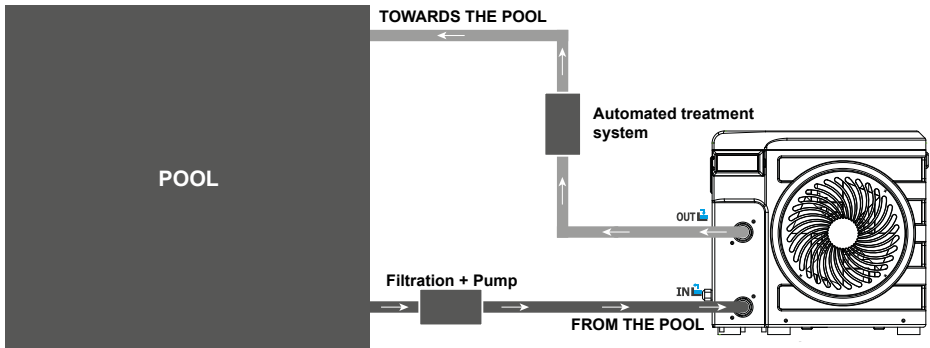
Place nothing less than 1,50 m in front of the heat pump.

Leave 30 cm of empty space around the sides and rear of the heat pump.

**Do not leave any obstacle above or in front of the unit!**

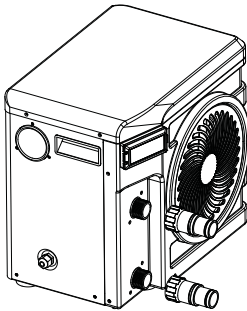
# 3. Installation

## 3.2 Installation layout



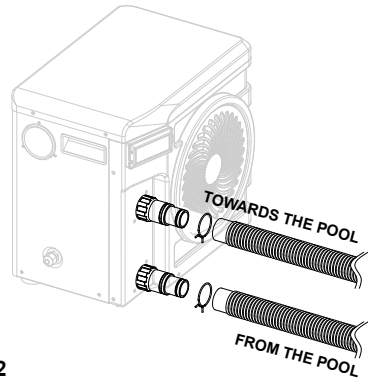
The filter located upstream of the heat pump must be regularly cleared so that the water in the system is clean, thus avoiding the operational problems associated with dirt or clogging in the filter.

## 3.3 Hydraulic connection



### Step 1

Screw the connectors to the heat pump

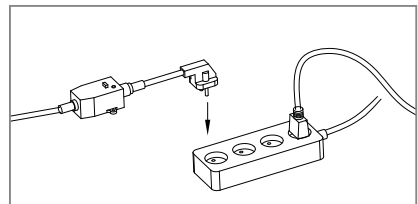


### Step 2

Connect the water outlet pipe and the water intake pipe

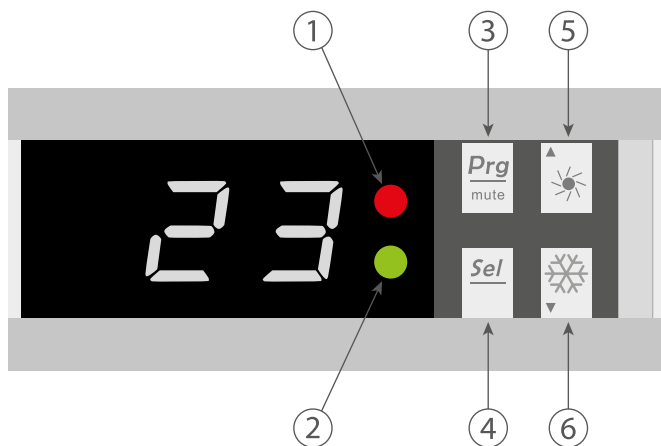
## 3.4 Electrical connection

The heat pump electrical plug integrates a 10mA differential circuit breaker. Before connecting your heat pump, please ensure that the plug is connected to the ground. The filter pump should function at the same time as the heat pump. Therefore, you need to connect them to the same electrical circuit.



# 4. Use

## 4.1 Control panel



- 1. Power LED
- 2. Defrost LED


- 3. ON/OFF button
- 4. Select button

- 5. Up (+) button
- 6. Down (-) button

# 4. Use

## 4.2 Heating Mode

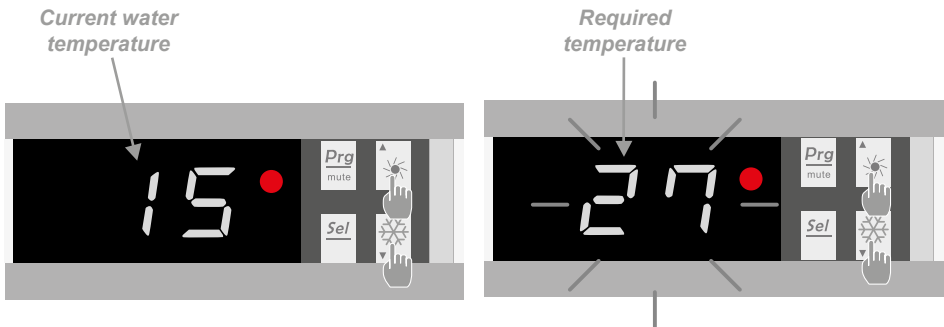
**WARNING:** Before starting, ensure that the filtration pump is operating correctly.

**Step 1 :** Press  to switch on your pump.

**Step 2 :** Using buttons  and  select the required temperature.

EXAMPLE:

If the current temperature is 15°C, default setting temperature is 27° required temperature is 30°C.



### Useful information about how the heating mode operates

When the incoming water temperature is less than or equal to the required temperature (setpoint temperature) -X°C, the heat pump will switch to heating mode. The compressor will stop when the temperature of the incoming water is greater than or equal to the required temperature (setpoint temperature).

*Indicators for adjustment range X and Y*

X : adjustable parameter from 1° to 15°C, default setting is 3°C. (Parameter N°6)

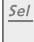
# 4. Use

## 4.3 Status values and advanced settings

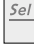


**WARNING:** This operation is used to assist servicing and future repairs.  
The default settings should only be modified by an experienced professional person.

The system's settings can be checked and adjusted via the remote control by following these steps

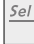
**Step 1 :** Keep pressing  until you enter the settings verification mode.


**Step 2 :** Press  and  for see the parameters.

**Step 3 :** Press  to select the setting to be modified.

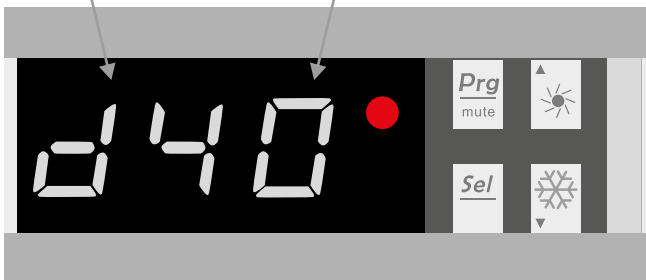
*Note, some settings cannot be modified. Consult the settings table for further information.*

**Step 4 :** Press  and  to adjust the setting value.

**Step 5 :** Press  to set the new value.

**Step 6 :** Press  to return to the main screen.

Parameter d                      Value 40





# 4. Use

**Parameters table**

N°	Description	Adjustment range	Factory setting	Remarks
A	Water intake temperature	-19~99°C		Actual data
b	Water outlet temperature	-19~99°C		Actual data
c	Ambient air temperature	-19~99°C		Actual data
d	Setting temperature	15~40°C	27°C	Adjustable
E	Defrost auto-activation time	10~80 min	40 min	Adjustable
F	Maximum defrost duration	10~40 min	30 min	Adjustable
H	Adjustment of temperature difference for restart	1~10°C	3°C	Adjustable
J	Automatic restart	0 = OFF 1 = ON	1	Adjustable
O	Antifreeze protection - low air temperature	0~15°C	8°C	Ajustable
P	Evaporator temperature to enter defrosting mode	-19°C~0°C	-3°C	Ajustable
U	Evaporator temperature to exit defrosting mode	1~30°C	20°C	Ajustable
t	Reserved - do not modify			Reserved

# 5. Operation

## 5.1 Operation

### *Conditions of use*


**For the heat pump to operate normally, the ambient air temperature must be between 8°C and 43°C.**

### *Recommendations prior to start-up*

Before activating the heat pump, please:

- ✓ Check that the unit is stable.
- ✓ Control the proper functioning of your electrical installation.
- ✓ Check that the hydraulic connections are tight and that there is no leakage of water.
- ✓ Remove any unnecessary object or tool from around the unit.

### *Operation*

1. Connect the unit power plug.
2. Activate the circulating pump.
3. Activate the unit's power supply protection (differential switch and circuit-breaker).
4. Activate the heat pump by pressing once on .
5. Select the required temperature.
6. The heat pump's compressor will start up after a few moments.

All you have to do now is wait until the required temperature is reached.



**WARNING:** Under normal conditions, a suitable heat pump can heat the water in a swimming pool by 1°C to 2°C per day. It is therefore quite normal to not feel any temperature difference in the system when the heat pump is working. A heated pool must be covered to avoid any loss of heat.

# 6. Maintenance and servicing

## 6.1 Maintenance, servicing and winter storage



**WARNING: Before undertaking maintenance work on the unit, ensure that you have disconnected the electrical power supply.**

### Cleaning

The heat pump's casing must be cleaned with a damp cloth. The use of detergents or other household products could damage the surface of the casing and affect its properties.

The evaporator at the rear of the heat pump must be carefully cleaned with a vacuum cleaner and soft brush attachment.

### Annual maintenance

The following operations must be undertaken by a qualified person at least once a year.

- ✓ Carry out safety checks.
- ✓ Check the integrity of the electrical wiring.
- ✓ Check the earthing connections.
- ✓ Monitor the state of the pressure gauge and the presence of refrigerant.

### Winter storage

Your heat pump is designed to operate in rainy weather conditions and withstand frost using a specially created anti-frost technology. However it is not recommended to leave it outside for long periods of time (eg over winter). After draining down the pool for the winter, store the heat pump in a dry place.

# 7. Repairs



**WARNING:** Under normal conditions, a suitable heat pump can heat the water in a swimming pool by 1°C to 2°C per day. It is therefore quite normal to not feel any temperature difference in the system when the heat pump is working.  
A heated pool must be covered to avoid any loss of heat.

## 7.1 Breakdowns and faults

In the event of a problem, the heat pump's screen displays an error code instead of temperature indications. Please consult the table below to find the possible causes of a fault and the actions to be taken.

Code	Fault	Possible causes	Action
P1	Water intake temperature sensor malfunction	Sensor badly connected	Reconnect sensor
		Sensor defective	Replace sensor
		Defective control panel	Replace control panel
P3	Evaporator temperature sensor malfunction	Same causes as P1	Same actions as P1
P5	External temperature sensor malfunction		
P7	Antifreeze protection	Protection activated when the ambient temperature is too low.	No intervention is necessary
E3	Flow sensor malfunction	Insufficient water in heat exchanger	Check your water circuit operation
		Defective water flow sensor	Replace water flow switch
		Defective control panel	Replace control panel
	The unit stop working without error code	Insufficient water in heat exchanger	Check your water circuit operation
		Defective control panel	Replace control panel

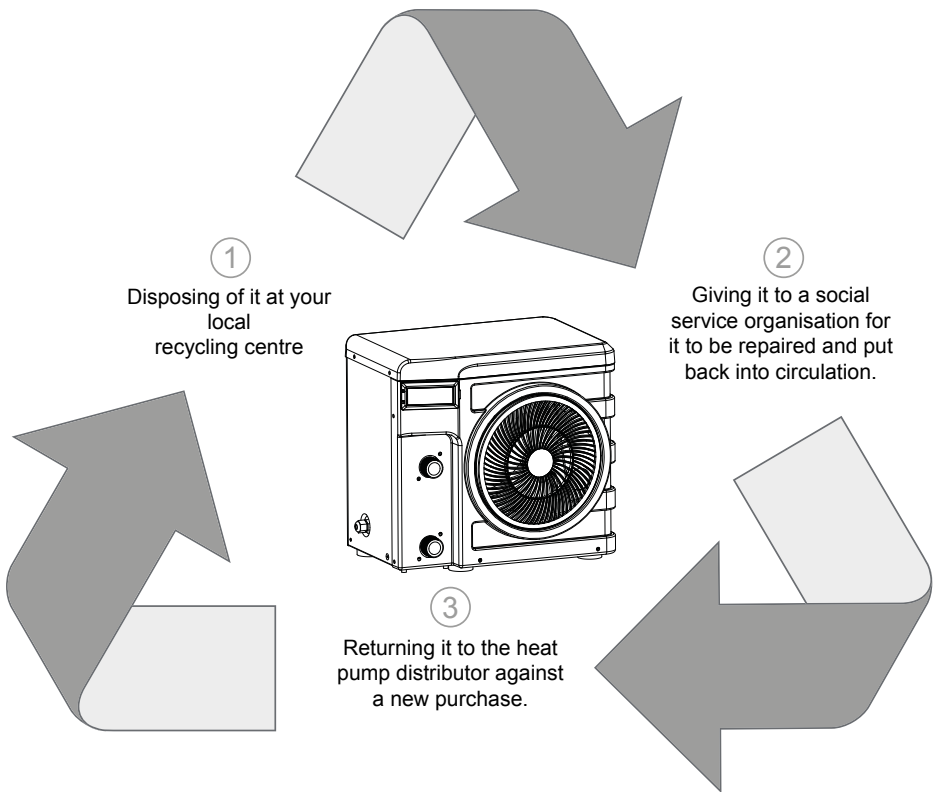
# 8. Recycling

## 8.1 Recycling the heat pump

Your heat pump has reached the end of its life and you wish to dispose of it or to replace it. Do not throw it in the rubbish bin.

A heat pump must be disposed of separately with a view to its reuse, recycling or upgrading. It contains substances that are potentially hazardous to the environment but which will be eliminated or neutralized by recycling.

**YOU HAVE THREE SOLUTIONS:**



# 9. Warranty

## 9.1 General warranty conditions

The Poolstar Company guarantees the original owner against defective materials and faults in the manufacture of the Poolex Nano heat pump for a period of two (2) years.

The compressor is guaranteed for a period of five (5) years.

The titanium tube heat exchanger has a period of fifteen (15) years guarantee against chemical corrosion, except for frost damage.

The condenser's other components are guaranteed for two (2) years.

The warranty becomes effective on the date of the first invoice.

The warranty does not apply in the following cases:

- Malfunction or damage arising from an installation, usage or repair that is not in compliance with the safety instructions.
- Malfunction or damage arising from a chemical agent that is unsuitable for the pool.
- Malfunction or damage arising from conditions that are unsuitable for the equipment's purposes of use.
- Damage arising from negligence, accident or force majeure.
- Malfunction or damage arising from the use of unauthorized accessories.

Repairs undertaken during the warranty period must be approved prior to being carried out by an authorized technician. The warranty shall be null and void if the repair to the equipment is carried out by a person who is not authorized by the Poolstar company.

The guaranteed parts shall be replaced or repaired at Poolstar's discretion. Defective parts must be returned to our workshops to be covered during the warranty period. The warranty does not cover labor costs or unauthorized replacements. The return of the defective part is not covered by the warranty.

Dear Sir/Madam,

**A question ? A problem ? Or simply register your guarantee, find us on our website:**

**<http://support.poolex.fr/>**

We thank you for your trust in our products.

Enjoy your swimming!

Your details may be treated in accordance with the Data Protection Act of 6 January 1978 and will not be divulged to any third party.

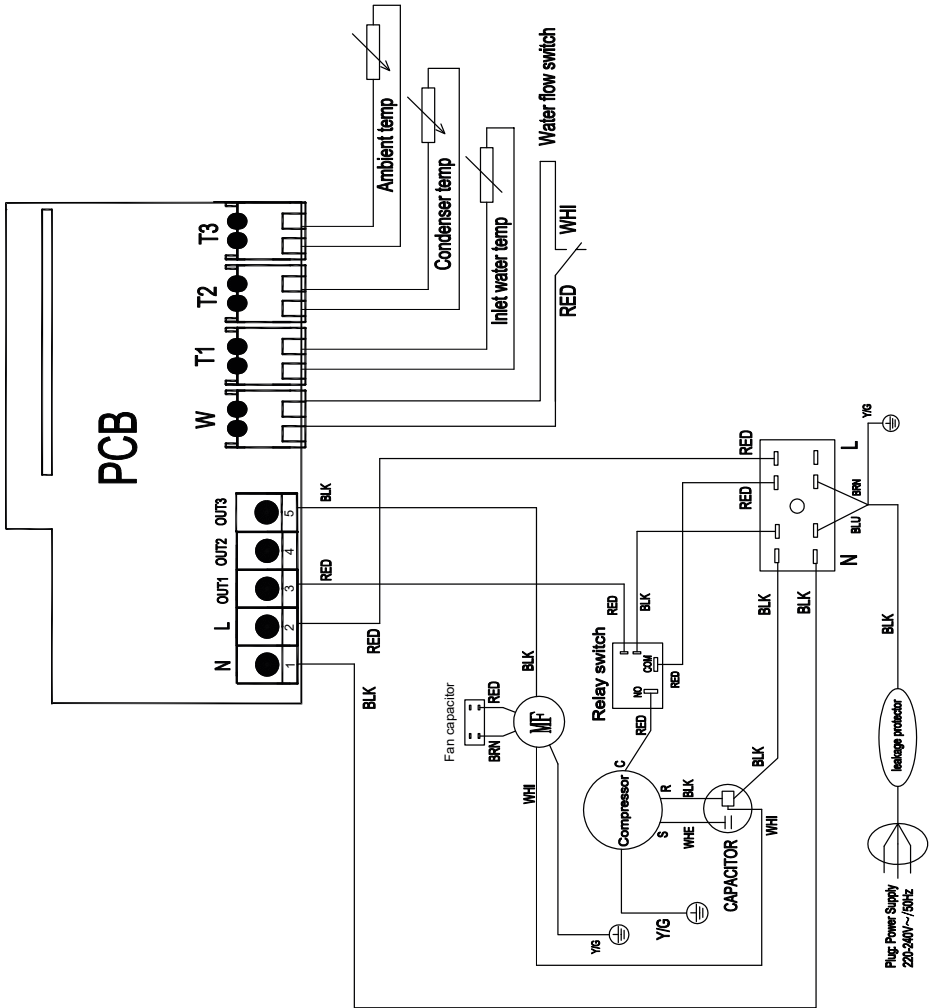
### **WARNING:**

**The contractual warranty cannot be validated with the installer or Poolstar unless your product has been registered on our website.**

# A. Appendices / Anhänge / Bijlage

## A.1 Wiring diagrams / Schaltpläne / Bedringschema

EN



# BITTE AUFMERKSAM LESEN



Diese Wärmepumpe enthält ein brennbares Kältemittel R32.

Eingriffe in den Kältemittelkreislauf sind ohne gültige Genehmigung verboten.

Vor Arbeiten am Kältemittelkreislauf sind folgende Vorsichtsmaßnahmen für sicheres Arbeiten erforderlich.

## 1. Arbeitsablauf

Die Arbeiten müssen nach einem kontrollierten Verfahren durchgeführt werden, um das Risiko des Vorhandenseins von brennbaren Gasen oder Dämpfen während der Ausführung der Arbeiten zu minimieren.

## 2. Allgemeiner Arbeitsbereich

Alle Personen in dem Gebiet müssen über die Art der laufenden Arbeiten informiert werden. Vermeiden Sie Arbeiten in einem begrenzten Bereich. Der Bereich um den Arbeitsbereich sollte geteilt und abgesichert werden. Besondere Aufmerksamkeit sollte auf nahe gelegene Flammen- oder Wärmequellen gelegt werden.

## 3. Überprüfung der Anwesenheit von Kältemittel

Der Bereich sollte vor und während der Arbeit mit einem geeigneten Kältemitteldetektor überprüft werden, um sicherzustellen, dass kein potentiell brennbares Gas vorhanden ist. Stellen Sie sicher, dass das verwendete Lecksuchgerät für brennbare Kältemittel geeignet ist, dh es erzeugt keine Funken, ist ordnungsgemäß abgedichtet oder hat innere Sicherheit.

## 4. Vorhandensein eines Feuerlöschers

Wenn an dem Kühlgerät oder einem zugehörigen Teil heiße Arbeiten durchgeführt werden sollen, müssen entsprechende Feuerlöschgeräte vorhanden sein. Installieren Sie einen Trockenpulver- oder CO<sub>2</sub>-Feuerlöscher in der Nähe des Arbeitsbereichs.

## 5. Keine Quelle von Flamme, Hitze oder Funken

Es ist absolut verboten, eine Wärmequelle, Flamme oder Funken in unmittelbarer Nähe von einem oder mehreren Teilen oder Rohren zu verwenden, die ein brennbares Kältemittel enthalten oder enthalten haben. Alle Zündquellen, einschließlich des Rauchens, müssen ausreichend weit vom Installations-, Reparatur-, Ausbau- und Entsorgungsort entfernt sein. Während dieser Zeit kann ein entflammbares Kältemittel in die Umgebung freigesetzt werden. Vor Beginn der Arbeiten sollte die Umgebung des Geräts überprüft werden, um sicherzustellen, dass keine Entflammbarkeit besteht. «Nichtraucher» -Schilder müssen gepostet werden.

## 6. Belüfteter Bereich

Stellen Sie sicher, dass sich der Bereich im Freien befindet oder ausreichend belüftet ist, bevor Sie an dem System arbeiten oder heiße Arbeiten ausführen. Während der Dauer der Arbeiten muss eine gewisse Belüftung aufrechterhalten werden.

## 7. Kontrollen von Kühlgeräten

Wenn elektrische Komponenten ersetzt werden, müssen sie für den vorgesehenen Zweck und die entsprechenden Spezifikationen geeignet sein. Nur die Teile des Herstellers können verwendet werden. Wenden Sie sich im Zweifelsfall an den technischen Service des Herstellers.

Die folgenden Kontrollen sollten auf Anlagen mit brennbaren Kältemitteln angewendet werden:

- Die Größe der Ladung richtet sich nach der Größe des Raumes, in dem die Räume mit dem Kältemittel installiert sind;

- Belüftung und Lüftungsöffnungen funktionieren ordnungsgemäß und sind nicht behindert;

- Wenn ein indirekter Kühlkreislauf verwendet wird, muss auch der Sekundärkreislauf überprüft werden.

- Die Markierung am Gerät bleibt sichtbar und lesbar. Unleserliche Zeichen und Zeichen müssen korrigiert werden;

- Kühlleitungen oder -komponenten werden an einer Stelle installiert, an der es unwahrscheinlich ist, dass sie einer Substanz ausgesetzt sind, die Kältemittel enthaltende Komponenten korrodieren könnte

## 8. Überprüfung von Elektrogeräten

Reparatur und Wartung von elektrischen Komponenten müssen erste Sicherheitsprüfungen und Bauteilprüfungen beinhalten. Wenn ein Defekt vorliegt, der die Sicherheit beeinträchtigen könnte, sollte keine Stromversorgung an den Stromkreis angeschlossen werden, bis das Problem behoben ist.

Die ersten Sicherheitsüberprüfungen müssen Folgendes umfassen:

- Dass die Kondensatoren entladen sind: Dies muss auf eine sichere Weise geschehen, um die Möglichkeit von Funken zu vermeiden;

- Während des Beladens, Rückgewinnens oder Spülens des Kältemittel-Gassystems sind keine elektrischen Komponenten oder Leitungen freigelegt;

- Es besteht eine Kontinuität der Erdung,t



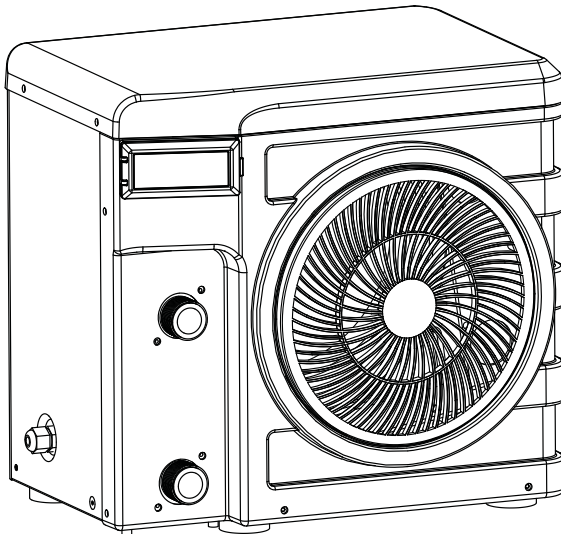
# Danksagung

*Sehr geehrter Kunde,*

*Vielen Dank für Ihren Kauf und das damit verbundene Vertrauen in unsere Produkte.*

*Unsere Produkte sind das Ergebnis einer jahrelangen Forschungsarbeit auf dem Gebiet der Konstruktion und Fertigung von Schwimmbecken-Wärmepumpen. Wir haben den Anspruch, Ihnen ein qualitativ hochwertiges Produkt mit hervorragenden Leistungseigenschaften zu liefern.*

*Die vorliegende Anleitung wurde mit größter Sorgfalt erstellt und soll Ihnen dabei helfen, die Vorzüge Ihrer Poolex-Wärmepumpe bestmöglich zu nutzen.*





# BITTE AUFMERKSAM LESEN

**Die vorliegenden Installationsanweisungen sind ein integraler Bestandteil des Produkts. Sie müssen dem Installateur ausgehändigt und vom Nutzer aufbewahrt werden.**

**Falls Sie die Anleitung verlieren sollten, verweisen wir auf die Website:**

**[www.poolex.de](http://www.poolex.de)**

Alle in der vorliegenden Anleitung enthaltenen Anweisungen und Empfehlungen müssen sorgfältig gelesen und zur Kenntnis genommen werden, da sie wichtige Informationen zur sicheren Handhabung und Bedienung der Wärmepumpe beinhalten. **Bewahren Sie diese Anleitung an einem leicht zugänglichen Ort auf, damit Sie auch in Zukunft problemlos darauf zurückgreifen können.**

**Die Installation muss von qualifiziertem Fachpersonal** unter Einhaltung der geltenden Vorschriften und der Anweisungen des Herstellers durchgeführt werden. Eine unsachgemäße Installation kann Verletzungen von Personen oder Tieren sowie mechanische Schäden nach sich ziehen, für die der Hersteller in keiner Weise haftbar gemacht werden kann.

**Nach dem Auspacken der Wärmepumpe überprüfen Sie bitte den Inhalt auf etwaige Schäden. Überzeugen Sie sich außerdem davon, dass der auf dem Manometer angezeigte Druck über 80 PSI liegt. Ist dies nicht der Fall, könnte ein Kältemittelleck vorliegen.**

Stellen Sie vor dem Anschließen der Wärmepumpe sicher, dass die Installationsbedingungen vor Ort mit den in der vorliegenden Anleitung enthaltenen Vorgaben übereinstimmen und die maximal zugelassenen Grenzwerte für das betreffende Gerät nicht überschreiten.

**Bei Ausfall und/oder Fehlfunktion muss die Wärmepumpe von der Stromversorgung getrennt werden.** Es darf auf keinen Fall versucht werden, den Fehler zu beheben. Reparaturarbeiten dürfen nur von einem zugelassenen technischen Wartungsdienst unter Verwendung von Originalersatzteilen durchgeführt werden. Die Nichteinhaltung der vorgenannten Bestimmungen kann den sicheren Betrieb der Wärmepumpe beeinträchtigen.

Zur Gewährleistung einer effizienten und ordnungsgemäßen Funktion der Wärmepumpe ist es von wesentlicher Bedeutung, dass sie regelmäßig unter Beachtung der hier enthaltenen Anweisungen gewartet wird.

Wird die Wärmepumpe verkauft oder an einen anderen Benutzer übergeben, ist stets darauf zu achten, dass dem künftigen Benutzer neben dem Gerät auch alle technischen Unterlagen ausgehändigt werden.

Die Wärmepumpe darf nur für die Beheizung von Schwimmbecken verwendet werden. Jeder sonstige Verwendungszweck gilt als ungeeignet, unsachgemäß und sogar gefährlich.

Sämtliche vertraglichen und außervertraglichen Pflichten des Herstellers/Händlers gelten nicht für Schäden, die durch Installations- oder Bedienfehler oder durch eine Nichtbeachtung der hier enthaltenen Anleitungen oder der geltenden Installationsvorschriften für das in dieser Anleitung beschriebene Gerät verursacht werden.

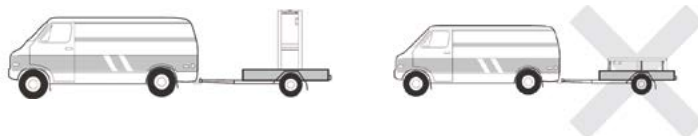
<b>1. Allgemeines</b> .....	<b>4</b>
1.1 Allgemeine Lieferbedingungen .....	4
1.2 Sicherheitshinweise .....	4
1.3 Wasseraufbereitung .....	5
<b>2. Beschreibung</b> .....	<b>6</b>
2.1 Lieferumfang .....	6
2.2 Allgemeine Merkmale .....	6
2.3 Technische Daten .....	7
2.4 Abmessungen .....	8
2.5 Explosionsdarstellung .....	9
<b>3. Installation</b> .....	<b>10</b>
3.1 Aufstellort .....	10
3.2 Installationsschema .....	11
3.3 Hydraulikanschluss .....	11
3.4 Elektroanschluss .....	11
<b>4. Verwendung</b> .....	<b>12</b>
4.1 Bedienfeld .....	12
4.2 Heizbetrieb .....	13
4.3 Statuswerte und erweiterte Einstellungen .....	14
<b>5. Betrieb</b> .....	<b>16</b>
5.1 Betrieb .....	16
<b>6. Wartung und Pflege</b> .....	<b>17</b>
6.1 Wartung, Pflege und Einwinterung .....	17
<b>7. Reparaturen</b> .....	<b>18</b>
7.1 Betriebsstörungen und Fehler .....	18
<b>8. Recycling</b> .....	<b>19</b>
8.1 Recyceln der Wärmepumpe .....	19
<b>9. Garantie</b> .....	<b>20</b>
9.1 Allgemeine Garantiebedingungen .....	20
<b>A. Anhänge</b> .....	<b>A</b>
A.1 Schaltpläne .....	A

# 1. Allgemeines

## 1.1 Allgemeine Lieferbedingungen

Der Versand der Ware erfolgt frachtfrei und einschließlich Verpackung auf Risiko und Gefahr des Empfängers.

Der Empfänger muss eine Sichtprüfung durchführen, um eventuell an der Wärmepumpe entstandene Transportschäden (Kühlsystem, Abdeckplatten, Schaltkasten, Montagerahmen) zu identifizieren. Etwaige Transportschäden sind auf dem Lieferschein des Spediteurs schriftlich zu vermerken. Eine entsprechende Bestätigung muss innerhalb von 48 Stunden per Einschreiben an den Spediteur gesendet werden.



Das Gerät muss stets in senkrechter Position auf einer Palette sowie in der Originalverpackung gelagert und transportiert werden. Wird das Gerät in waagerechter Position abgestellt oder transportiert, warten Sie bitte mindestens 24 Stunden, bevor Sie es einschalten.

## 1.2 Sicherheitshinweise



**WICHTIGER HINWEIS:** Bitte lesen Sie die Sicherheitshinweise aufmerksam durch, bevor Sie das Gerät verwenden. Die nachstehenden Anweisungen sind sicherheitsrelevant und müssen zwingend beachtet werden.

### *Installation und Wartung*

Installation, Inbetriebnahme, Wartung und Reparaturen dürfen nur von einer entsprechend qualifizierten Fachkraft unter Einhaltung der geltenden Normen durchgeführt werden.

Vor der Bedienung oder Durchführung von Arbeiten (Installation, Inbetriebnahme, Verwendung, Wartung) muss sich die verantwortliche Person mit allen im Installationshandbuch der Wärmepumpe enthaltenen Anweisungen sowie mit den technischen Daten vertraut machen.

Das Gerät darf keinesfalls in der Nähe von Wärmequellen, brennbaren Stoffen oder dem Frischluft-eintritt eines Gebäudes aufgestellt werden.

Sofern das Gerät nicht in einem Bereich mit beschränktem Zutritt aufgestellt wird, muss ein Schutzgitter um die Wärmepumpe angebracht werden.

Während Installation, Wartung oder Reparaturen nicht auf die Rohrleitungen treten, da es andernfalls zu schweren Verbrennungen kommen kann.

Um schwere Verbrennungen zu vermeiden, muss die Wärmepumpe vor der Durchführung von Arbeiten am Kühlsystem ausgeschaltet und mehrere Minuten gewartet werden, bevor die Temperatur- und Drucksensoren angebracht werden.

Im Zuge der Wartung der Wärmepumpe ist der Kältemittel-Füllstand zu überprüfen.

Es muss überprüft werden, ob die Druckschalter für geringen und hohen Druck korrekt an das Kühlsystem angeschlossen sind und den Schaltkreis unterbrechen, wenn sie während der jährlichen Leckageinspektion des Geräts ausgelöst werden.

Die Kühlsystemkomponenten sind auf Anzeichen von Korrosion und Ölflecken zu prüfen.

# 1. Allgemeines

## *Verwendung*

Während der Ventilator in Betrieb ist, darf er keinesfalls berührt werden, da es andernfalls zu schwere Verletzungen kommen kann.

Sorgen Sie dafür, dass die Wärmepumpe für Kinder unzugänglich ist, um schwere Verletzungen durch die Rotoren des Wärmetauschers zu vermeiden.

Starten Sie das Gerät niemals, wenn sich kein Wasser im Schwimmbecken befindet oder wenn die Umwälzpumpe nicht läuft.

Überprüfen Sie monatlich die Wasserdurchflussmenge, und reinigen Sie ggf. den Filter.

## *Reinigung*

Schalten Sie die Stromversorgung des Geräts aus.

Schließen Sie die Ventile für den Wassereinlass und -auslass.

Führen Sie keine Gegenstände in den Einlass und Auslass für Luft und Wasser ein.

Das Gerät darf nicht mit Wasser abgespült werden.

## *Reparatur*

Arbeiten am Kühlsystem müssen unter Einhaltung der geltenden Sicherheitsbestimmungen durchgeführt werden.

Hardtlötarbeiten müssen von einem ausgebildeten Schweißer durchgeführt werden.

Defekte Kühlsystemkomponenten dürfen nur gegen Ersatzteile ausgetauscht werden, die von unserer technischen Abteilung zertifiziert wurden.

Die Rohrleitungen dürfen nur gegen Kupferrohre gemäß der Norm NF EN12735-1 ausgetauscht werden.

Drucktests zur Leckageerkennung:

Um Brand- und Explosionsgefahr zu vermeiden, darf niemals Sauerstoff oder Trockenluft verwendet werden.

Stattdessen sind trockener Stickstoff oder eine Mischung aus Stickstoff und Kältemittel einzusetzen.

Der Prüfdruck auf Nieder- und Hochdruckseite sollte nicht mehr als 42 bar betragen.

## **1.3 Wasseraufbereitung**

Poolex-Wärmepumpen für Schwimmbecken sind mit allen Arten von Wasseraufbereitungssystemen kompatibel.

Es muss jedoch sichergestellt werden, dass die Wasseraufbereitungsanlage (Dosierpumpe für Chlor, pH, Brom und/oder Salzwasser-Chlorinator) innerhalb des Hydraulikkreises nach dem Heizsystem installiert wird.

**Um die Abnutzung Ihrer Wärmepumpe zu minimieren, sollte der pH-Wert des Wassers zwischen 6,9 und 8,0 liegen.**

# 2. Beschreibung

## 2.1 Lieferumfang

- ✓ Wärmepumpe Poolex Nano Action
- ✓ Hydraulische Anschlüsse für Wasserzu- und -ablauf Durchmesser 32 / 38mm
- ✓ Installations- und Gebrauchsanleitung
- ✓ **4 Vibrationsdämpfer**

## 2.2 Allgemeine Merkmale

Merkmale der Poolex-Wärmepumpe:

- ◆ Zertifizierung gemäß CE- und RoHS-Richtlinie.
- ◆ Hohe Energieeffizienz mit bis zu 80 % weniger Verbrauch im Vergleich zu einem konventionellen Beheizungssystem.
- ◆ Ökologisches, umweltfreundliches Kältemittel R410A mit hoher Kälteleistung.
- ◆ Zuverlässiger und leistungsstarker branchenführender Kompressor.
- ◆ Verdampfer mit großer Wärmeaustauschfläche aus hydrophil beschichtetem Aluminium, der den Betrieb bei niedrigen Temperaturen ermöglicht.
- ◆ Benutzerfreundliche, intuitive Bedienfeld.
- ◆ Gehäuse aus höchst widerstandsfähigem Material mit UV-beständiger und wartungsfreundlicher Oberfläche.
- ◆ Geräuscharm

# 2. Beschreibung

## 2.3 Technische Daten

		3 kW	4 kW	5 kW
Luft <sup>(1)</sup> 26°C Wasser <sup>(2)</sup> 26°C	Heizleistung (W)	3 010	4 200	5 010
	Leistungsaufnahme (W)	540	760	910
	<b>COP (Leistungszahl)</b>	<b>5,61</b>	<b>5,50</b>	<b>5,50</b>
Luft <sup>(1)</sup> 15°C Wasser <sup>(2)</sup> 26°C	Heizleistung (W)	2 200	3 100	4 030
	Leistungsaufnahme (W)	490	690	900
	<b>COP (Leistungszahl)</b>	<b>4,51</b>	<b>4,50</b>	<b>4,50</b>
Stromversorgung	220-240V ~ 50Hz			
Max. Leistung (W)	900	1 200	1 500	
Maximalstrom (A)	3,99	5,32	6,65	
Heiztemperaturbereich	15°C ~ 40°C			
Betriebsbereich	8°C ~ 43°C			
Abmessungen L×B×H (mm)	385 x 400 x 280			
Gewicht (kg)	17	24	26	
Verpackungsmaße L×B×H (mm)	415 x 460 x 370			
Verpackungsgewicht (kg)	19	28	30	
Schalldruckpegel 10m (dBA) <sup>(3)</sup>	<32	<35	<36	
Hydraulikanschluss (mm)	PVC 32 / 38mm			
Wärmetauscher	PVC tank and titanium heating coil			
Min. Wasserdurchflussmenge (m³/h)	2	2	2,5	
Kompressortyp	Rotierend			
Kältemittel	R32			
Kältemittel-Fassungsvermögen (kg)	0,18	0,3	0,35	
GWP	675			
CO2 equivalent	0,122	0,203	0,337	
IP-Bewertung der Wasserbeständigkeit	IPX4			
Kurzschlussverlust (mCE)	0,8			
Max. Beckenvolumen (m³) <sup>(4)</sup>	≤21	≤28	≤35	
Steuerkasten	Steuerbildschirm mit Hintergrundbeleuchtung			
Modus	Heizung			

Die technischen Daten unserer Wärmepumpen sind nur zu Informationszwecken gedacht. Wir behalten uns das Recht vor, daran ohne Vorankündigung Änderungen vorzunehmen.

<sup>1</sup> Umgebungstemperatur der Luft

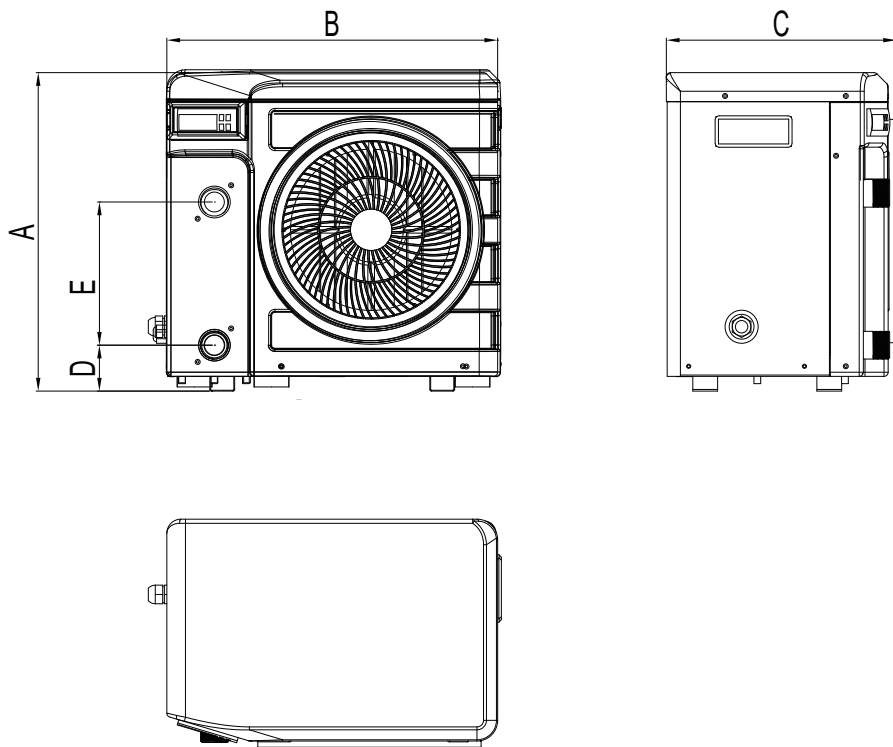
<sup>2</sup> Anfängliche Wassertemperatur

<sup>3</sup> Lärmbelastung bei 10 m Entfernung gemäß Richtlinien EN ISO 3741 und EN ISO 354

<sup>4</sup> Berechnet für einen in den Boden eingelassenen, mit Luftpolsterfolie abgedeckten Privatpool.

# 2. Beschreibung

## 2.4 Abmessungen



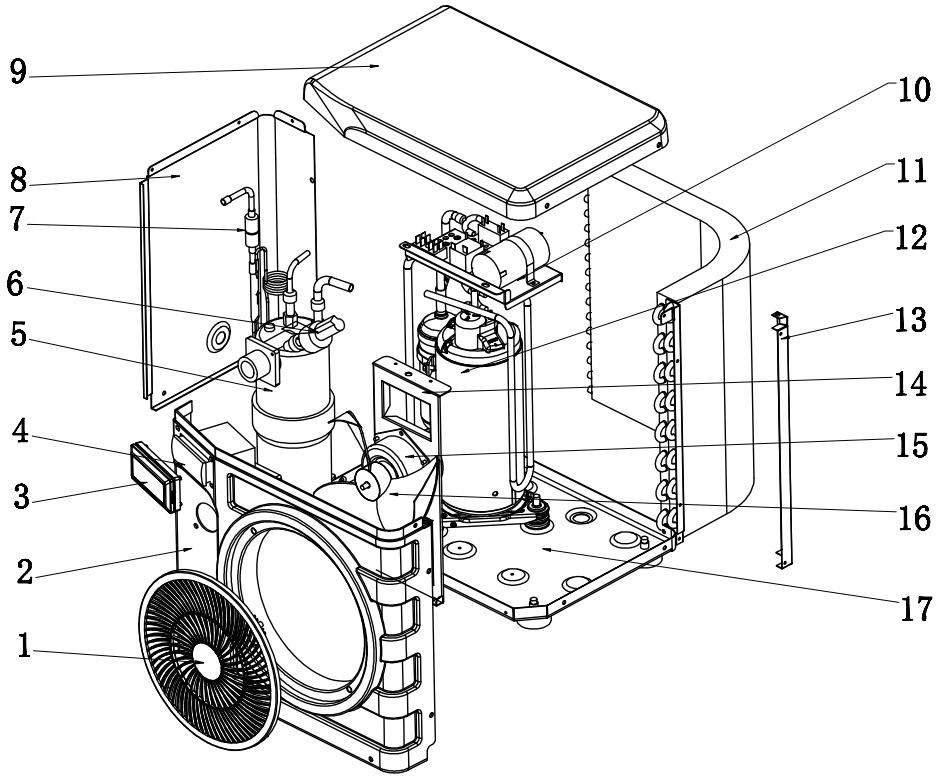
Abmessungen in mm

Nano Action 3 kW / 4 kW / 5 kW	
A	385
B	400
C	280
D	52
E	180



# 2. Beschreibung

## 2.5 Explosionsdarstellung



DE

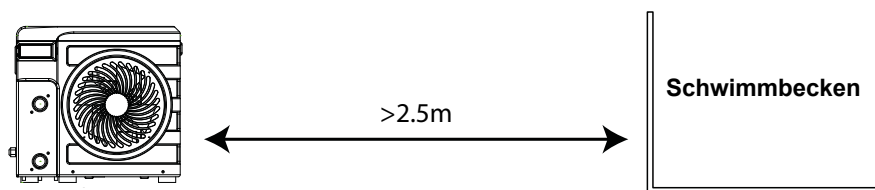
- 1. Ventilator-Schutzgitter
- 2. Frontplatte
- 3. Bedienfeld
- 4. Schalttafel
- 5. Wärmetauscher
- 6. Durchflusssensor
- 7. Strömungsschalter
- 8. Abdeckplatte links
- 9. Deckplatte
- 10. Elektroschaltkasten
- 11. Verdampfer
- 12. Kompressor
- 13. Montagerahmen
- 14. Ventilator-Rahmenkonstruktion
- 15. Ventilator-Motor
- 16. Ventilator-Rotor
- 17. Gestell

# 3. Installation

**Die Wärmepumpe ist sehr einfach zu installieren, nur Wasser und Strom müssen während der Installation angeschlossen werden.**

## 3.1 Aufstellort

Die Wärmepumpe sollte mindestens 2,5 Meter vom Schwimmbecken entfernt sein.



**Halten Sie bei der Wahl des Aufstellorts Ihrer Wärmepumpe bitte die folgenden Richtlinien ein.**

1. Das Gerät muss an seinem Aufstellort leicht zugänglich sein, damit es bequem bedient und gewartet werden kann.
2. Es muss auf dem Erdboden installiert und nach Möglichkeit auf einem ebenen Betonboden laud werden. Stellen Sie sicher, dass der Boden ausreichend stabil ist und das Gewicht des Geräts tragen kann.
3. Achten Sie darauf, dass das Gerät ausreichend belüftet wird, dass die Luftausblasöffnung nicht zur Fensterseite benachbarter Gebäude hin ausgerichtet ist und dass kein Zurückströmen der Abluft möglich ist. Darüber hinaus ist rund um das Gerät ein ausreichender Abstand für Reinigungs- und Wartungsarbeiten vorzusehen.
4. Das Gerät darf nicht in der Nähe von Hochfrequenzgeräten installiert werden oder in Bereichen, in denen Öle, entzündliche Gase, Korrosion verursachende Produkte oder schwefelhaltige Substanzen vorliegen.
5. Installieren Sie die Wärmepumpe nicht in der Nähe von Straßen oder Wegen, um eine Verunreinigung des Geräts durch Schlammgespritzer zu vermeiden.
6. Um die Lärmbelästigung möglichst gering zu halten, sollten Sie die Wärmepumpe so installieren, dass sie nicht in Richtung lärmsensibler Bereiche ausgerichtet ist.
7. Stellen Sie das Gerät nach Möglichkeit außerhalb der Reichweite von Kindern auf.



Abmessungen in mm

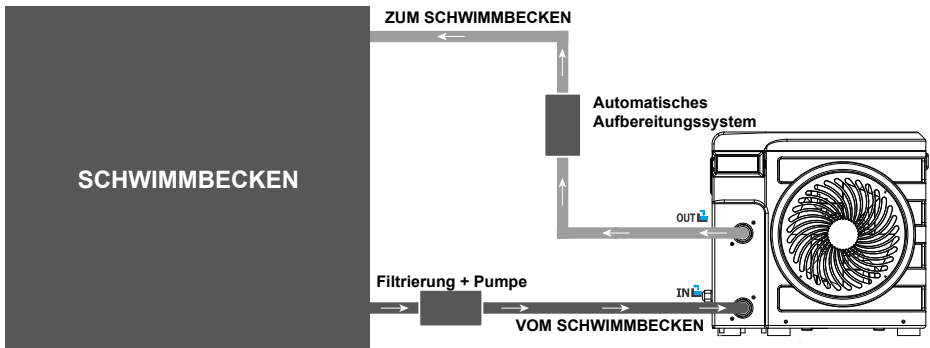
**Platzieren Sie keine Gegenstände in weniger als 1,50 m Entfernung vor der Wärmepumpe.**

**Lassen Sie seitlich und hinter der Wärmepumpe einen Sicherheitsabstand von 30 cm.**

**Platzieren Sie keine Gegenstände unmittelbar über oder vor dem Gerät!**

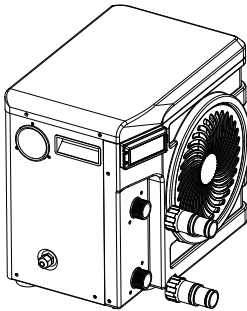
# 3. Installation

## 3.2 Installationsschema



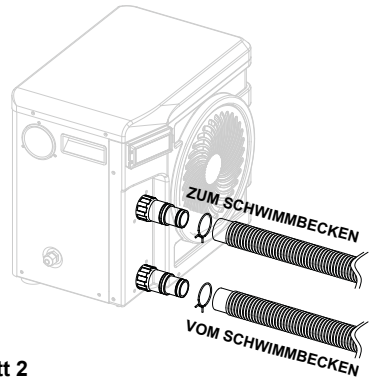
Der der Wärmepumpe vorgeschaltete Filter muss regelmäßig gereinigt werden, damit das zirkulierende Wasser sauber ist und etwaige Funktionsprobleme aufgrund einer Verschmutzung oder Verstopfung des Filters vermieden werden.

## 3.3 Hydraulikanschluss



### Schritt 1

Schrauben Sie die Anschlüsse an der Wärmepumpe fest



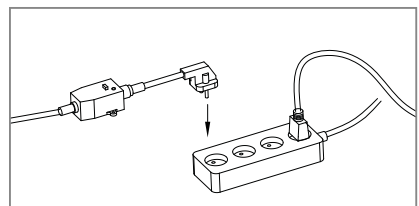
### Schritt 2

Schließen Sie das Wasserauslassrohr und das Wasseransaugrohr an

## 3.4 Elektroinstallation

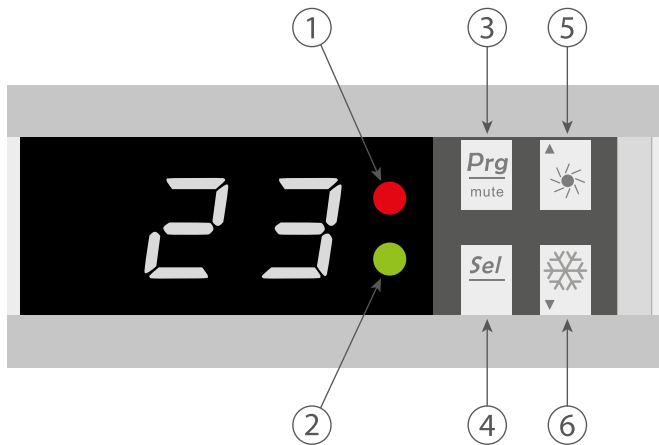
In der Steckdose der Wärmepumpe ist ein 10mA Differentialschutzschalter eingebaut. Stellen Sie vor dem Anschließen der Wärmepumpe sicher, dass die Steckdose ordnungsgemäß geerdet ist.

Die Filterpumpe muss gleichzeitig mit der Wärmepumpe arbeiten. Verbinden Sie sie daher mit dem selben Stromkreis.



# 4. Verwendung

## 4.1 Bedienfeld



- 1. Power LED
- 2. LED auftauen

- 3. An / aus Schalter
- 4. Selektieren

- 5. +
- 6. -

# 4. Verwendung

## 4.2 Heizbetrieb



**WICHTIGER HINWEIS:** Stellen Sie eingangs sicher, dass die Filterpumpe korrekt funktioniert.

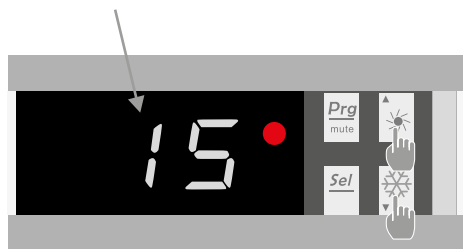
**Schritt 1:** Drücken Sie , um die Pumpe einzuschalten.

**Schritt 2:** Wählen Sie mithilfe der Pfeile  und  die gewünschte Temperatur aus.

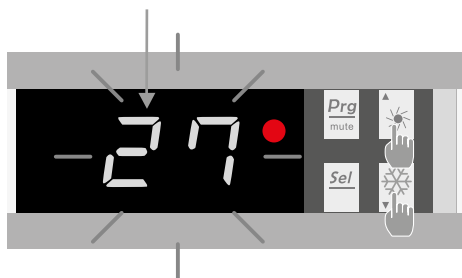
BEISPIEL:

Wenn die aktuelle Temperatur 15°C beträgt, ist der Standardwert 27°C und die gewünschte Temperatur ist 30°C.

Aktuelle-Temperatur



Soll-Temperatur



### Wissenswertes zur Funktion des Heizbetriebs

Wenn die Temperatur des zulaufenden Wassers geringer oder gleich der festgelegten Temperatur (Soll-Temperatur) - X °C ist, schaltet die Wärmepumpe in den Heizbetrieb. Der Kompressor stoppt, wenn die Temperatur des zulaufenden Wassers größer oder gleich der festgelegten Temperatur (Soll-Temperatur)

#### Angaben zum Einstellbereich X

X : variabler Parameter von 1° bis 15°C, Standardeinstellung bei 3°C. (Parameter N°6)

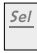
# 4. Verwendung

## 4.3 Statuswerte und erweiterte Einstellungen




**WICHTIGER HINWEIS:** Dieser Vorgang dient dazu, künftige Wartungs- und Reparaturarbeiten zu erleichtern. Die Standardeinstellungen sollten nur von erfahrenem Fachpersonal geändert werden.

Die Systemparameter können über die Fernbedienung überprüft und eingestellt werden. Befolgen Sie hierzu die nachfolgenden Schritte.

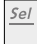
**Schritt 1 :** Drücken Sie  so oft, bis sich das Gerät im Modus zur Bestätigung der Einstellungen befindet.


**Schritt 2 :** Drücken Sie  und  um die Einstellungen zu sehen.

**Schritt 3 :** Drücken Sie  um die zu ändernde Einstellung auszuwählen.

*HINWEIS: Bestimmte Einstellungen können nicht geändert werden. Weitere Informationen können Sie der Parametertabelle entnehmen.*

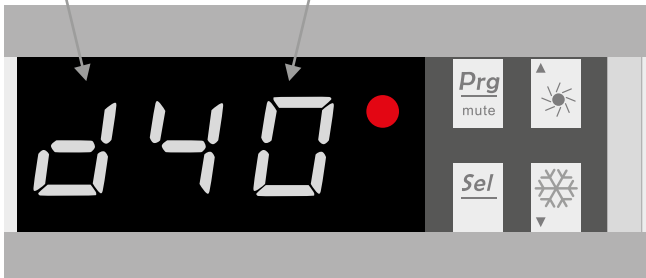
**Schritt 4 :** Drücken Sie  und  um den Parameterwert einzustellen.

**Schritt 5 :** Drücken Sie  um den neuen Wert festzulegen.

**Schritt 6 :** Drücken Sie  um zur Hauptanzeige zurückzukehren.

Parameter d

Value 40



# 4. Verwendung

Parametertabelle

Nr.	Beschreibung	Einstellbereich	Werkseinstellung	Anmerkungen
A	Wasservorlauftemperatur	-19~99°C		Ist-Werte
b	Wasserrücklauftemperatur	-19~99°C		Ist-Werte
c	Umgebungstemperatur der Luft	-19~99°C		Ist-Werte
d	Standardtemperatur	15~40°C	27°C	Einstellbar
E	Auto-Aktivierungszeit des Abtauvorgangs	10~80 min	40 min	Einstellbar
F	Maximale Dauer des Abtauvorgangs	10~40 min	30 min	Einstellbar
H	Einstellung der Temperaturabweichung für den Neustart	1~10°C	3°C	Einstellbar
J	Automatischer Neustart	0 = OFF 1 = ON	1	Einstellbar
O	Frostschutz - niedrige Lufttemperatur	0~15°C	8°C	Einstellbar
P	Evaporator temperature to enter defrosting mode	-19°C~0°C	-3°C	Einstellbar
U	Verdampfertemperatur zum Verlassen des Abtaumodus	1~30°C	20°C	Einstellbar
t	Reserviert - nicht ändern			Reserviert

DE

# 5. Betrieb

## 5.1 Betrieb

### *Betriebsbedingungen*


**Damit die Wärmepumpe normal funktioniert, muss die Umgebungstemperatur der Luft zwischen 8°C und 43 °C liegen.**

### *Empfehlungen für das Vorgehen vor dem Einschalten*

Gehen Sie folgendermaßen vor, bevor Sie die Wärmepumpe in Betrieb nehmen:

- ✓ Überprüfen Sie, ob das Gerät standsicher ist.
- ✓ Kontrollieren Sie die ordnungsgemäße Funktion Ihrer Elektroinstallation.
- ✓ Stellen Sie sicher, dass die Hydraulikanschlüsse dicht sind und kein Wasser austritt.
- ✓ Entfernen Sie alle unnötigen Gegenstände und Werkzeuge aus dem Bereich um das Gerät.

### *Verwendung*

1. Schließen Sie den Netzstecker des Geräts an.
2. Aktivieren Sie die Umwälzpumpe.
3. Aktivieren Sie den Stromversorgungsschutz des Geräts (Differenzschalter befindet sich am Stromkabel).
4. Aktivieren Sie die Wärmepumpe durch einmaliges Drücken auf .
5. Wählen Sie die gewünschte Temperatur.
6. Der Kompressor der Wärmepumpe schaltet sich kurz danach ein.

Nun brauchen Sie nur darauf zu warten, dass die Soll-Temperatur erreicht wird.



**WICHTIGER HINWEIS:** Unter normalen Bedingungen kann eine geeignete Wärmepumpe das Wasser in einem Schwimmbecken um 1 bis 2 °C pro Tag erwärmen. Es ist daher durchaus normal, wenn Sie keinen Temperaturunterschied im System spüren können, während die Wärmepumpe arbeitet.

Um Wärmeverlust zu vermeiden, muss ein beheiztes Schwimmbecken abgedeckt werden.



# 6. Wartung und Pflege

## 6.1 Wartung, Pflege und Einwinterung



**WICHTIGER HINWEIS: Vor Beginn von Wartungsarbeiten am Gerät müssen Sie das Gerät unbedingt von der Stromversorgung trennen.**

### Reinigung

Das Gehäuse der Wärmepumpe muss mit einem feuchten Tuch gereinigt werden. Tenside und andere Haushaltsreiniger können die Gehäuseoberfläche beschädigen und ihre Eigenschaften beeinträchtigen.

Der Verdampfer auf der Rückseite der Wärmepumpe muss vorsichtig mit einem Staubsauger mit weichem Bürstenaufsatz abgesaugt werden.

### Jährliche Wartung

Folgende Arbeiten sind mindestens einmal pro Jahr von einer qualifizierten Person vorzunehmen:

- ✓ Sicherheitsprüfungen.
- ✓ Überprüfung der Integrität der elektrischen Kabel.
- ✓ Überprüfung der Erdungsanschlüsse.
- ✓ Überprüfung von Manometer und Kältemittel

### Einwinterung

Ihre Wärmepumpe ist so konzipiert, dass sie bei Regenwetter und Frost mit einer speziell entwickelten Frostschutztechnologie funktioniert. Es wird jedoch nicht empfohlen, das Gerät für längere Zeit draußen zu lassen (z. B. im Winter). Bewahren Sie die Wärmepumpe nach dem Ablassen des Pools für den Winter an einem trockenen Ort auf.

# 7. Dépannage



**WICHTIGER HINWEIS:** Unter normalen Bedingungen kann eine geeignete Wärmepumpe das Wasser in einem Schwimmbecken um 1 bis 2 °C pro Tag erwärmen. Es ist daher durchaus normal, wenn Sie keinen Temperaturunterschied im System spüren können, während die Wärmepumpe arbeitet.  
Um Wärmeverlust zu vermeiden, muss ein beheiztes Schwimmbecken abgedeckt werden.

## 7.1 Betriebsstörungen und Fehler

Im Falle eines Problems zeigt der Bildschirm der Wärmepumpe anstelle der Temperaturanzeigen einen Fehlercode an. Die möglichen Fehlerursachen sowie die zu ergreifenden Maßnahmen entnehmen Sie bitte der unten Tabelle.

Fehlercode	Fehler	Mögliche Ursachen	Maßnahmen
P1	Störung des Sensors für die Wasservorlauftemperatur	Sensor ist nicht richtig angeschlossen	Schließen Sie den Sensor neu an.
		Sensor defekt	Wechseln Sie den Sensor aus.
		Steuerkasten defekt	Wechseln Sie die Steuerkasten aus
P3	Störung Verdampfer Temperatursensor	Ursachen identisch mit P1	Maßnahmen identisch mit P1
P5	Störung des Sensors für die Außentemperatur		
P7	Frostschutz	Schutz wird aktiviert, wenn die Umgebungstemperatur zu gering ist	Kein Benutzereingriff erforderlich
E3	Störung des Durchflusssensors	Nicht genügend Wasser im Wärmetauscher 1	Überprüfen Sie die Funktion des Wasserkreislaufs
		Durchflusssensor defekt	Wechseln Sie den Wasserdurchflussschalterschütz aus
		Steuerkasten defekt	Wechseln Sie die Steuerkasten aus
Die Wärmepumpe funktioniert nicht		Nicht genügend Wasser im Wärmetauscher 1	Überprüfen Sie die Funktion des Wasserkreislaufs
		Steuerkasten defekt	Wechseln Sie die Steuerkasten aus

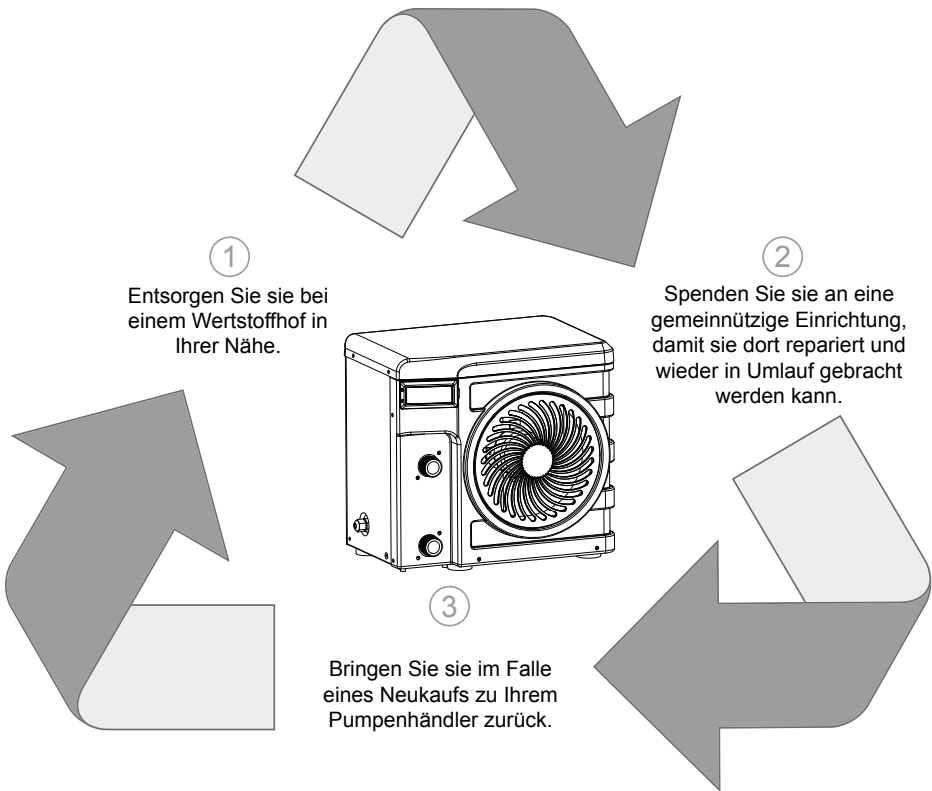
# 8. Recycling

## 8.1 Recyceln der Wärmepumpe

Ihre Wärmepumpe hat das Ende ihres Produktlebenszyklus erreicht. Sie möchten sie nun abgeben oder ersetzen. Bitte entsorgen Sie sie nicht über den Hausmüll.

Die Wärmepumpe muss getrennt entsorgt werden, um der Wiederverwendung, dem Recycling oder einer Nachrüstung zugeführt werden zu können. Sie enthält potenziell umweltschädliche Substanzen, die durch das Recycling eliminiert oder neutralisiert werden.

### SIE HABEN DREI MÖGLICHKEITEN:



# 9. Garantie

## 9.1 Allgemeine Garantiebedingungen

Die Firma Poolstar übernimmt gegenüber dem Erstkäufer für einen Zeitraum von drei (2) Jahren eine Garantie für sämtliche Material- und Fertigungsfehler an der Wärmepumpe Poolex Nano Action.

Für den Kompressor beträgt die Garantiezeit fünf (5) Jahre.

Für den Wärmetauscher aus Titan Garantiezeit fünfzehn (15) Jahre gegen chemische Korrosion, mit Ausnahme von Frostschäden, gewährt.

Für alle anderen Komponenten des Kondensators wird eine Garantie von drei (2) Jahren gewährt.

Die Garantielaufzeit beginnt ab Rechnungsdatum.

In folgenden Fällen gilt die Garantie nicht:

- Fehlfunktionen oder Schäden infolge einer unter Missachtung der Sicherheitshinweise ausgeführten Installation, Nutzung oder Reparatur
- Fehlfunktionen oder Schäden infolge eines ungeeigneten chemischen Milieus des Schwimmbeckens
- Fehlfunktionen oder Schäden infolge einer unsachgemäßen und zweckfremden Verwendung des Geräts
- Schäden infolge von Fahrlässigkeit, Havarie oder höherer Gewalt Fehlfunktionen oder Schäden infolge der Verwendung von nicht zugelassenen Zubehörteilen

Sämtliche Reparaturen, die während der Garantiezeit anfallen, müssen vor Ausführung genehmigt und dürfen nur von einem zugelassenen Techniker vorgenommen werden. Wird eine Reparatur durch eine unbefugte, nicht von der Firma Poolstar zugelassene Person ausgeführt, erlischt die Garantie.

Die von der Garantieleistung abgedeckten Bauteile werden im Ermessen der Firma Poolstar ersetzt oder repariert. Für eine Kostenübernahme müssen defekte Teile innerhalb der Garantiezeit an unser Werk zurückgeschickt werden. Die Garantieleistung erstreckt sich nicht auf die Lohnkosten oder die Kosten von nicht autorisierten Ersatzteilen. Die Kosten für die Rücksendung des fehlerhaften Bauteils sind nicht durch die Garantie abgedeckt.

Sehr geehrter Kunde/sehr geehrte Kundin,

**La preghiamo di dedicare qualche minuto alla compilazione del modulo di registrazione della garanzia che troverà nel nostro sito Internet:**

**<http://support.poolex.de/>**

Wir danken Ihnen für Ihr Vertrauen in unsere Produkte.

Viel Spaß beim Schwimmen!

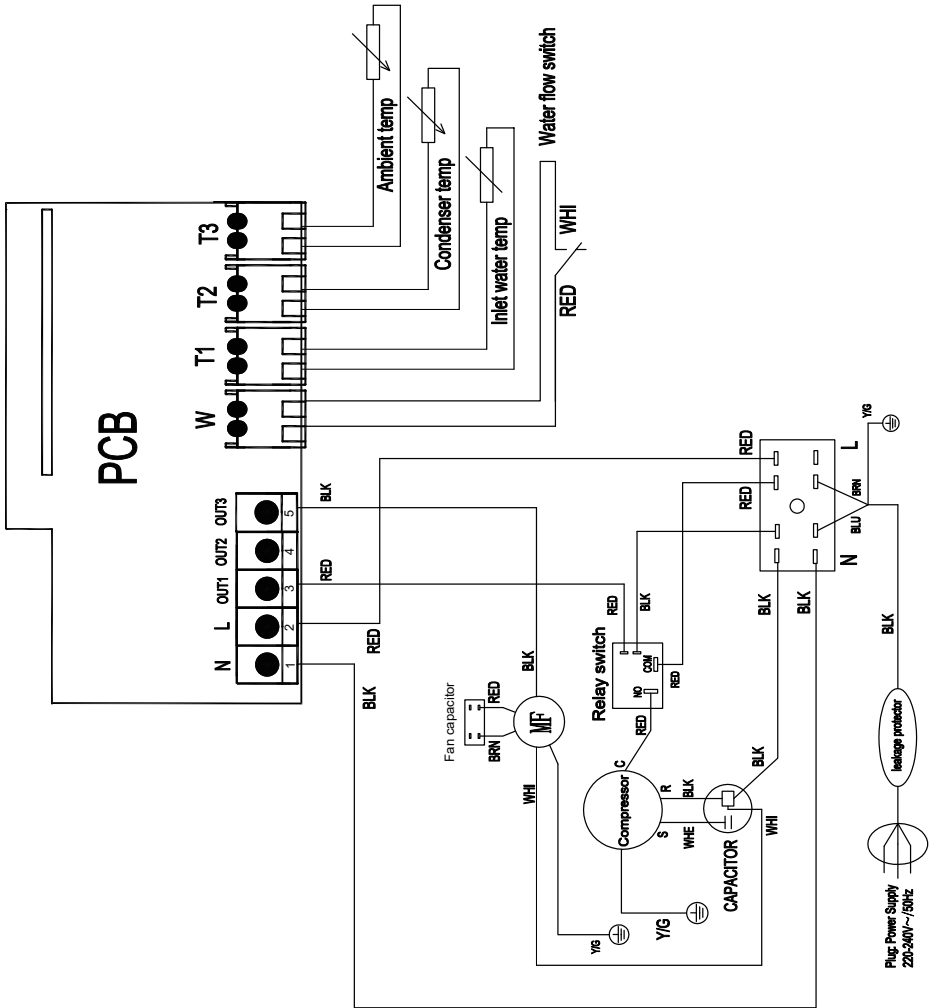
Ihre Angaben unterliegen dem Data Protection Act vom 6. Januar 1978 und werden nicht an Dritte weitergegeben.

### WICHTIGER HINWEIS:

Die vertragliche Garantie kann nur dann bei Ihrem Installateur oder bei Poolstar geltend gemacht werden, wenn Sie Ihr Produkt auf unserer Website registriert haben.

# A. Anhänge

## A.1 Schaltpläne



# Waarschuwingen



**Deze warmtepomp bevat een ontvlambaar koelmiddel R32.**

**Elke ingreep in het koudemiddelcircuit is verboden zonder een geldige autorisatie.**

**Voordat u aan het koelcircuit werkt, zijn de volgende voorzorgsmaatregelen nodig voor veilig werken.**

## **1. Werkprocedure**

Het werk moet volgens een gecontroleerde procedure worden uitgevoerd om het risico van de aanwezigheid van brandbare gassen of dampen tijdens de uitvoering van de werken tot een minimum te beperken.

## **2. Algemeen werkgebied**

Alle personen in het gebied moeten worden geïnformeerd over de aard van het onderhanden werk. Werk niet in een afgesloten ruimte. Het gebied rond het werkgebied moet worden verdeeld, beveiligd en er moet speciale aandacht worden besteed aan nabijgelegen bronnen van vuur of warmte.

## **3. Verificatie van de aanwezigheid van koelmiddel**

Het gebied moet voor en tijdens het werk worden gecontroleerd met een geschikte koelmiddeldetector om ervoor te zorgen dat er geen potentieel ontvlambaar gas is. Zorg ervoor dat de gebruikte lekdetectieapparatuur geschikt is voor ontvlambare koelmiddelen, dwz dat deze geen vonken produceren, goed zijn afgedicht of een interne veiligheid hebben.

## **4. Aanwezigheid van brandblusser**

Als warm werk moet worden uitgevoerd op de koelapparatuur of een bijbehorend onderdeel, moet geschikte brandblusapparatuur beschikbaar zijn. Installeer een droog poeder of CO<sub>2</sub> brandblusser in de buurt van het werkgebied.

## **5. Geen bron van vuur, hitte of vonk**

Het is volledig verboden om een warmtebron, vlam of vonk te gebruiken in de directe nabijheid van een of meer delen of buizen die een ontvlambaar koelmiddel bevatten of hebben bevat. Alle ontstekingsbronnen, inclusief roken, moeten voldoende ver verwijderd zijn van de plaats van installatie, reparatie, verwijdering en verwijdering, gedurende welke tijd een brandbaar koelmiddel in de omgeving kan vrijkomen. Voordat met het werk wordt begonnen, moet de omgeving van de apparatuur worden gecontroleerd om er zeker van te zijn dat er geen risico op ontvlambaarheid bestaat. «Niet roken» -borden moeten worden geplaatst.

## **6. Geventileerde ruimte**

Zorg ervoor dat het gebied zich in de open lucht bevindt of dat het goed geventileerd is voordat u aan het systeem werkt of warm werk verricht. Bepaalde ventilatie moet tijdens de duur van het werk worden gehandhaafd.

## **7. Regeling van koelapparatuur**

Wanneer elektrische componenten worden vervangen, moeten deze geschikt zijn voor het beoogde doel en de juiste specificaties. Alleen de onderdelen van de fabrikant kunnen worden gebruikt. Neem bij twijfel contact op met de technische dienst van de fabrikant.

De volgende controles moeten worden toegepast op installaties met behulp van brandbare koudemiddelen:

- De grootte van de lading is in overeenstemming met de grootte van de ruimte waarin de kamers met het koelmiddel zijn geïnstalleerd;

- Ventilatie en ventilatieopeningen werken naar behoren en worden niet belemmerd;

- Als een indirect koelcircuit wordt gebruikt, moet ook het secundaire circuit worden gecontroleerd.

- De markering op de apparatuur blijft zichtbaar en leesbaar. Onleesbare tekens en tekens moeten worden gecorrigeerd;

- Koelleidingen of -componenten worden geïnstalleerd in een positie waar het onwaarschijnlijk is dat ze worden blootgesteld aan een stof die componenten kan aantasten die koelmiddel bevatten

## **8. Verificatie van elektrische apparaten**

Reparatie en onderhoud van elektrische componenten moeten initiële veiligheidscontroles en inspectieprocedures voor onderdelen omvatten. Als er een defect is dat de veiligheid in gevaar zou kunnen brengen, mag er geen stroomvoorziening op het circuit worden aangesloten totdat het probleem is opgelost.

De eerste beveiligingscontroles moeten het volgende omvatten:

• Dat de condensatoren worden ontladen: dit moet op een veilige manier worden gedaan om de mogelijkheid van vonken te voorkomen;

• Er worden geen elektrische componenten of bedrading blootgesteld tijdens het laden, terugwinnen of spoelen van het koelgas-systeem;

• Er is continuïteit van de aarding.

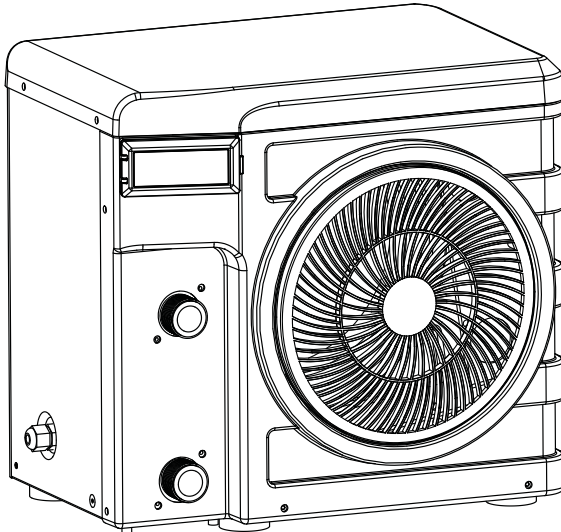
# Dank u

*Geachte klant,*

*Dank u voor de aanschaf van deze pomp en voor het gestelde vertrouwen in onze producten.*

*Onze producten zijn het resultaat van vele jaren van onderzoek op het gebied van ontwerp en productie van warmtepompen voor zwembaden. Ons doel is altijd om u te voorzien van een buitengewoon hoogwaardig product.*

*Deze handleiding is zorgvuldig samengesteld, zodat u optimaal kunt profiteren van uw Poolex warmtepomp.*





# LEES DEZE HANDLEIDING ZORGVULDIG

**Deze installatie-instructies vormen een integraal onderdeel van het product. Ze moeten beschikbaar gesteld worden aan de installateur en door de gebruiker worden bewaard**

**Indien de handleiding onverhoopt verloren gaat, raadpleeg dan de website:**

**[www.poolex.nl](http://www.poolex.nl)**

De aanwijzingen en aanbevelingen in deze handleiding moeten zorgvuldig gelezen en begrepen worden, aangezien ze waardevolle informatie bevatten over de veilige hantering en het gebruik van de pomp. **Bewaar deze handleiding voor toekomstig gebruik op een gemakkelijk te bereiken plaats.**

**De installatie moet worden uitgevoerd door een gekwalificeerde professional** in overeenstemming met de geldende voorschriften en de aanwijzingen van de fabrikant. Een installatiefout kan lichamelijk letsel aan personen en dieren veroorzaken, alsmede mechanische schade waarvoor de fabrikant in geen enkel geval aansprakelijk kan worden gesteld.

**Controleer de warmtepomp na het uitpakken zodat u eventuele beschadigingen kunt rapporteren. Controleer tevens of de op de manometer aangegeven druk hoger is dan 80 psi. Zo niet, dan kan dit wijzen op gelekte koelvloeistof.**

Voordat de warmtepomp wordt aangesloten moet worden gecontroleerd of de informatie in deze handleiding compatibel is met de installatie-instructies en of de voor dit specifieke product toegestane maximumwaarden niet worden overschreden.

**In het geval van een defect en/of storing van de warmtepomp, moet de stroomtoevoer worden losgekoppeld** en moet niet worden geprobeerd om de fout te repareren.

Reparaties moeten uitsluitend worden uitgevoerd door een erkende technische serviceorganisatie met gebruik van originele vervangingsonderdelen. Nalaten om zich te houden aan de bovengenoemde bepalingen kan een negatief effect hebben op de veilige werking van de warmtepomp.

Om de efficiëntie en goede werking van de pomp te garanderen, is het belangrijk dat regelmatig onderhoud wordt uitgevoerd in overeenstemming met de gegeven instructies.

Als de warmtepomp wordt verkocht of overgedragen, moet altijd gezorgd worden dat alle technische documentatie tezamen met het product aan de nieuwe eigenaar wordt overgedragen.

Deze warmtepomp is uitsluitend geschikt voor het verwarmen van een zwembad. Elk ander gebruik moet als ontoepasselijk, incorrect of zelfs als gevaarlijk worden beschouwd.

Alle contractuele of niet-contractuele aansprakelijkheid van de fabrikant/distributeur komt te vervallen in het geval van schade die is veroorzaakt door installatie- of operationele fouten, of door het niet naleven van de instructies in deze handleiding of van de huidige installatienormen die van toepassing zijn op de in dit document beschreven uitrusting.



# Inhoud

<b>1. Algemeen</b>	<b>4</b>
1.1 Algemene leveringsvoorwaarden	4
1.2 Veiligheidsinstructies	4
1.3 Waterbehandeling	5
<b>2. Beschrijving</b>	<b>6</b>
2.1 Inhoud van de verpakking	6
2.2 Algemene eigenschappen	6
2.3 Technisch specificaties	7
2.4 Afmetingen	8
2.5 Opengewerkte tekening	9
<b>3. Installatie</b>	<b>10</b>
3.1 Locatie	10
3.2 Indeling van installatie	11
3.3 Hydraulische aansluiting	11
3.4 Elektrische aansluiting	11
<b>4. Gebruik</b>	<b>12</b>
4.1 Bedieningspaneel	12
4.2 Functionerings keuze	12
4.3 Koel functie	12
4.4 Verwarming functie	13
4.5 Statuswaarden en geavanceerde instellingen	14
<b>5. Bediening</b>	<b>16</b>
5.1 Bediening	16
<b>6. Onderhoud en service</b>	<b>17</b>
6.1 Onderhoud, service en winteropslag	17
<b>7. Reparaties</b>	<b>18</b>
7.1 Storingen en defecten	18
<b>8. Recyclen</b>	<b>19</b>
8.1 De warmtepomp recyclen	19
<b>9. Garantie</b>	<b>20</b>
9.1 Algemene garantievoorwaarden	20
<b>A. Bijlage</b>	<b>A</b>
A.1 Bedradingschema	A

# 1. Algemeen

## 1.1 Algemene leveringsvoorwaarden

Alle uitrusting wordt verzonden voor het eigen risico van de geadresseerde, zelfs in het geval van franco verzending en verpakking.

De persoon die verantwoordelijk is voor het in ontvangst nemen van de uitrusting moet deze visueel controleren op eventuele beschadigingen tijdens het transport (koelsysteem, panelen, elektrische regelkast, frame). Hij/zij moet opmerkingen over schade tijdens het transport vermelden op de vrachtbrief en dit per aangetekende brief binnen 48 uur melden aan de vervoerder.



De uitrusting moet altijd verticaal op een pallet en in de oorspronkelijke verpakking opgeslagen en getransporteerd worden. Als de uitrusting horizontaal wordt opgeslagen of getransporteerd, moet met het inschakelen ten minste 24 uur worden gewacht.

## 1.2 Veiligheidsinstructies



**WAARSCHUWING: Lees de veiligheidsinstructies zorgvuldig alvorens de uitrusting te gebruiken. De volgende instructies zijn essentieel voor de veiligheid en moeten daarom strikt worden opgevolgd.**

### *Tijdens installatie en onderhoud*

Installatiewerkzaamheden, opstarten, onderhoud en reparaties moeten uitsluitend worden uitgevoerd door een gekwalificeerde persoon en overeenkomstig de geldende normen.

Alvorens de uitrusting te gebruiken of daaraan werkzaamheden te verrichten (installatie, ingebruikname, gebruik, onderhoud), moet de verantwoordelijke persoon op de hoogte zijn van alle instructies in de installatiehandleiding van de pomp en van alle technische specificaties.

De uitrusting mag in geen geval dichtbij een hittebron, brandbare materialen of de luchtinlaatopening van een gebouw worden geïnstalleerd.

Als de installatie niet plaatsvindt op een plaats met beperkte toegang, moet een beschermrooster voor de warmtepomp worden aangebracht.

Loop tijdens de installatie, reparatie of onderhoud niet op het leidingwerk, om ernstige brandwonden te voorkomen.

Om ernstige brandwonden te voorkomen moet alvorens werkzaamheden te verrichten aan het koelsysteem de warmtepomp worden uitgeschakeld en moet enkele minuten worden gewacht alvorens de temperatuur- en druksensors te plaatsen.

Controleer tijdens het onderhoud het koelvloeistofniveau van de warmtepomp.

Controleer tijdens de jaarlijkse lekkagecontrole of de hoge- en lagedrukschakelaars correct zijn aangesloten op het koelsysteem en of ze het elektrisch circuit uitschakelen als ze getript worden.

Controleer of er geen sporen van corrosie of olievlekken aanwezig zijn rond de onderdelen met koelvloeistof.

# 1. Algemeen

## *Tijdens gebruik*

Om ernstig letsel te voorkomen mag de ventilator terwijl deze in bedrijf is nooit worden aangeraakt.

Houd de pomp buiten het bereik van kinderen om ernstig letsel door de bladen van de warmtewisselaar te voorkomen.

Start de uitrusting nooit als het zwembad leeg is of als de circulatiepomp is gestopt.

Controleer maandelijks het waterdebiet en reinig het filter, indien nodig.

## *Tijdens het reinigen*

Schakel de stroomtoevoer naar de uitrusting uit.

Sluit de waterinlaat- en uitlaatkleppen.

Steek niets in de lucht- of waterinlaat- of uitlaatopeningen.

Spoel de uitrusting niet met water af.

## *Tijdens reparaties*

Voer werkzaamheden aan het koelsysteem uit volgens de geldende veiligheidsvoorschriften.

Hardsolderen moet worden gedaan door een gekwalificeerde lasser.

Gebruik voor het vervangen van een defect koelsysteemonderdeel uitsluitend onderdelen die door onze technische afdeling gecertificeerd zijn.

Voor het vervangen van leidingwerk bij reparaties mogen alleen koperen buizen worden gebruikt die voldoen aan de norm NF EN12735-1.

Bij het uitvoeren van drukproeven om lekkages op te sporen:

Gebruik nooit zuurstof of droge lucht, om brand- of ontploffingsgevaar te vermijden.

Gebruik droge stikstof of een mengsel van stikstof en koelvloeistof.

De proefdruk aan de lage en hoge zijde mag niet meer dan maximaal 42 bar bedragen.

## 1.3 Waterbehandeling

Poolx warmtepompen voor zwembaden kunnen worden gebruikt met alle soorten waterbehandelings-systemen.

Het is niettemin essentieel dat het behandelingssysteem (doseerpompen voor chloor, pH, bromine en/of zoutelektrolyse) na de warmtepomp in het hydraulisch circuit wordt geïnstalleerd.

**Om verslechtering van de warmtepomp te voorkomen moet het pH van het water tussen 6,9 en 8,0 worden gehouden.**

# 2. Beschrijving

## 2.1 Inhoud van de verpakking

- ✓ Warmtepomp Poolex Nano Action
- ✓ 2 hydraulische inlaat-/uitlaataansluitingen 32/38mm diameter
- ✓ Deze installatie- en gebruikershandleiding
- ✓ **4 antitrilrussens**

## 2.2 Algemene eigenschappen

Een Poolex-warmtepomp heeft de volgende kenmerken:

- CE-certificaat en voldoet aan de Europese RoHS-richtlijn.
- Hoge prestaties met maximaal 80% energiebesparing vergeleken met een conventioneel verwarmingssysteem.
- Schone, efficiënte en milieuvriendelijke R32-koelvloeistof.
- Betrouwbare en krachtige compressor van een bekend merk.
- Brede hydrofiele verdamper uit aluminium voor gebruik bij lage temperaturen.
- Gebruiksvriendelijk, intuïtief bedieningspaneel.
- Heavy-duty behuizing met anti-UV-behandeling en eenvoudig te onderhouden.
- Een geruisloos concept.

# 2. Beschrijving

## 2.3 Technische specificaties

		3 kW	4 kW	5 kW
Lucht <sup>(1)</sup> 26°C Water <sup>(2)</sup> 26°C	Verwarmingsvermogen (W)	3 010	4 200	5 010
	Stroomverbruik (W)	540	760	910
	<b>COP (prestatiecoëfficiënt)</b>	<b>5,61</b>	<b>5,50</b>	<b>5,50</b>
Lucht <sup>(1)</sup> 15°C Water <sup>(2)</sup> 26°C	Verwarmingsvermogen (W)	2 200	3 100	4 030
	Stroomverbruik (W)	490	690	900
	<b>COP (prestatiecoëfficiënt)</b>	<b>4,51</b>	<b>4,50</b>	<b>4,50</b>
Stroomvoorziening		220-240V ~ 50Hz		
Maximum vermogen (W)		900	1 200	1 500
Maximum stroom (A)		3,99	5,32	6,65
Bereik verwarmingstemperatuur		15°C ~ 40°C		
Werkbereik		8°C ~ 43°C		
Afmetingen L x B x H (mm)		385 x 400 x 280		
Gewicht (kg)		17	24	26
Verpakkingsafmetingen L x B x H (mm)		415 x 460 x 370		
Gewicht van verpakking (kg)		19	28	30
Geluidsdrukniveau bij 10 m (dBA) <sup>(3)</sup>		<32	<35	<36
Hydraulische aansluiting (mm)		PVC 32 / 38mm		
Warmtewisselaar		PVC-tank en titaan verwarmingsspiraal		
Min. waterdebiet (m <sup>3</sup> /u)		2	2	2,5
Type compressor		Rotierend		
Koelvloeistof		R32		
Koelvloeistofinhoud (kg)		0,18	0,3	0,35
Aard-opwarmingsvermogen - GWP		675		
Equivalent CO2		0,122	0,203	0,337
Waterdichtheid IP		IPX4		
Drukverlies (mCE)		0,8		
Max. inhoud zwembad (m <sup>3</sup> ) <sup>(4)</sup>		≤21	≤28	≤35
Bedieningspaneel		Scherm met achtergrondverlichting		
Functie		Verwarming		

De technische specificaties van onze warmtepompen zijn uitsluitend gegeven voor informatiedoeleinden. Wij behouden ons het recht voor om zonder voorafgaande kennisgeving wijzigingen aan te brengen.

<sup>1</sup> Omgevingstemperatuur

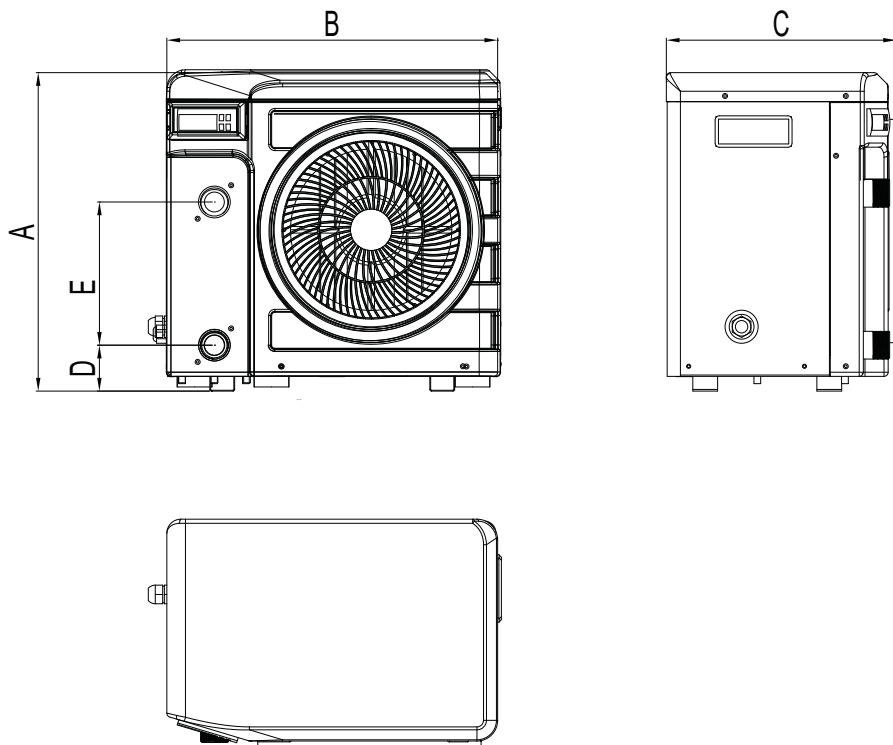
<sup>2</sup> Initiële watertemperatuur

<sup>3</sup> Geluidsniveau op 10 m afstand, conform de richtlijnen EN ISO 3741 en EN ISO 354

<sup>4</sup> Berekend voor een privézwembad in de grond, afgedekt met een noppenzeil.

## 2. Beschrijving

### 2.4 Afmetingen

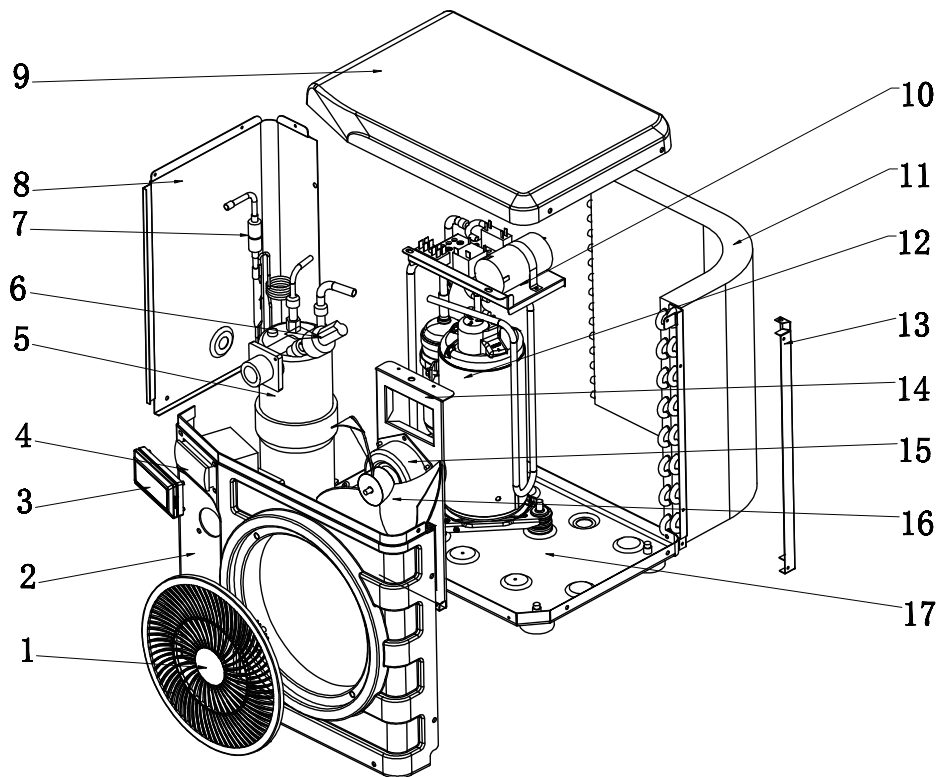


Afmetingen in mm

Nano Action 3 kW / 4 kW / 5 kW	
A	385
B	400
C	280
D	52
E	180

## 2. Beschrijving

### 2.5 Opengewerkte tekening



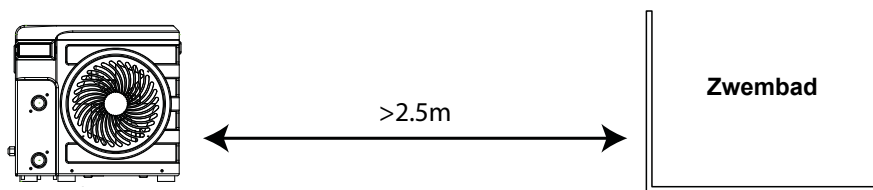
- |                                |                             |
|--------------------------------|-----------------------------|
| 1. Beschermerooster ventilator | 10. Elektrische schakelkast |
| 2. Voorpaneel                  | 11. Verdampert              |
| 3. Bedieningspaneel            | 12. Compressor              |
| 4. Bedieningspaneel            | 13. Bevestigingsconstructie |
| 5. Warmtewisselaar             | 14. Ventilatorsteun         |
| 6. Durchflussmesser            | 15. Ventilatormotor         |
| 7. Drukregelaar                | 16. Ventilatorblad          |
| 8. Linker paneel               | 17. Voetplaat               |
| 9. Bovenpaneel                 |                             |

# 3. Installatie

**De warmtepomp is zeer eenvoudig te installeren; stroomvoorziening en water is alles wat nodig is tijdens de installatie.**

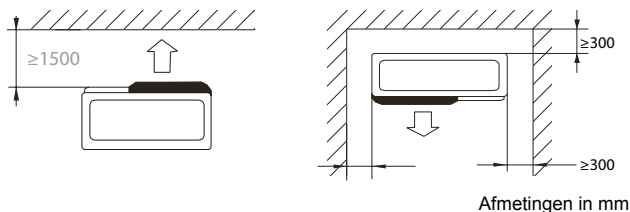
## 3.1 Locatie

De warmtepomp moet minimaal 2,5 meter van het zwembad verwijderd zijn.



**Houd u aan de volgende voorschriften voor uw keuze van de pomplocatie.**

1. De toekomstige locatie van de eenheid moet gemakkelijk bereikbaar zijn voor bediening en onderhoud.
2. De pomp moet op de grond worden geïnstalleerd, bij voorkeur plaatsen op een betonvloer. De vloer moet voldoende stabiel zijn en het gewicht van de installatie kunnen dragen.
3. Controleer of de eenheid goed geventileerd is, of de luchtuitlaatopening niet naar de ramen of naar aangrenzende gebouwen is gericht, en of de uitlaatlucht niet kan circuleren. Zorg bovendien voor voldoende ruimte rond de eenheid voor onderhoudswerkzaamheden.
4. De eenheid mag niet worden geïnstalleerd in een omgeving die is blootgesteld aan olie, brandbare gassen, corrosieve producten, zwavelverbindingen of dichtbij apparatuur met een hoge frequentie.
5. Installeer de eenheid niet dichtbij een weg of pad, om modderspatten te voorkomen.
6. Installeer de eenheid in de richting van een omgeving die het minst lawaaigevoelig is, om overlast voor burens te voorkomen.
7. Houd de eenheid zoveel mogelijk buiten het bereik van kinderen.



**Plaats niets binnen 1,50 meter vóór de warmtepomp.**

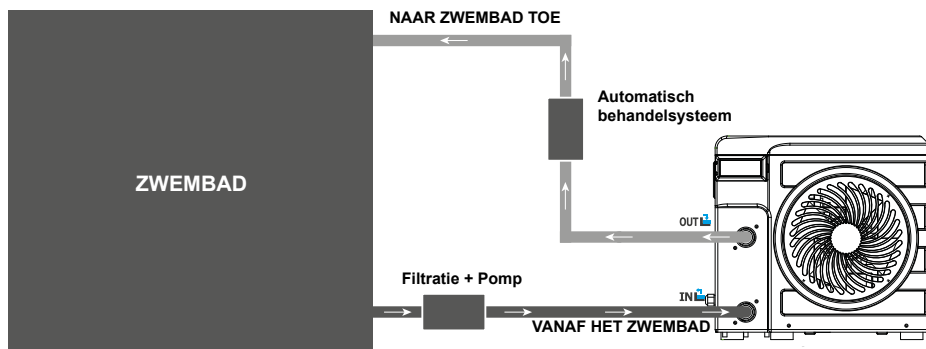
**Laat een vrije ruimte van 30 cm aan de zijkanten en achterzijde van de warmtepomp.**

**Laat geen obstakels toe boven of voor de eenheid!**



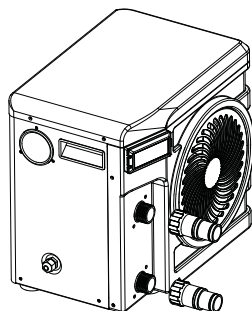
# 3. Installatie

## 3.2 Indeling van installatie

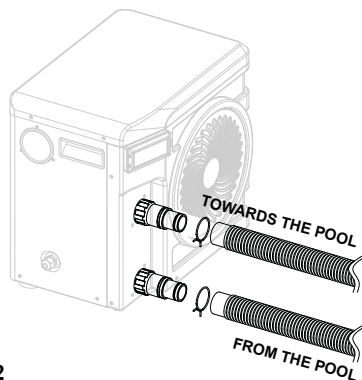


Het filter stroomopwaarts van de warmtepomp moet regelmatig worden gereinigd, zodat het water in het systeem schoon is en problemen in verband met een vervuild of verstopt filter worden voorkomen.

## 3.3 Hydraulische aansluiting



**Stap 1 :**  
Schroef de aansluitingen op de warmtepomp.

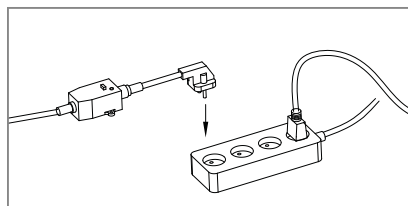


**Stap 2**  
Sluit de wateruitlaatpijp en de waterinlaatpijp aan.

## 3.4 Elektrische aansluiting

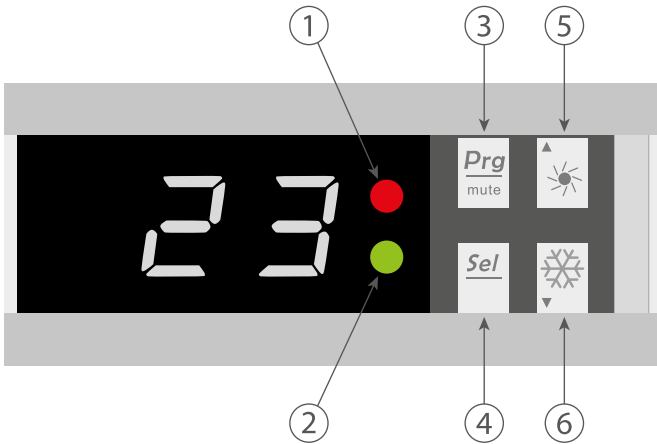
De stekker van de warmtepomp bevat een differentiële stroomonderbreker van 10 mA. Zorg voordat de warmtepomp wordt aangesloten dat de stekker geaard is.

De filterpomp moet tegelijk met de warmtepomp in werking zijn. Beide moeten daarom aangesloten zijn op hetzelfde elektrische circuit.



# 4. Gebruik

## 4.1 Bedieningspaneel



- 1. Power LED
- 2. Defrost LED

- 3. ON/OFF button
- 4. Select button


- 5. Up (+) button
- 6. Down (-) button

# 4. Gebruik

## 4.2 Verwarmingsbedrijf



**WAARSCHUWING:** Controleer alvorens te starten of de filterpomp goed functioneert.

**Stap 1 :** Druk op  om de pomp aan te zetten.

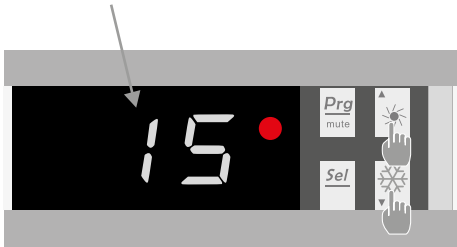
**Stap 2 :** Gebruik de knoppen  en  om de gewenste temperatuur in te stellen.

VOORBEELD:

De huidige temperatuur is 15°C, de ingestelde standaardtemperatuur is 27°, de gewenste temperatuur is 30°C.

*Huidige water-  
temperatuur*

*Gewenste  
temperatuur*



### Nuttige informatie over hoe de verwarmingsmodus werkt

Wanneer de inkomende watertemperatuur lager of gelijk is aan de gewenste temperatuur (setpoint-temperatuur) -X°C, gaat de warmtepomp over op de verwarmingsmodus. De compressor stopt wanneer de temperatuur van het inkomende water hoger of gelijk is aan de gewenste temperatuur (setpoint-temperatuur).

*Indicators voor instelbareik X*

X : instelbare parameter van 1° tot 15°C, standaardinstelling is 3°C. (Parameter nr. 6)

# 4. Gebruik

## 4.3 Statuswaarden en geavanceerde instellingen




**WAARSCHUWING:** Deze handeling dient als hulp bij het onderhoud en toekomstige reparaties. De standaardinstellingen mogen slechts door een ervaren professional worden gewijzigd.

De instellingen van het systeem kunnen via de afstandsbediening worden gecontroleerd en aangepast, door deze stappen te volgen


**Stap 1 :** Blijf drukken  totdat u de verificatiemodus voor de instellingen invoert.


**Stap 2 :** Druk op  en  om de parameters te zien.

**Stap 3 :** Druk op  om de instelling die u wilt aanpassen te selecteren.

*NB: sommige instellingen kunnen niet worden gewijzigd. Raadpleeg de tabel met instellingen voor meer informatie.*

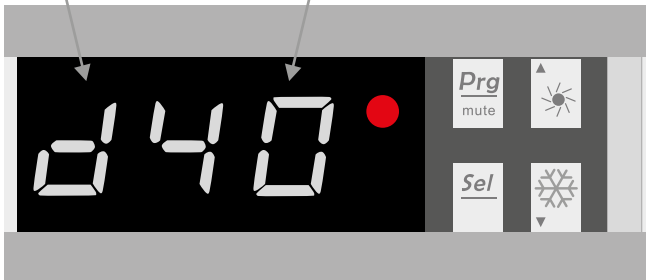
**Stap 4 :** Druk op  en  om de instelling aan te passen.

**Stap 5 :** Druk op  om de nieuwe waarde in te stellen.

**Stap 6 :** Druk op  om terug te gaan naar het hoofdscherm.

Parameter d

Value 40



# 4. Gebruik

Parametertabel

Nr.	Beschrijving	Instelbereik	Instelling af fabriek	Opmerkingen
A	Waterinlaattemperatuur	-19~99°C		Echte data
b	Wateruitlaattemperatuur	-19~99°C		Echte data
c	Omgevingstemperatuur	-19~99°C		Echte data
d	Standaardtemperatuur	15~40°C	27°C	Instelbaar
E	Automatische activeringstijd ontthooing	10~80 min	40 min	Instelbaar
F	Maximale duur ontthooing	10~40 min	30 min	Instelbaar
H	Aanpassing van temperatuurverschil voor herstarten	1~10°C	3°C	Instelbaar
J	Automatisch herstarten	0 = OFF 1 = ON	1	Instelbaar
O	Antivriesbescherming - lage luchttemperatuur	0~15°C	8°C	Instelbaar
P	Verdamper temperatuur om de ontthooimodus in te gaan	-19°C~0°C	-3°C	Verstelbaar
U	Verdamper temperatuur om de ontthooimodus te verlaten	1~30°C	20°C	Verstelbaar
t	Gereserveerd - niet wijzigen			Gereserveerd

# 5. Bediening

## 5.1 Bediening

### *Gebruiksvoorwaarden*


**Om normaal te kunnen functioneren moet de omgevingstemperatuur voor de warmtepomp tussen 8°C en 43°C zijn.**

### *Aanbevelingen vóór opstarten*

Voordat u de warmtepomp opstart moet u het volgende doen:

- ✓ Controleren of de eenheid stabiel is.
- ✓ Controleren of uw elektrische installatie goed functioneert.
- ✓ Controleren of de hydraulische aansluitingen goed vastzitten en of er geen sprake is van water-lekkage.
- ✓ Verwijder alle onnodige voorwerpen of gereedschappen rond de eenheid.

### *Bediening*

1. Sluit de stekker van de eenheid aan.
2. Activeer de circulatiepomp.
3. Activeer de beveiliging van de stroomtoevoer (verschilddrukschakelaar en stroomonderbreker).
4. Activeer de warmtepomp door één keer te drukken op .
5. Selecteer de gewenste temperatuur.
6. De compressor van de warmtepomp start kort daarna.

Vervolgens hoeft u slechts te wachten totdat de gewenste temperatuur is bereikt.



**WAARSCHUWING:** In normale omstandigheden kan de warmtepomp het water in een zwembad met 1°C tot 2°C per dag verwarmen. Het is daarom normaal om geen temperatuurverschil te kunnen voelen terwijl de warmtepomp in bedrijf is. Een verwarmd zwembad moet worden afgedekt om warmteverlies te voorkomen.

# 6. Onderhoud en service

## 6.1 Onderhoud, service en winteropslag



**WAARSCHUWING: Koppel de eenheid los van de stroomvoorziening voordat u onderhoudswerkzaamheden aan de eenheid uitvoert.**

### Reiniging

De behuizing van de warmtepomp moet met een vochtige doek worden gereinigd. Het gebruik van oplosmiddelen of andere huishoudelijke producten kan het oppervlak van de behuizing potentieel beschadigen en de eigenschappen ervan aantasten.

De verdampers aan de achterzijde van de warmtepomp moet zorgvuldig worden gereinigd met een stofzuiger waaraan een zachte borstel is bevestigd.

### Jaarlijks onderhoud

De volgende handelingen moet jaarlijks door een gekwalificeerde persoon worden verricht.

- ✓ Uitvoeren van veiligheidscontroles.
- ✓ De integriteit van de elektrische bedrading controleren.
- ✓ De aardaansluitingen controleren.
- ✓ De toestand van de manometer en de aanwezigheid van koelvloeistof controleren.

### Winteropslag

Uw warmtepomp is ontworpen voor gebruik in regenachtig weer en is bestand tegen vorst dankzij een speciaal ontworpen techniek tegen bevroering. Wij raden echter af om de pomp langdurig buiten te laten staan (bijv. de hele winter). Nadat het zwembad voor de winter is geleegd, moet de warmtepomp op een droge plaats worden opgeslagen.

# 7. Reparaties

**WAARSCHUWING:** In normale omstandigheden kan de warmtepomp het water in een zwembad met 1°C tot 2°C per dag verwarmen. Het is daarom normaal om geen temperatuurverschil te kunnen voelen terwijl de warmtepomp in bedrijf is. Een verwarmd zwembad moet worden afgedekt om warmteverlies te voorkomen.

## 7.1 Storingen en defecten

In het geval van een probleem geeft het scherm van de warmtepomp een foutcode weer in plaats van temperatuurindicaties. Raadpleeg de onderstaande tabel om te zoeken naar de oorzaken van de storing en correctiemaatregelen.

Code	Storing	Mogelijke oorzaken	Actie
P1	Waterinlaattemperatuursensor werkt niet	Sensor niet goed aangesloten	Sluit sensor opnieuw aan
		Sensor is defect	Vervang sensor
		Bedieningspaneel defect	Vervang bedieningspaneel
P3	Verdampertemperatuursensor werkt niet	Dezelfde oorzaken als onder P1	Dezelfde acties als onder P1
P5	Externe temperatuursensor werkt niet		
P7	Antivriesbescherming	Bescherming geactiveerd wegens te lage omgevingstemperatuur.	Geen interventie nodig
E3	Stroomsensor werkt niet	Onvoldoende water in warmtewisselaar	Controleer werking van het watercircuit
		Waterstroomsensor defect	Vervang waterstroomsensor
		Bedieningspaneel defect	Vervang bedieningspaneel
	De warmtepomp werkt niet	Onvoldoende water in warmtewisselaar	Controleer werking van het watercircuit
		Bedieningspaneel defect	Vervang bedieningspaneel



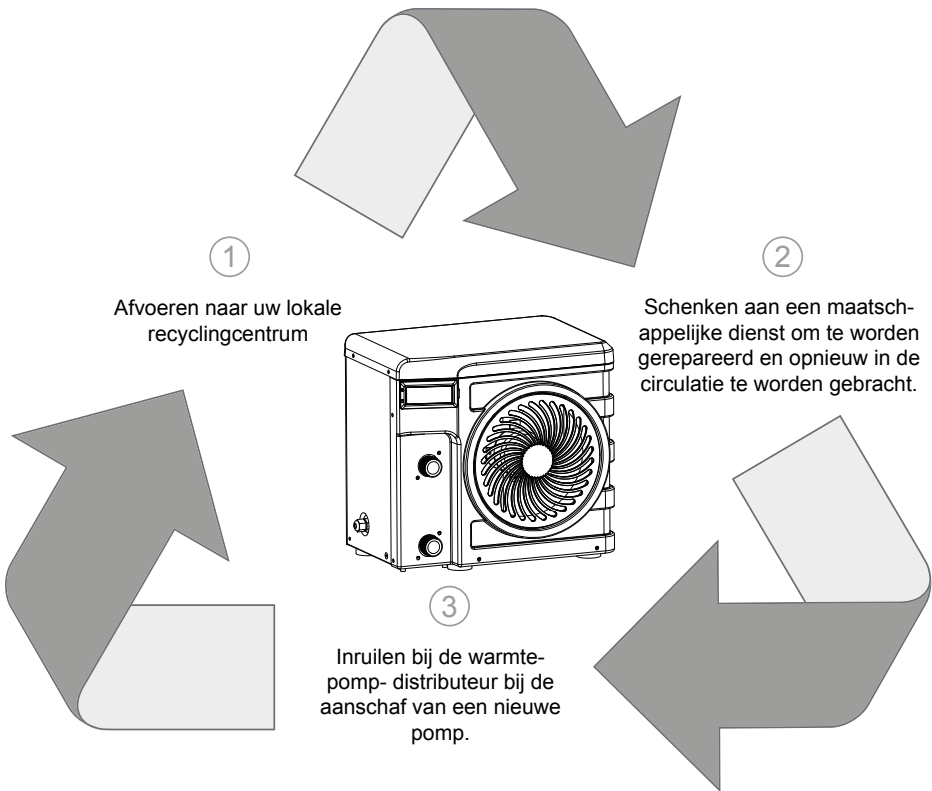
# 8. Recyclen

## 8.1 De warmtepomp recyclen

Uw warmtepomp heeft het einde van zijn levensduur bereikt en u wenst de pomp te verwijderen of te vervangen. Doe uw pomp niet bij het huishoudelijk afval.

Een warmtepomp moet afzonderlijk worden afgevoerd met het oog op hergebruik, recyclen of opwaar-deren. De pomp bevat stoffen die potentieel milieugevaarlijk zijn, maar die worden verwijderd of geneutraliseerd tijdens het recyclen.

**U HEEFT DRIE MOGELIJKE OPLOSSINGEN:**



# 9. Garantie

## 9.1 Algemene garantievoorwaarden

De Poolstar Company biedt de oorspronkelijke eigenaar op de Poolex Nano Action warmtepomp twee (2) jaar garantie tegen materiaalgebreken en fabricagefouten.

De compressor is gegarandeerd voor een periode van vijf (5) jaar.

De titaan buizenwarmtewisselaar heeft een garantie van tien (10) jaar tegen chemische corrosie, maar de garantie geldt niet in het geval van schade door bevrozing.

De overige onderdelen van de condensor zijn gegarandeerd voor een periode van twee (2) jaar.

De garantie gaat in op de datum van de eerste factuur.

De garantie is niet van toepassing in de volgende gevallen:

- Defect of schade als gevolg van installatie, gebruik of reparatie die niet in overeenstemming is met de veiligheidsinstructies.
- Defect of schade als gevolg van een chemisch middel dat ongeschikt is voor het zwembad.
- Defect of schade als gevolg van omstandigheden die niet overeenkomen met het bedoelde gebruik van de uitrusting.
- Schade als gevolg van nalatigheid, ongelukken of overmacht.
- Defect of schade als gevolg van het gebruik van ongeautoriseerde accessoires.

Reparaties tijdens de garantieperiode moeten worden goedgekeurd voordat deze door een bevoegde monteur worden uitgevoerd. De garantie komt te vervallen als de reparatie van de uitrusting wordt uitgevoerd door een persoon die niet door Poolstar wordt erkend.

De gegarandeerde onderdelen moeten naar het eigen oordeel van Poolstar worden vervangen of gerepareerd. Gedurende de garantieperiode moeten defecte onderdelen naar onze werkplaatsen worden geretourneerd. De garantie dekt geen arbeidskosten of ongeautoriseerde vervangingsonderdelen. De retourzending van het defecte onderdeel wordt niet door de garantie gedekt.

Geachte heer/mevrouw,

**Neem enkele minuten de tijd om de garantiekaart in te vullen die u kunt vinden op onze website:**

**<http://support.poolex.nl/>**

Dank u voor uw vertrouwen in onze producten.

We hopen dat u zult genieten van uw zwembad!

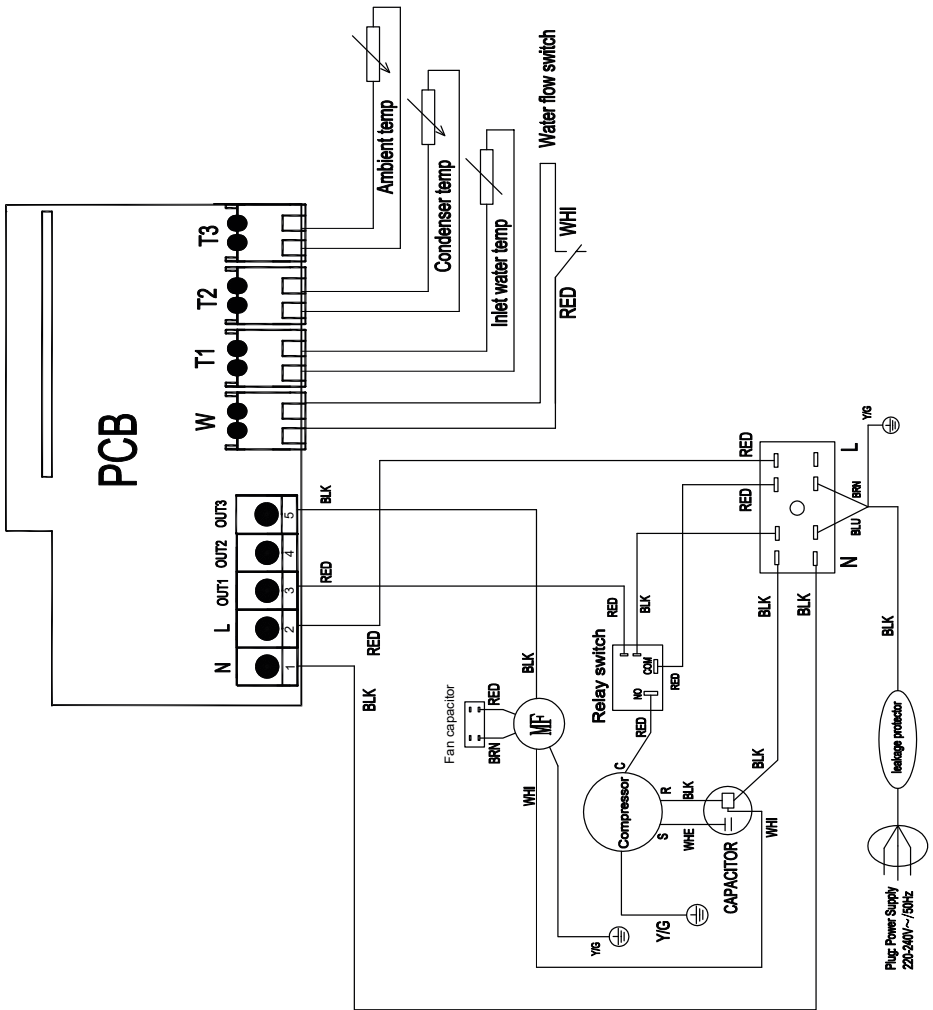
Uw gegevens zullen worden behandeld overeenkomstig met de Franse wet op de persoonsgegevens van 6 januari 1978 en worden niet aan derden doorgegeven.

### WAARSCHUWING:

**De contractuele garantie kan niet door de installateur of door Poolstar worden geverifieerd tenzij uw product op onze website is geregistreerd.**

# A. Bijlage

## A.1 Bedradingsschema



# **POOLEX**



TECHNICAL ASSISTANCE  
TECHNISCHE HILFE  
TECHNISCHE ASSISTENTIE

**[www.poolex.fr](http://www.poolex.fr)**