

Recommendations

EN

Read this manual carefully before using your sauna for the first time.

We recommend you keep it in a safe place for future reference.

- Wood is a living element, to maintain its original appearance, it is important to treat the outside of the wood against moisture. Use a saturator only on the outside of the sauna.
- Install the sauna on a perfectly flat and hard surface.
- The sauna must remain in a dry area. Do not use it near a source of water (bath, damp floor, swimming pool).
- Do not use liquid cleaning products. Disconnect the sauna before cleaning and use a wet rag (see Maintenance section).
- Protect the sauna's electrical cable to avoid it being crushed or pinched.
- Prior to replacing certain components, ensure that they are specified by the manufacturer or that they have the same features as the original parts. Incorrect replacement can cause a fire, a short circuit or damage to the sauna. We strongly recommend using a qualified technician.
- To avoid the risk of burns or electric shocks, do not use any metal tools.
- Do not put animals in the sauna.
- Do not leave the sauna switched on without supervision.
- Do not leave the sauna switched on for more than 3 hours at a time to avoid premature deterioration of the equipment. After 3 hours continuous usage, switch off the sauna for at least one hour.
- We recommend that you do not install a locking system on the sauna door.
- Check compliance of your electrical installation prior to connecting your sauna to the power supply.

Write down and keep the serial numbers of the sauna as well as the purchase invoice.

They may be requested from you during your after-sales service request.

Safety

IMPORTANT :

Please read the safety instructions carefully before installing and using your sauna cabin. They are essential for your safety, so please adhere strictly to them.

Beware of hyperthermia, heat stroke or heat exhaustion which can be caused or aggravated by noncompliance with the safety instructions. Symptoms are fever, a rapid pulse, dizziness, fainting, lethargy and numbness in all or part of the body. The effects are: reduced awareness of the heat, ignorance of imminent risks, loss of consciousness.

The sauna must not be used by:

- Children under 6 years of age.
- People with severe reactions to sunlight.
- Elderly or disabled people.
- People with previous medical conditions such as heart disease, high or low blood pressure, blood circulation problems or diabetes without prior medical advice.
- Pregnant women. Excessive temperature can endanger the foetus.
- Persons suffering from dehydration, open sores, eye disorders, burns or sunstroke.

Children between 6 and 16 years of age may use the sauna provided that they are continuously supervised by a responsible adult and that the temperature does not exceed 60°C (140°F).

In the event of problems involving health, medication or injury to muscles or ligaments, do not use the sauna without previously consulting a doctor and obtaining approval.

If surgical implants are worn, do not use the sauna without previously consulting a doctor and obtaining his approval.

Do not use the sauna after strenuous activity.

Wait 30 minutes for your body to cool down.

Do not spend more than 40 minutes in the sauna at any one time.

Do not consume alcohol or drugs before or during the session.

Do not sleep in the sauna when it is in operation.

To avoid the risk of overheating, connect your sauna to a sufficiently powerful electrical outlet and do not connect other electrical equipment to the same wall socket.

To avoid any risk of electrocution or damage to the sauna, do not use it:

- During thunderstorms.
- If the electrical cable is damaged, it must be replaced by a qualified person.
- If the electrical cable overheats, it must be checked by a qualified person.
- If you have to change a bulb, wait until the sauna is switched off and cooled down.

Dry your hands before connecting or disconnecting the electricity.

Never work with wet hands or feet.

Do not switch the electricity or the heating system rapidly on or off as this could damage the electrical system.

Do not try to repair the sauna by yourself without the agreement of the sauna's distributor or manufacturer.

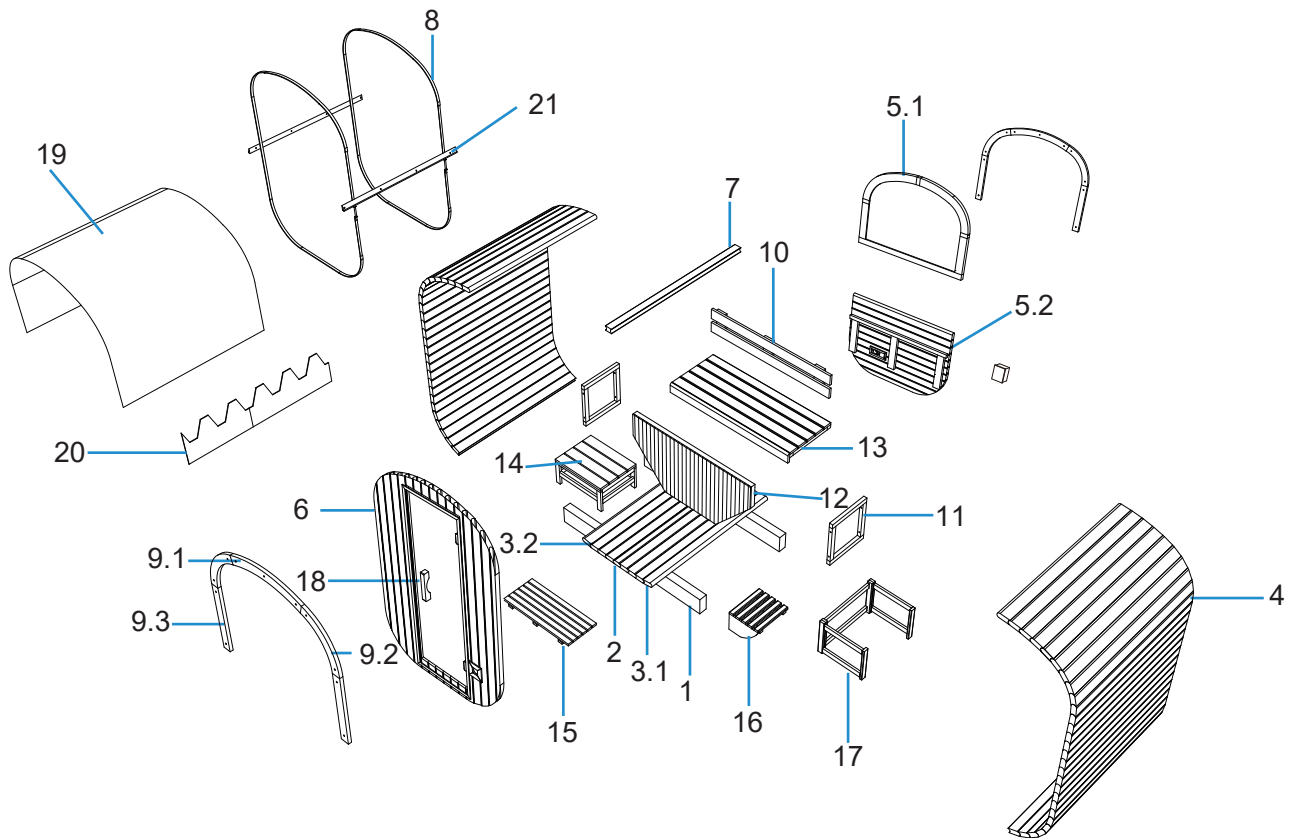
Unauthorized attempts to repair it will invalidate the manufacturer's warranty.

Do not use any type of detergent inside the sauna.

Do not pile up or store objects inside or on top of the sauna.



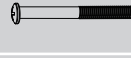


Do not place flammable materials or chemical agents near the sauna.

Description sauna



The product has different sizes and whether it has an outdoor seat plate, which is subject to the actual object. Similar product structure and installation steps can refer to this model.

No	Quantity	Name
1	2	Barrel Cradles
2	1	Special bottom slat (concave on both sides)
3.1	2	Special bottom slat with hole
3.2	4	Special bottom slat without hole
4	58	Standard sauna slat
5.1	1	Rear wall section (above)
5.2	1	Rear wall section (below)
6	1	Front wall section
7	1	Special top slat (convex on both sides)
8	2	Stainless steel sauna bands
9.1	2	Decorative eave (upper)
9.2	4	Decorative eave (corner)
9.3	4	Decorative eave (side)
10	1	Backrest
11	2	Seat board support frame
12	1	Seat front board
13	1	Upper seat board
14	1	Ottoman

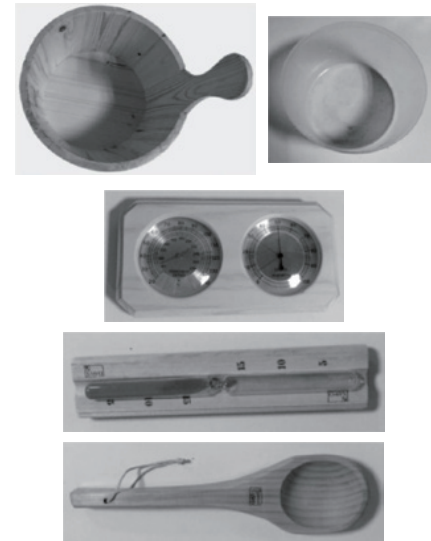
	Dimensions	QTY
	Ø 5 x 70	2
	Ø 5 x 50	12
	Ø 5 x 40	22
	Ø 4 x 50	8
	Ø 4 x 30	16
	Ø 3 x 35	120
	Ø 4 x 12	210
	Ø 6 x 50	2
	(Black)	24
		30



Installation

Included accessories:

15	1	Interior floor panel
16	1	Sauna stove support bracket (with water tray)
17	3	Sauna stove grill (three parts per set)
18	1	Door handle
19	1	Rain coat (gray)
20	42	Asphalt shingle (grey)(Some parts have been cut to size.)
21	2	Water nose



Read the assembly instructions carefully before starting.

Choice of location

Holl's saunas are designed solely for exterior installation.

Select a space:

- In a dry area, on a flat stable surface that can support the weight of your sauna.
- The height must be sufficient for you to reach the ceiling and carry out electrical connections and maintenance.
- Away from any source of water, flames or flammable materials.

Practical advice

- Note that sauna assembly requires 3 adults.
- Clearly identify each panel before you begin
- During assembly, position your sauna's mains cable so that it is easily accessible.
- Note that there are variations between the models.

IMPORTANT:

Please check the countersink and hole diameter of the drill holes to avoid damaging the wood.

Tools needed



Screwdriver



Tape measure



Step ladder



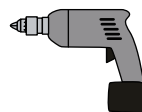
Pencil



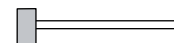
Cutter



2 Spanner
(19 mm)



Electric
screwdriver



Mallet



Wood spiral drill



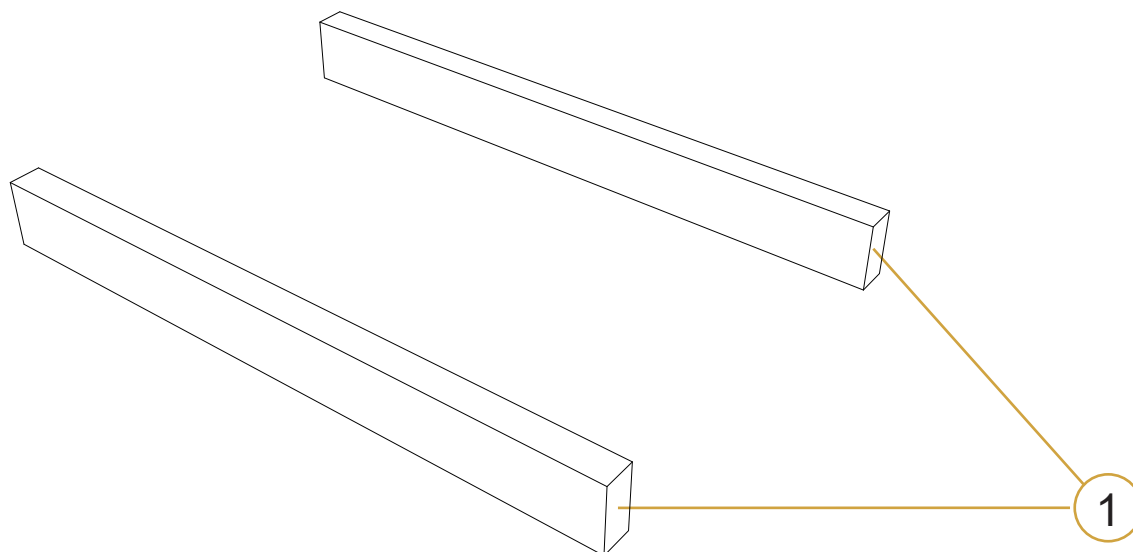
Allen Wrench

Assemble instructions

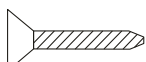
Assemble steps

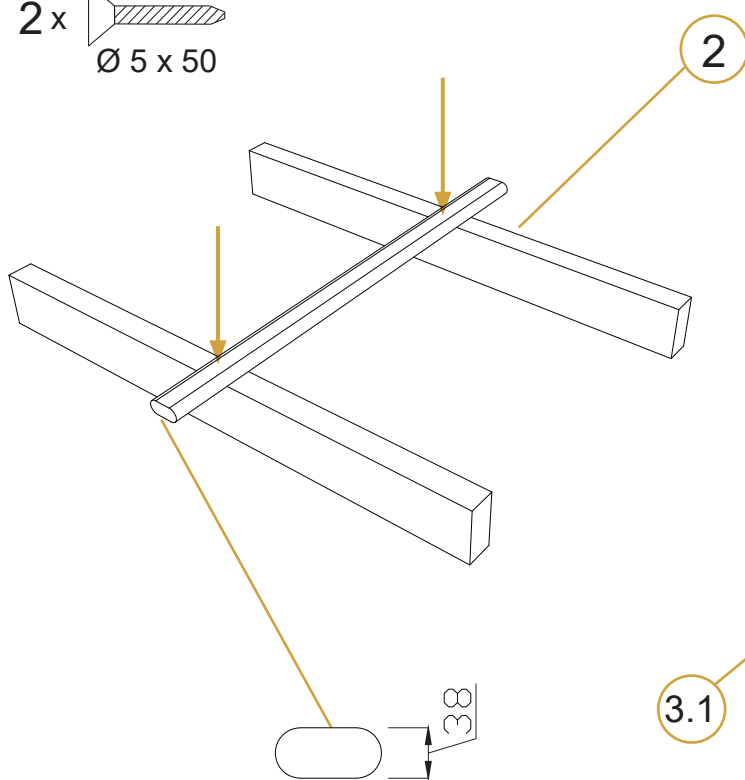
Step 1:

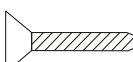
EN

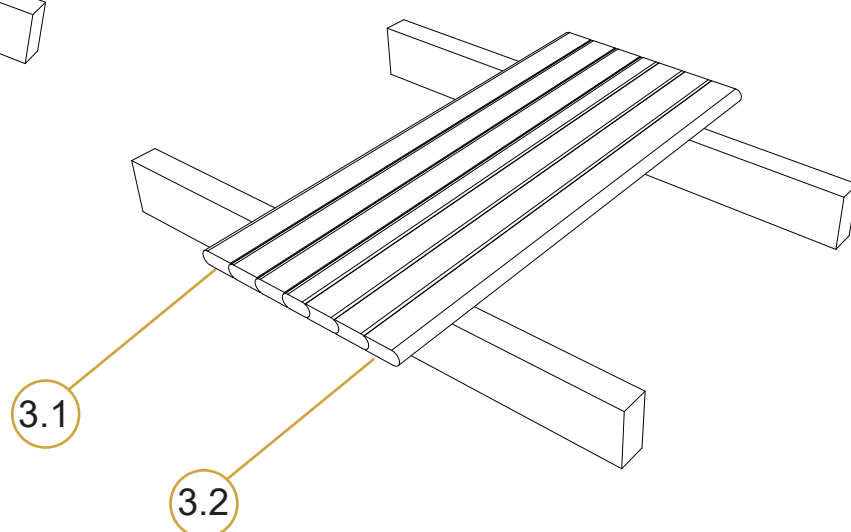


Step 2:

2 x 
Ø 5 x 50

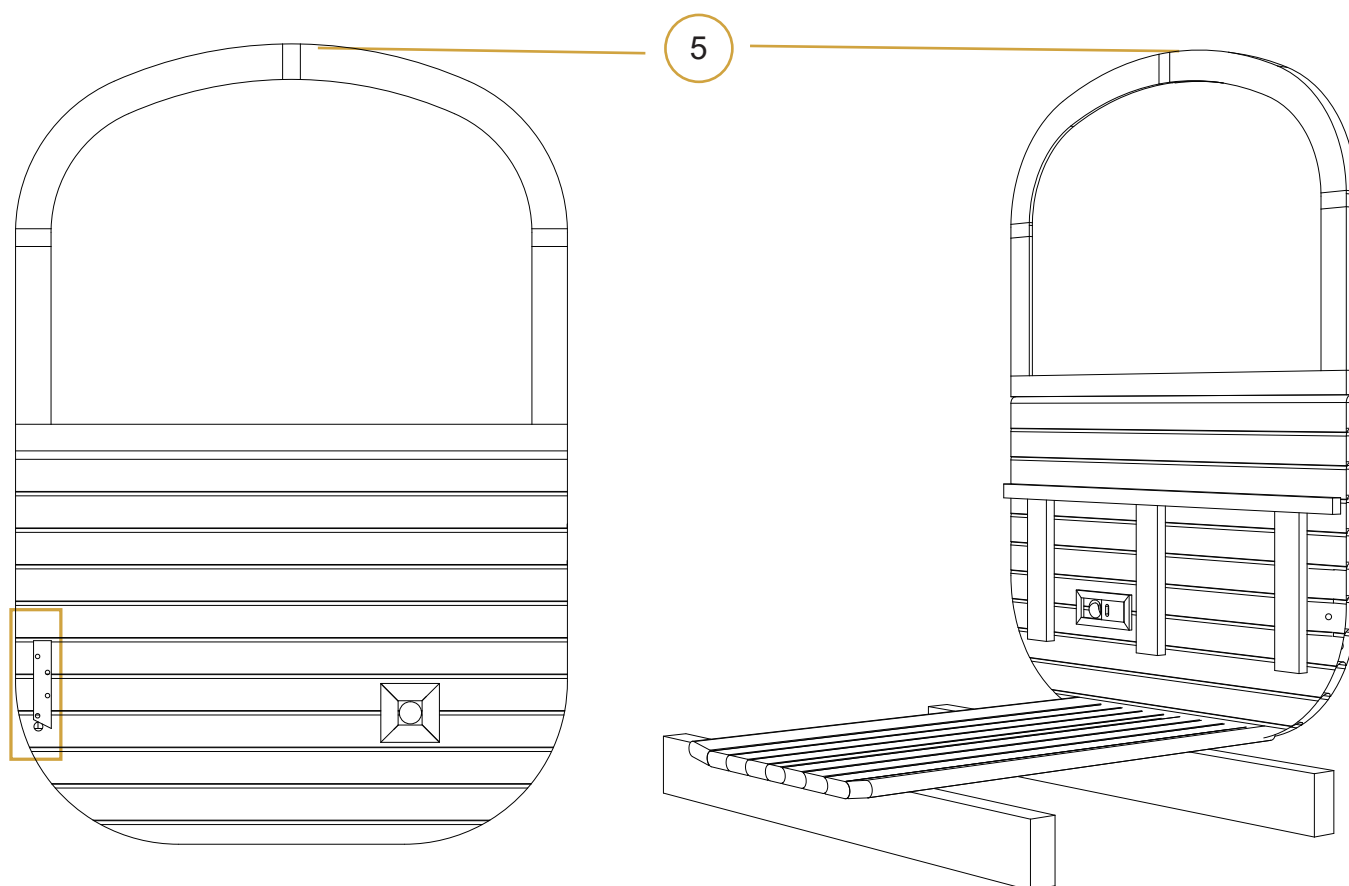


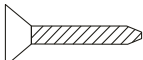
4 x 
Ø 5 x 50



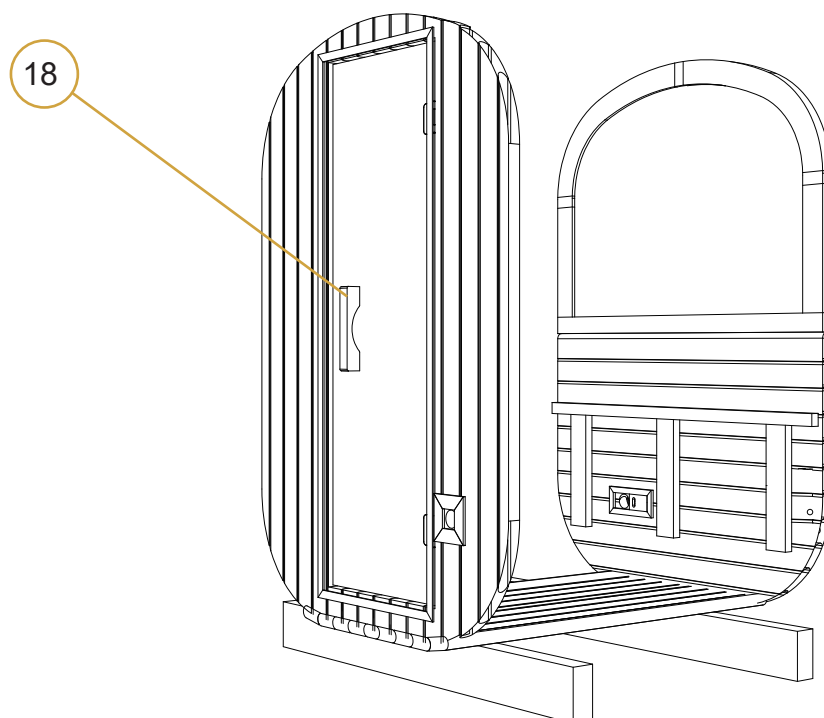
Assemble instructions

Step 3:



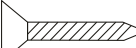
4x 
Ø 3 x 35

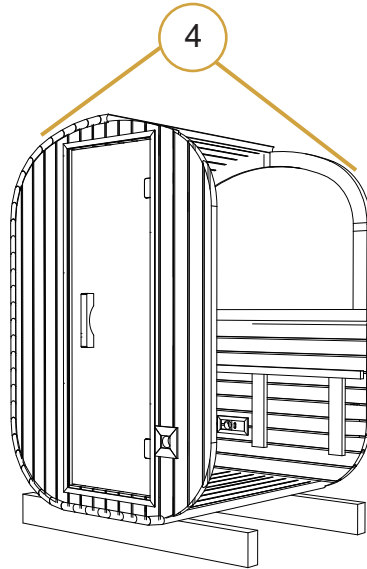
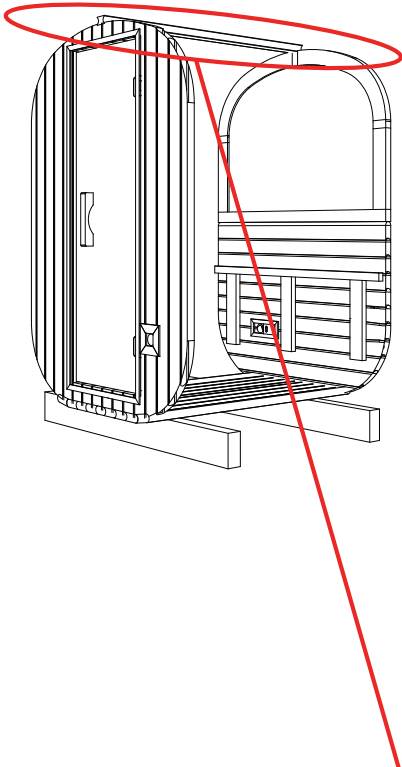
Step 4:



Assemble instructions

Step 5:

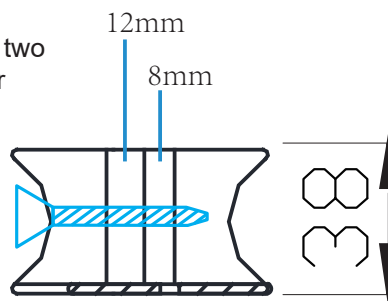
112 x 
 Ø 3 x 35



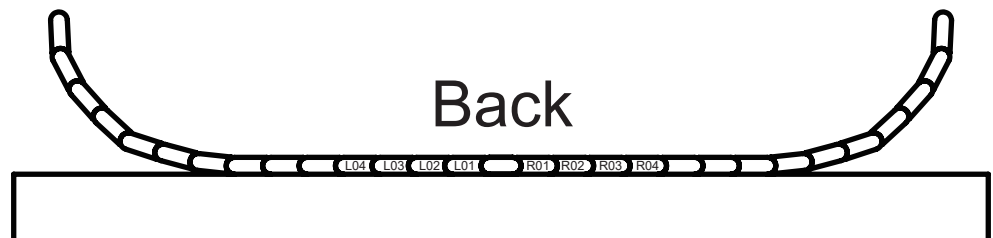
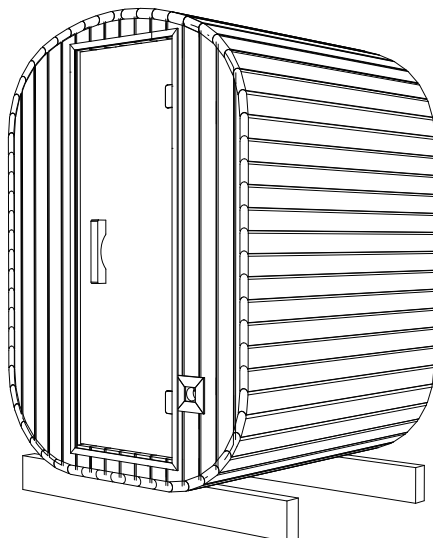
EN



According to actual installation needs, one or two thin plates in the middle can be removed after loosening the screws.



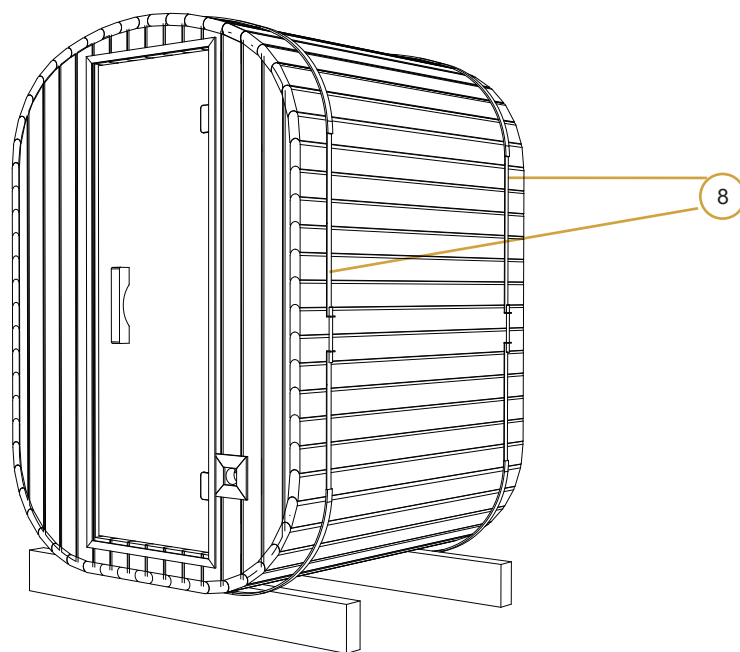
Step 6:



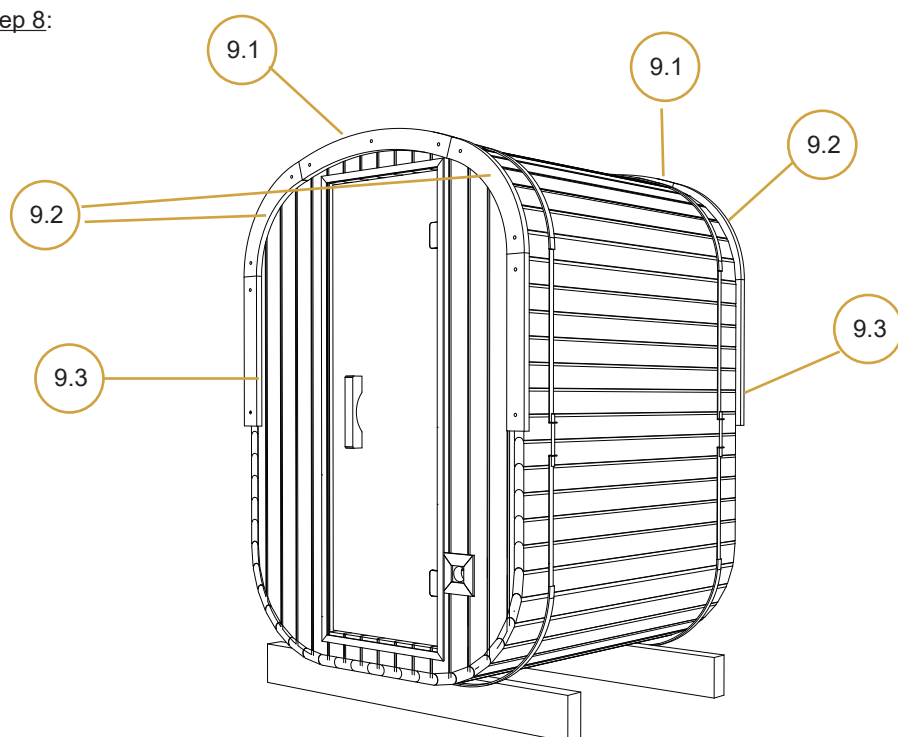
Each slat is numbered and labeled.
 The left side is L01 L02 L03..... from bottom to top;
 The right side is R01 R02 R03..... from bottom to top.


Assemble instructions

Step 7:



Step 8:

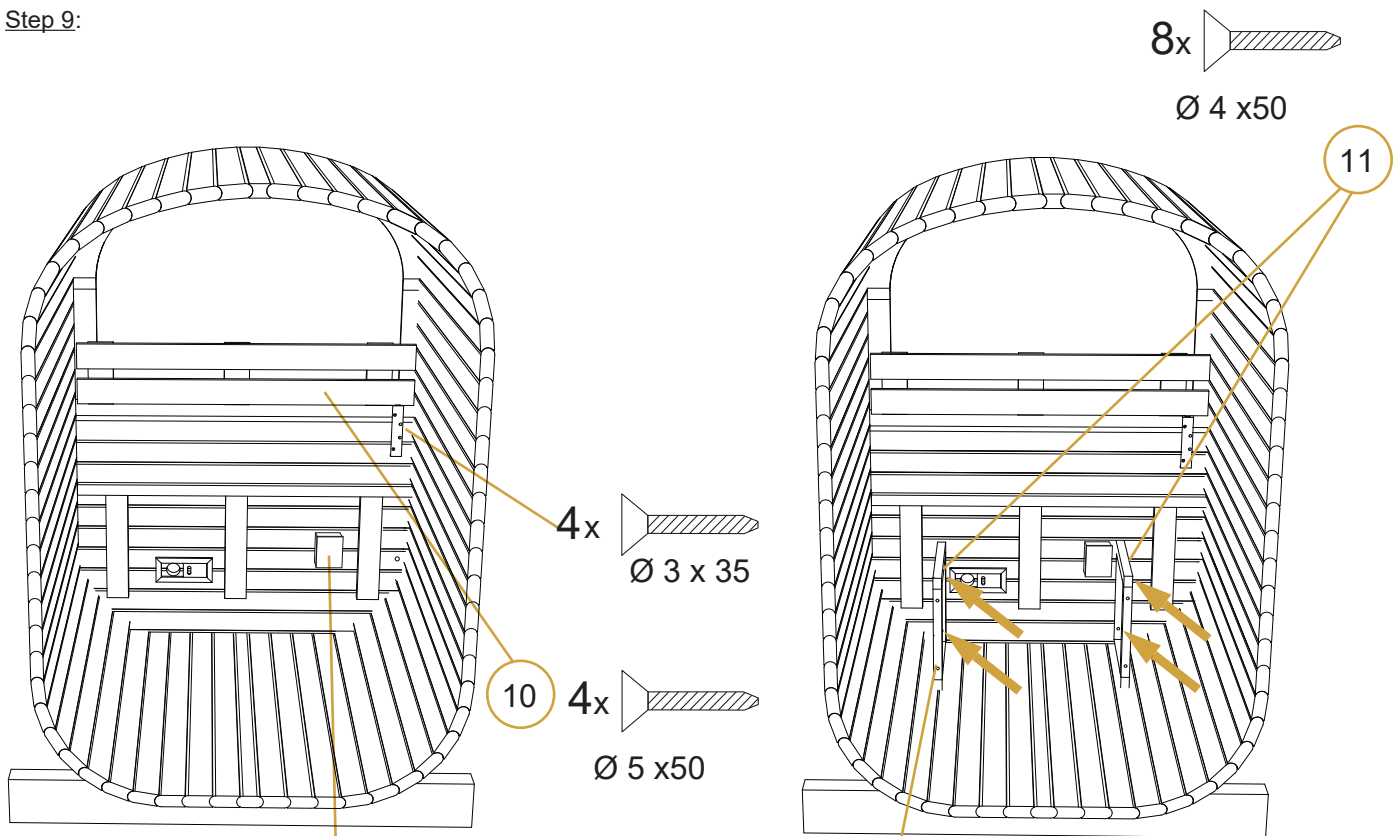


22 x 
Ø 5 x 40

22 x  (Black)

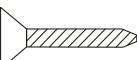
Assemble instructions

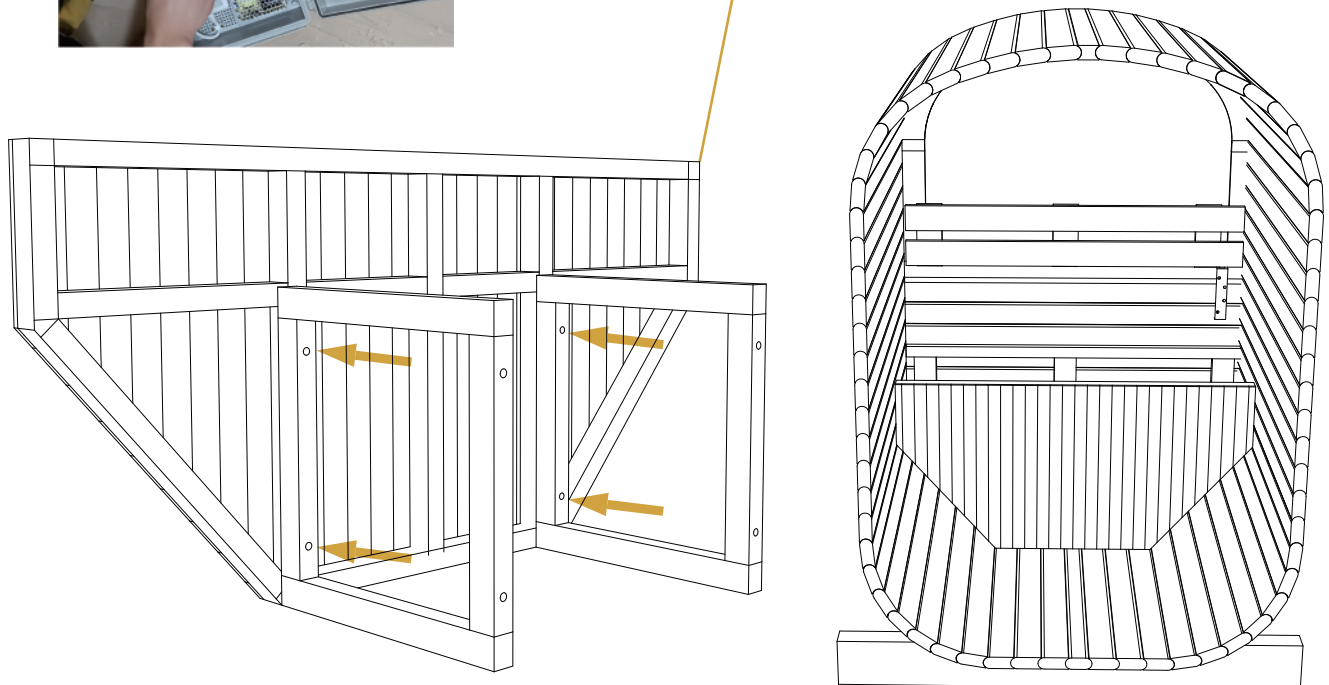
Step 9:



Step 10:

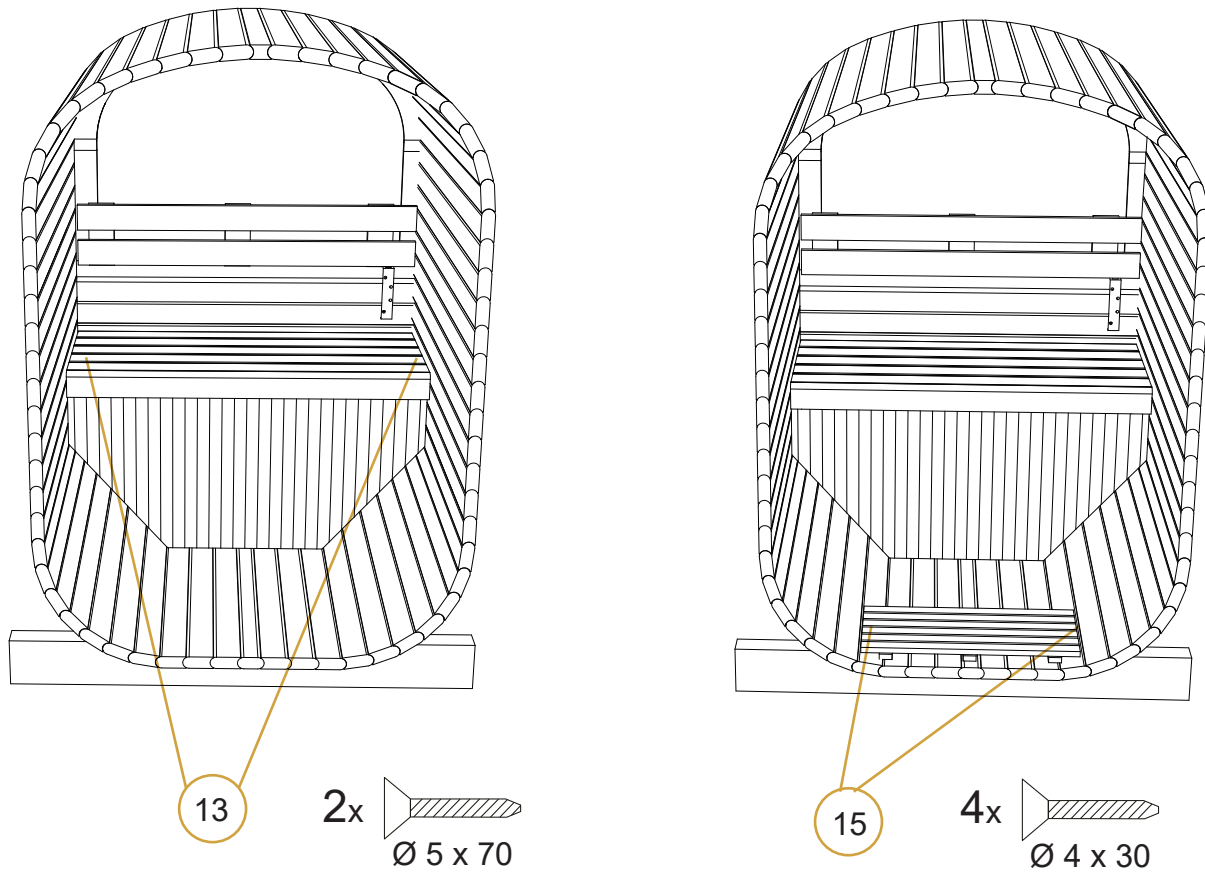


4x 
Ø 4 x 30

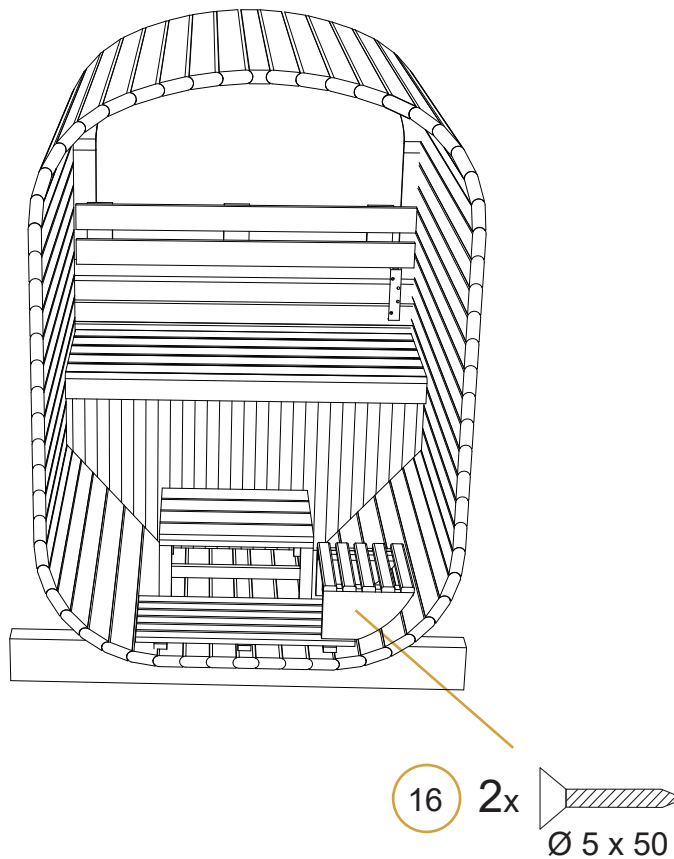


Assemble instructions

Step 11:

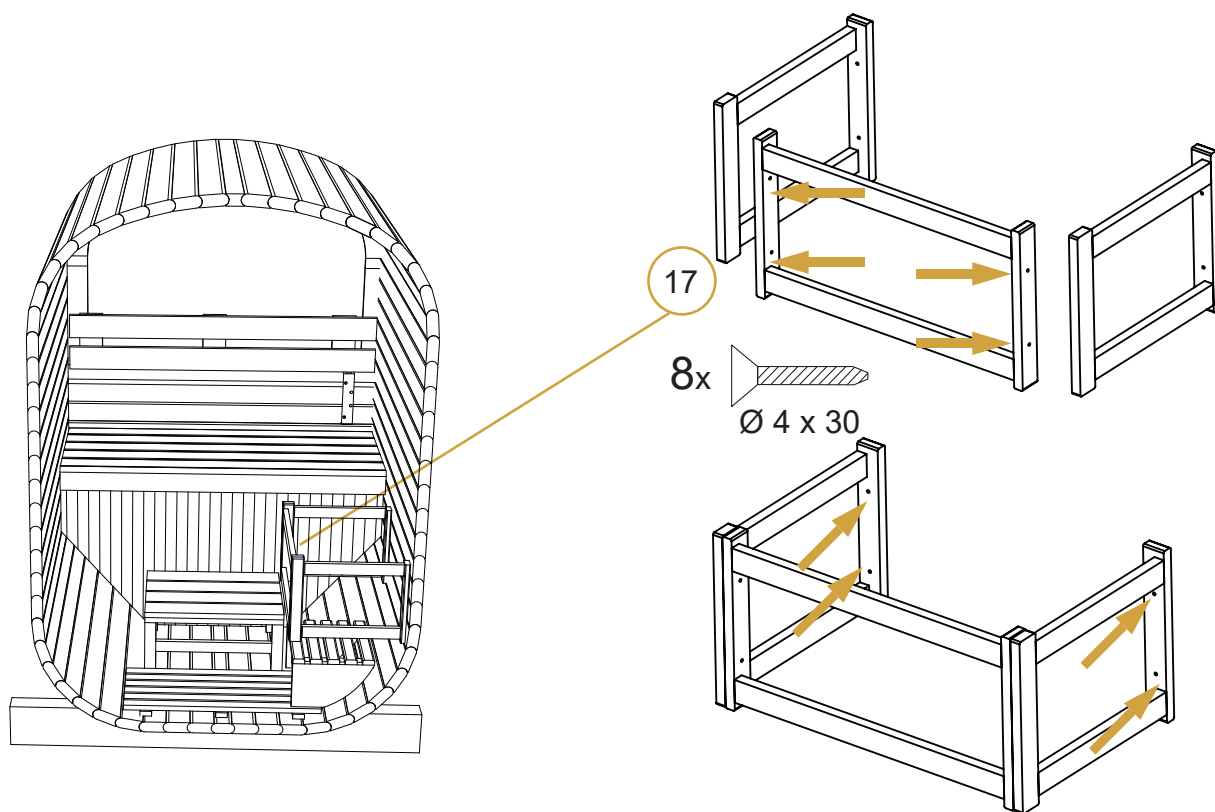


Step 12:



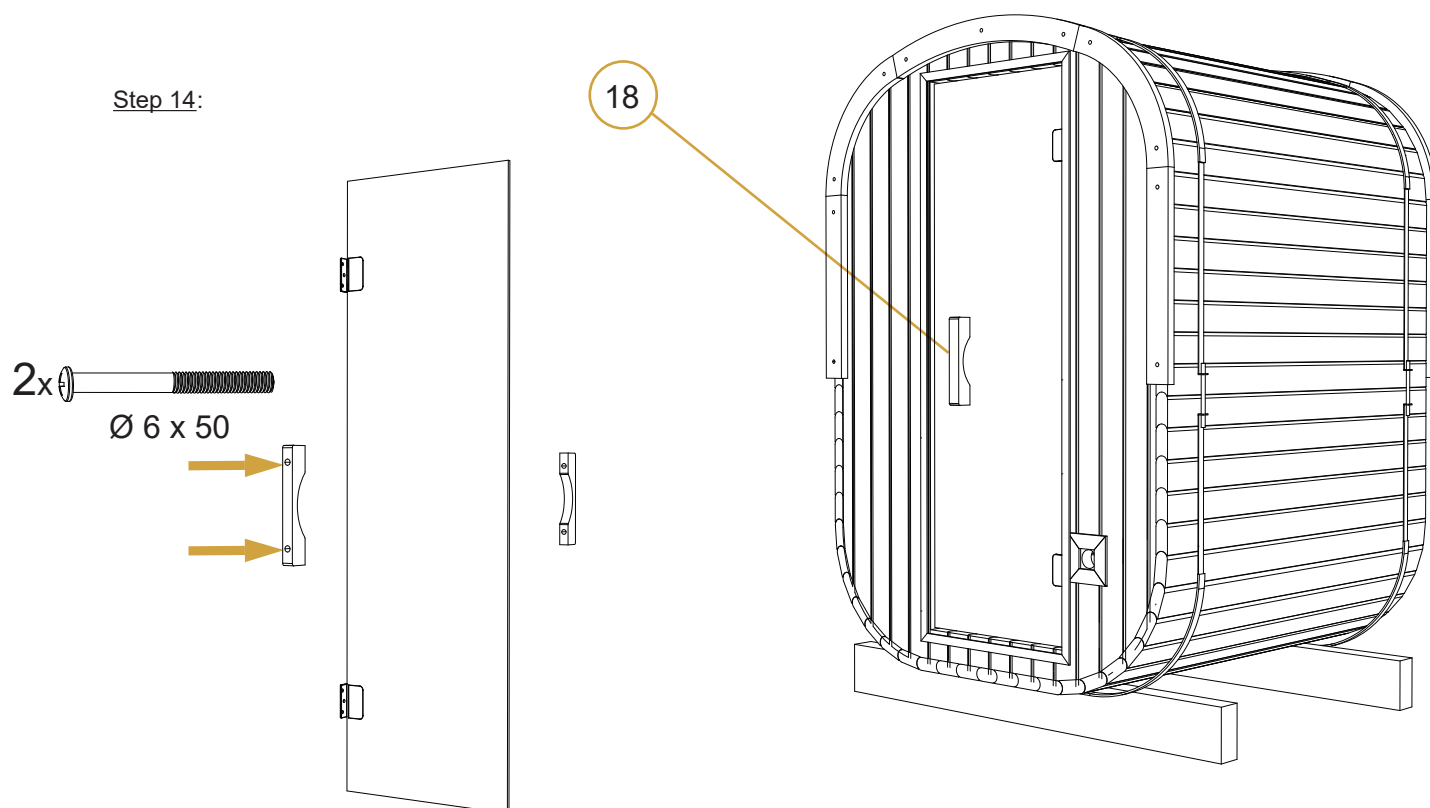
Assemble instructions

Step 13:



EN

Step 14:



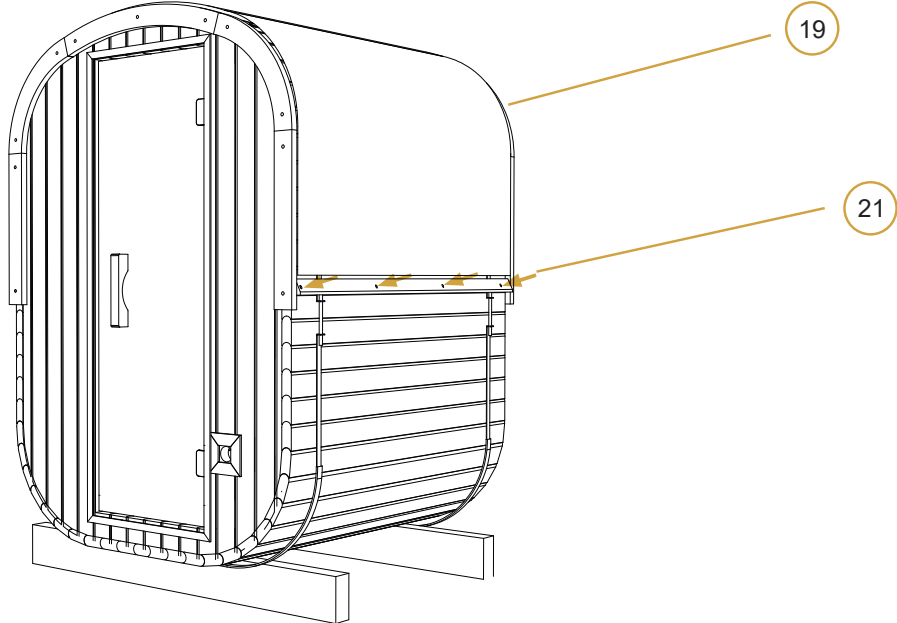
11

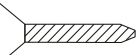
Assemble instructions

IMPORTANT:

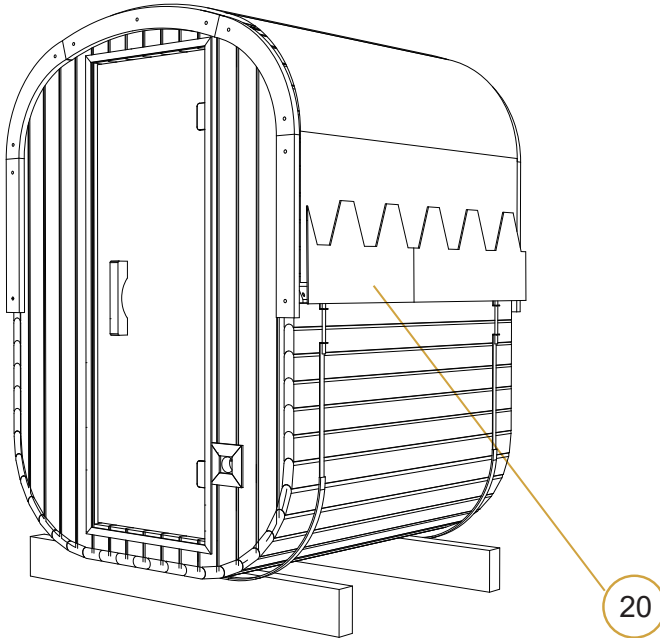
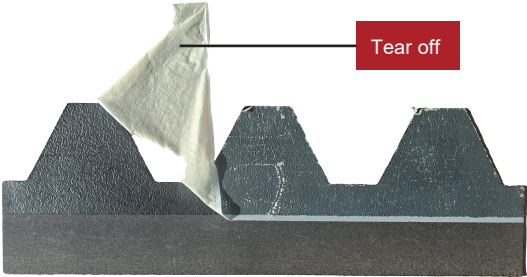
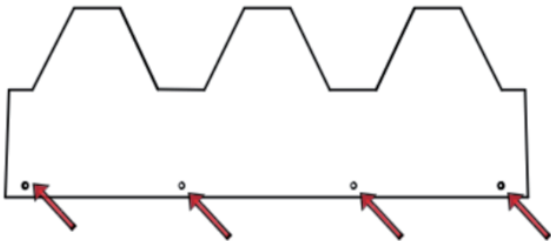
The roof cover is essential for sauna waterproof, adapt it to according to the environment.

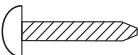
Step 15:



8x 
Ø 4 x 30

Step 16:



210x 
Ø 4 x 12

Maintenance & servicing

Protection of wood

Brush each exterior barrel slat and apply a wood stain when full assembly to protect the wood.
This wood stain had to be renewed according to the recommendations of the product used

Maintenance

IMPORTANT :

Disconnect the cabin's power supply cable before undertaking any work.

Problems identified	Possible reasons	Solutions
Electric stove does not heat up.	Power supply cable disconnected.	Check power supply cable connection.
	The general power supply is cut.	Check that the switchboard and wall plug are working.
	Stove is overheat protected.	Refer to the electric stove manual.
Sauna light fitting no longer work.	Light cable not fully plug.	Plug the cable.
	Light is defective.	Contact your dealer.

Servicing

1. Disconnect your sauna.
2. Use a vacuum cleaner to remove dust from crevices in the woodwork.
3. Clean the cabin with a damp cotton cloth and use a small amount of soap if necessary. Rinse with a damp cloth.
4. Clean the glass with a window / glass cleaner and a soft cloth.
5. Maintain the exterior of the sauna every 2 years with a suitable product.
6. In the event of heavy rain, oreoles may appear inside the sauna, this is not a leak due to capillary action.

IMPORTANT :

The wood should be treated with a protective product only on the outside of the sauna.

No treatment should be applied inside the sauna.

Do not use benzene, alcohol, chemical agents or strong detergents on the sauna since chemical products can damage the wood. Do not spray water on your sauna.

Warranty

All the components of Holl's saunas are guaranteed for 2 years and 4 years for wooden parts.

The warranty comes into force on the date of dispatch (corresponding to the date the invoice is issued).

The warranty does not apply in the following cases:

- Malfunction or damage arising from installation, usage or repair that are not in compliance with the safety instructions.
- Malfunction or damage arising from conditions that are unsuitable for the equipment's originally intended purpose.
- Damage arising from negligence, accident or force majeure (thunderstorm or bad weather).
- Malfunction or damage arising from the use of non-authorized accessories.
- Malfunction or damage resulting from the non-installed of a waterproof roof.
- Malfunction or damage resulting from the non-maintenance of the outside of the sauna.

The warranty does not cover the costs linked to returning the cabin or part of its components to our workshops of.

Under the warranty, in the event of a breakdown, the items deemed defective by our technicians will be exchanged.

Information and explanations required for their installation will be provided by one of our technicians.

Costs linked to the use of subcontract labour provided by a third party cannot be covered by Holl's.



IMPORTANT

Do not return the product to the store

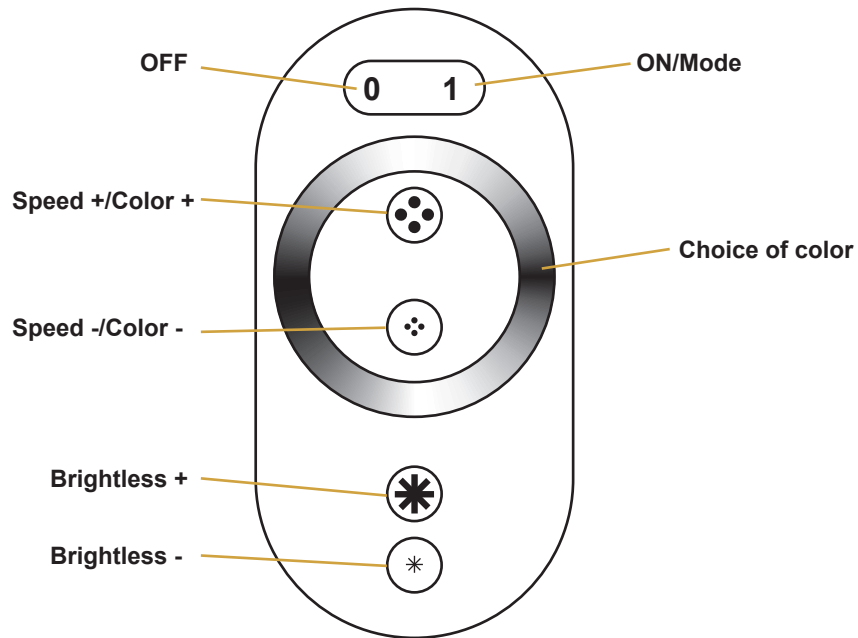
Contact your local after sales service on
www.holls.fr or POOLSTAR
960 Avenue Olivier Perroy, 13790 ROUSSET - FRANCE

LED Controller

EN

	LED control box	Remote control
Operating temperature	-20°C / 60°C	-20°C / 60°C
Tension	DC 12~24V	AAA battery*3pcs
Output	Max 18A(Reference to product)	-
Power consumption	-	6mW
Dimensions of the box	210 x 210 x 100mm	

Fonctions :



NO	Mode	Remarks
01	Static red	Brightness is adjustable, Speed is unadjustable
02	Static green	
03	Static blue	
04	Static yellow	
05	Static purple	
06	Static cyan	
07	Static white	
08	7-colors gradual changing	Brightness /Speed are adjustable

