



# HOLL'S

## COMFORT DESIGN SAUNAS



Installation handbook



Manuel d'installation



Manual de instalación



Manuale di installazione



Installationshandbuch

Multiwave 3C / Purewave 3C





**Installation handbook**

**EN**



**Manuel d'installation**

**FR**



**Manual de instalación**

**ES**



**Manuale di installazione**

**IT**



**Installationshandbuch**

**DE**

# Recommendations

***Read this manual carefully before using your sauna for the first time.***

***We recommend you keep it in a safe place for future reference.***

- Install the sauna on a perfectly flat surface.
- The sauna must remain in a dry area. Do not use it near a source of water (bath, damp floor, swimming pool).
- Do not use liquid cleaning products. Disconnect the sauna before cleaning and use a wet rag. (see Maintenance section)
- Protect the sauna's electrical cable to avoid it being crushed or pinched.
- Prior to replacing certain components, ensure that they are specified by the manufacturer or that they have the same features as the original parts. Incorrect replacement can cause a fire, a short circuit or damage to the sauna. We strongly recommend using a qualified technician.
- To avoid the risk of burns or electric shocks, do not use any metal tools and do not touch the infrared emitters.
- Do not put animals in the sauna.
- Do not dry linen in the sauna (fire hazard).
- Do not leave the sauna switched on without supervision.
- Do not leave the sauna switched on for more than 3 hours at a time to avoid premature deterioration of the equipment. After 3 hours continuous usage, switch off the sauna for at least one hour.
- We recommend that you do not install a locking system on the sauna door.
- Check compliance of your electrical installation prior to connecting your sauna to the power supply.

# Safety

## IMPORTANT:

Please read the safety instructions carefully before installing and using your sauna cabin. They are essential for your safety, so please adhere strictly to them.

EN

Beware of hyperthermia, heat stroke or heat exhaustion which can be caused or aggravated by noncompliance with the safety instructions. Symptoms are fever, a rapid pulse, dizziness, fainting, lethargy and numbness in all or part of the body. The effects are: reduced awareness of the heat, ignorance of imminent risks, loss of consciousness.

The sauna must not be used by:

- Children under 6 years of age.
- People with severe reactions to sunlight.
- Elderly or disabled people.
- People with previous medical conditions such as heart disease, high or low blood pressure, blood circulation problems or diabetes without prior medical advice.
- Pregnant women. Excessive temperature can endanger the foetus.
- Persons suffering from dehydration, open sores, eye disorders, burns or sunstroke.

Children between 6 and 16 years of age may use the sauna provided that they are continuously supervised by a responsible adult and that the temperature does not exceed 60°C (140°F).

In the event of problems involving health, medication or injury to muscles or ligaments, do not use the sauna without previously consulting a doctor and obtaining approval.

If surgical implants are worn, do not use the sauna without previously consulting a doctor and obtaining his approval.

Do not use the sauna after strenuous activity.

Wait 30 minutes for your body to cool down.

Do not spend more than 40 minutes in the sauna at any one time.

Do not consume alcohol or drugs before or during the session.

Do not sleep in the sauna when it is in operation.

To avoid the risk of overheating, connect your sauna to a sufficiently powerful electrical outlet and do not connect other electrical equipment to the same wall socket.

To avoid any risk of electrocution or damage to the sauna, do not use it:

- During thunderstorms.
- If the electrical cable is damaged, it must be replaced by a qualified person.
- If the electrical cable overheats, it must be checked by a qualified person.
- If you have to change a bulb, wait until the sauna is switched off and cooled down.

Dry your hands before connecting or disconnecting the electricity.

Never work with wet hands or feet.

Do not switch the electricity or the heating system rapidly on or off as this could damage the electrical system.

Do not try to repair the sauna by yourself without the agreement of the sauna's distributor or manufacturer.

Unauthorized attempts to repair it will invalidate the manufacturer's warranty.

To avoid any risk of short-circuiting:

- No liquid should touch the infrared emitters.
- No hard objects should knock against the emitters and risk breaking them.

Do not use any type of detergent inside the sauna.

Do not pile up or store objects inside or on top of the sauna.

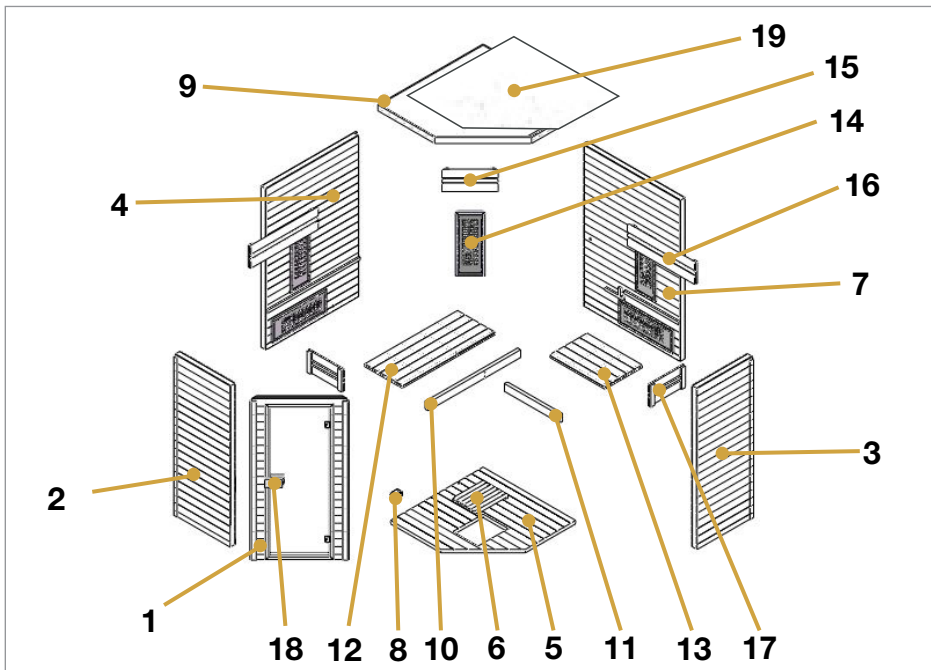
Do not place flammable materials or chemical agents near the sauna.


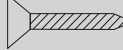

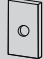
# Description

## Technical data

<b>Model</b>		HL-MW03CE-K	HL-MW03C-K
<b>Cabin Material</b>		Regular hemlock	Red cedar
<b>Voltage</b>		230 V - 50 Hz	
<b>Radiators</b>	<b>Type</b>	600 L infrared magnesium and quartz radiator & carbon panel	
	<b>Total output</b>	2550 W - 11.1 A	
	<b>Back panel</b>	350 W x 3	
	<b>Calves</b>	350 W x 2	
	<b>Side panel</b>	350 W x 2	
	<b>Floor panel</b>	100 W x 1 (Carbon panel)	

## Parts List



	Size	QTY
	Mixed Screw	2
	Ø 3 x 16	1
	Ø 4 x 30	24
	Ø 4 x 45	18
	Ø 4 x 50	6
	Ø 4 x 60	2
	Ø 6 x 60	2
	30 x 20 x 2	1

N°	Name	QTY	Box N°
1	Front panel (1860 x 900x 50 mm)	1	2
2	Side panel 1 (1860 x 762 x 72 mm)	1	2
3	Side panel 2 (1860 x 762 x 72 mm)	1	2
4	Back panel 1 (1860 x 1262 x 67.5 mm)	1	1
5	Floor panel 1 (1232 x 1232 x 40 mm)	1	3
6	Floor panel 2 (403 x 334 x 40 mm)	1	3
7	Back panel 2 (1860 x 1302 x 67.5 mm)	1	1
8	Wire cover (90 x 68 x 38 mm)	1	3
9	Top panel (1402 x 1402 x 65 mm)	1	3
10	Bench support panel (1234 x 90 x 40 mm)	1	3
11	Bench support panel (734 x 90 x 40 mm)	1	3
12	Bench surface panel (1234 x 500 x 33 mm)	1	3
13	Bench surface panel (734 x 500 x 33 mm)	1	3
14	Corner heater (746 x 289 x 20 mm)	1	4
15	Corner headrest (530 x 250 x 38 mm)	1	3
16	Back headrest (896 x 250 x 38 mm)	2	3
17	Side headrest (460 x 250 x 38 mm)	2	3
18	Door handle (outside : 180 x 95 x 45 mm & inside : 120 x 95 x 45 mm)	2	3
19	MDF cover (1376 x 1376 x 3 mm)	1	3

# Installation

Read the assembly instructions carefully before starting.

## Choice of location

Holl's saunas are designed solely for interior installation.

Select a space:

- Inside, in a dry area, on a flat stable surface that can support the weight of your sauna.
- The height must be sufficient for you to reach the ceiling and carry out electrical connections and maintenance.
- Away from any source of water, flames or flammable materials.

## Practical advice

- Note that sauna assembly requires 2 or 3 adults.
- Clearly identify each panel before you begin.
- During assembly, position your sauna's mains cable so that it is easily accessible.
- Note that there are variations between the models.

### IMPORTANT:

Please check the countersink and hole diameter of the drill holes to avoid damaging the wood.  
The minimum room height required for installation is 2020 mm.

## Tools needed



Phillips  
Screwdriver



Tape measure



Step ladder



Pencil

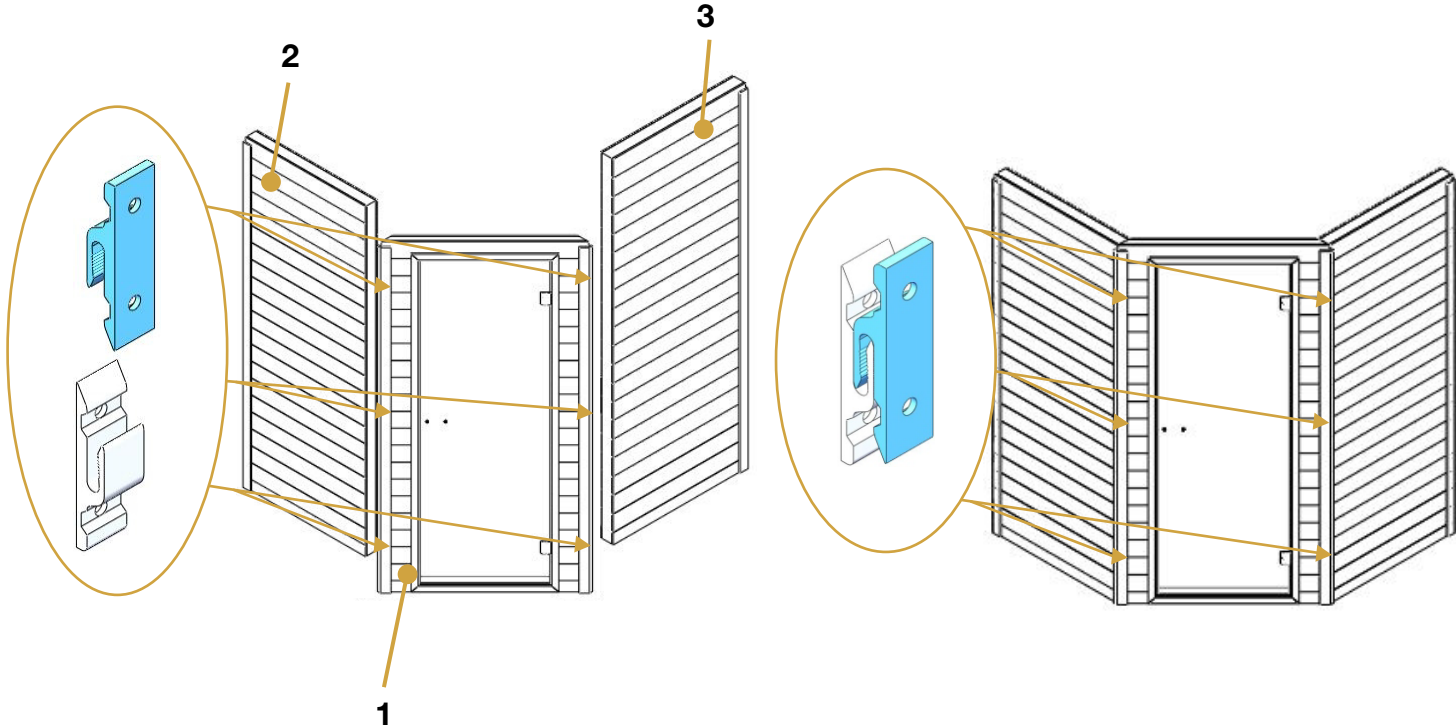


Cutter

# Assemble instructions

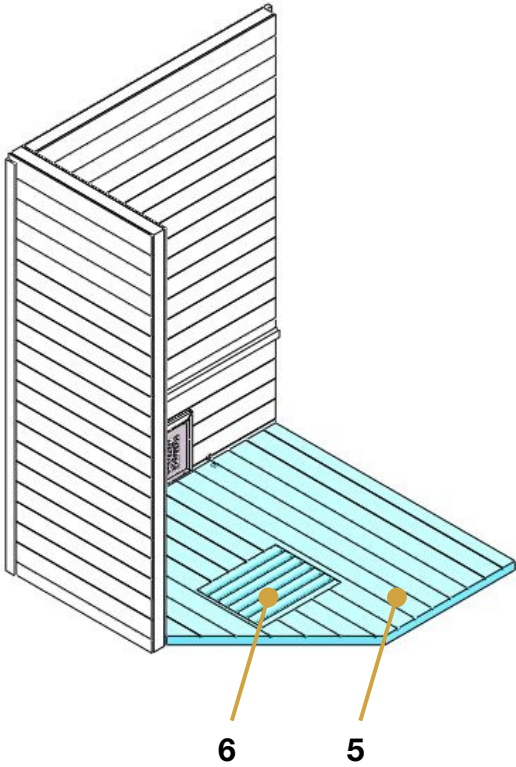
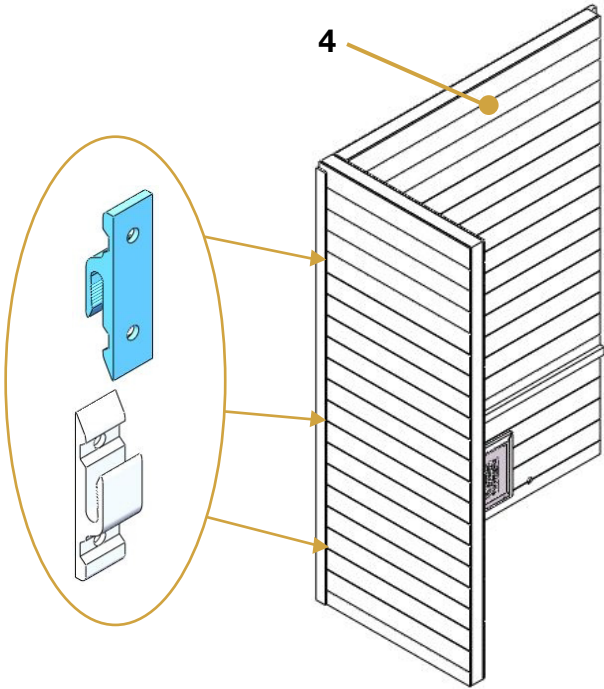
## Assembly steps

Step 1:



Step 2:

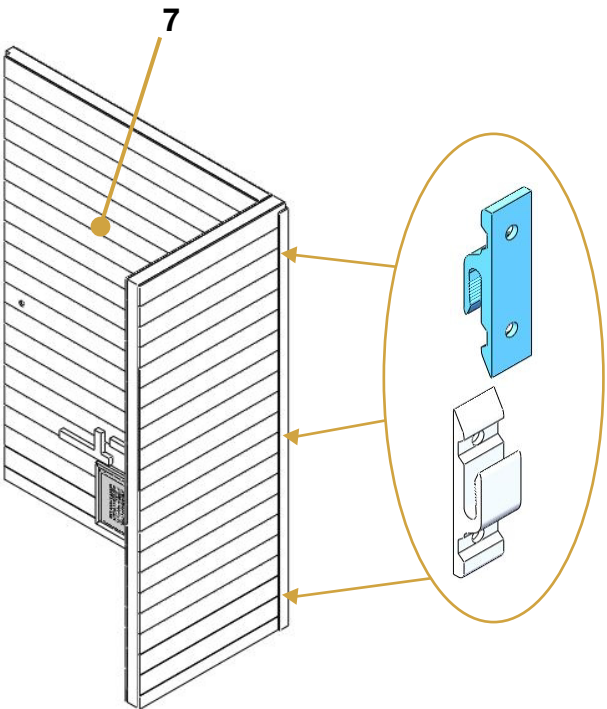
Step 3:



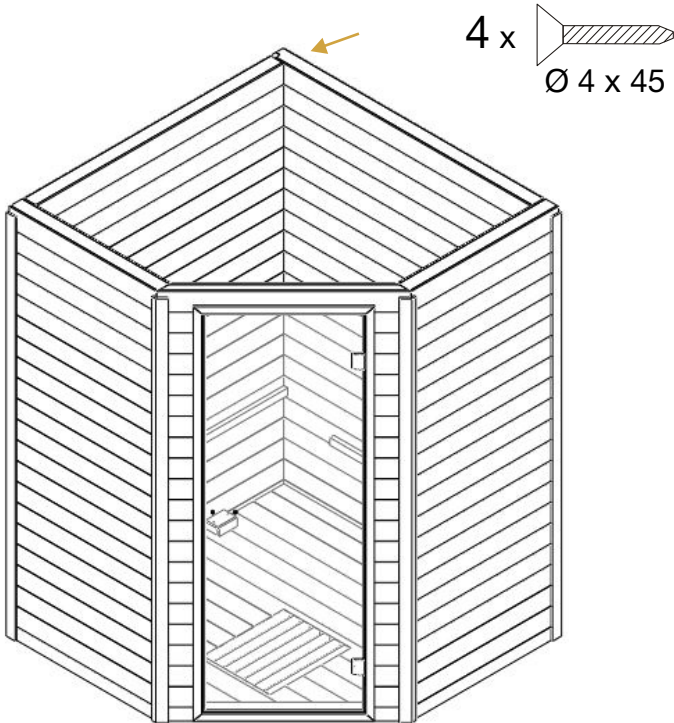


# Assemble instructions

Step 4:

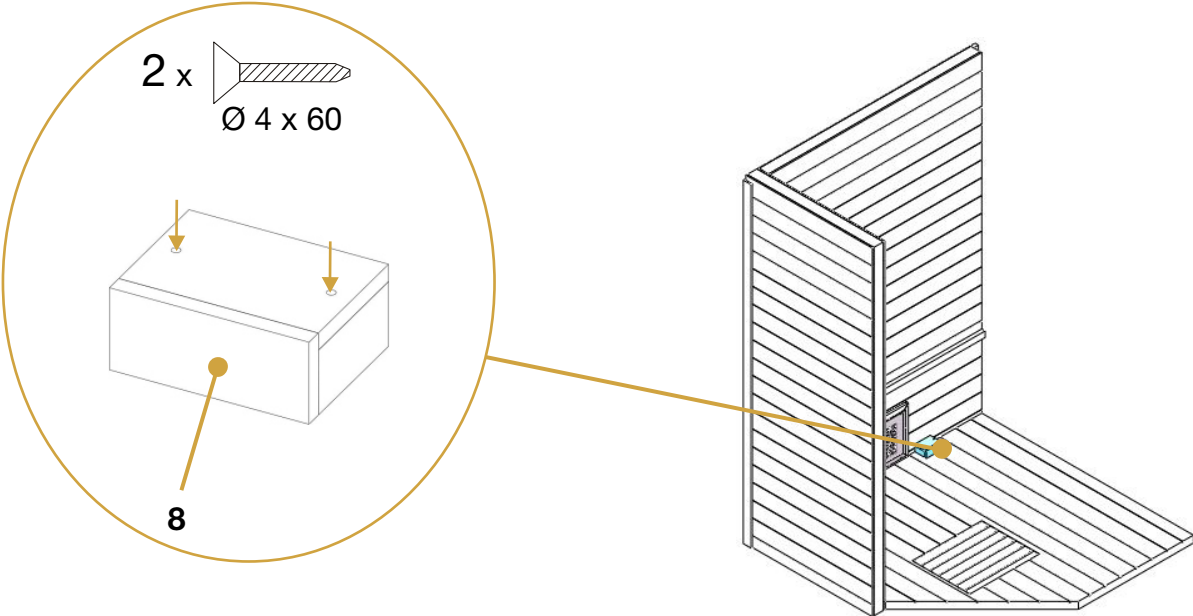


Step 5:



EN

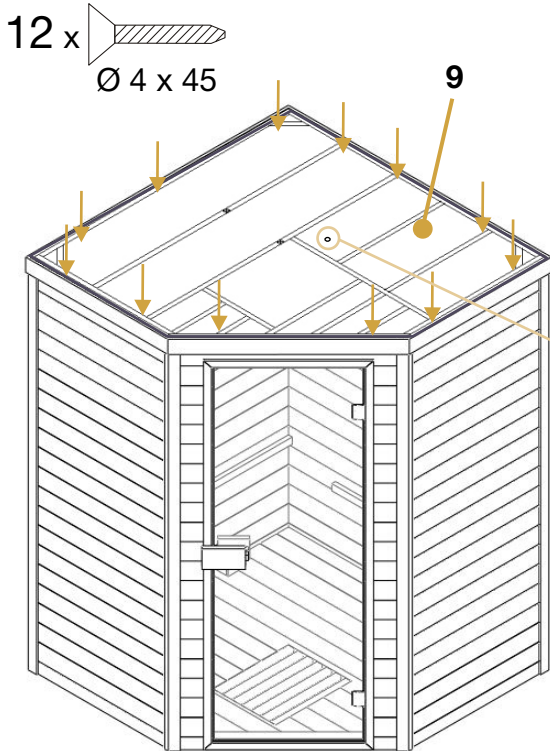
Step 6:



**Note:**  
Connect heater's cable.

# Assemble instructions

Step 7:



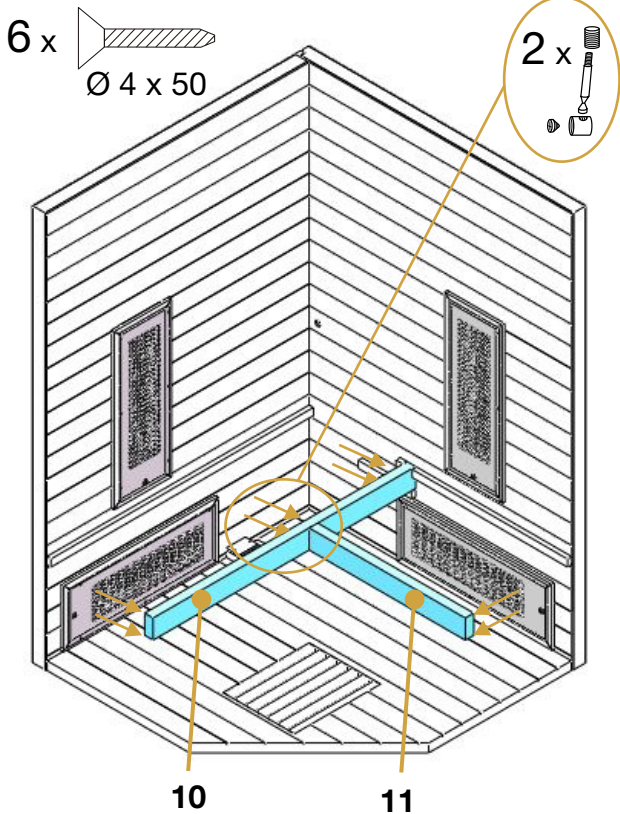
Note:

Make sure the temperature sensor is out about 2 cm from the silicone pipe.

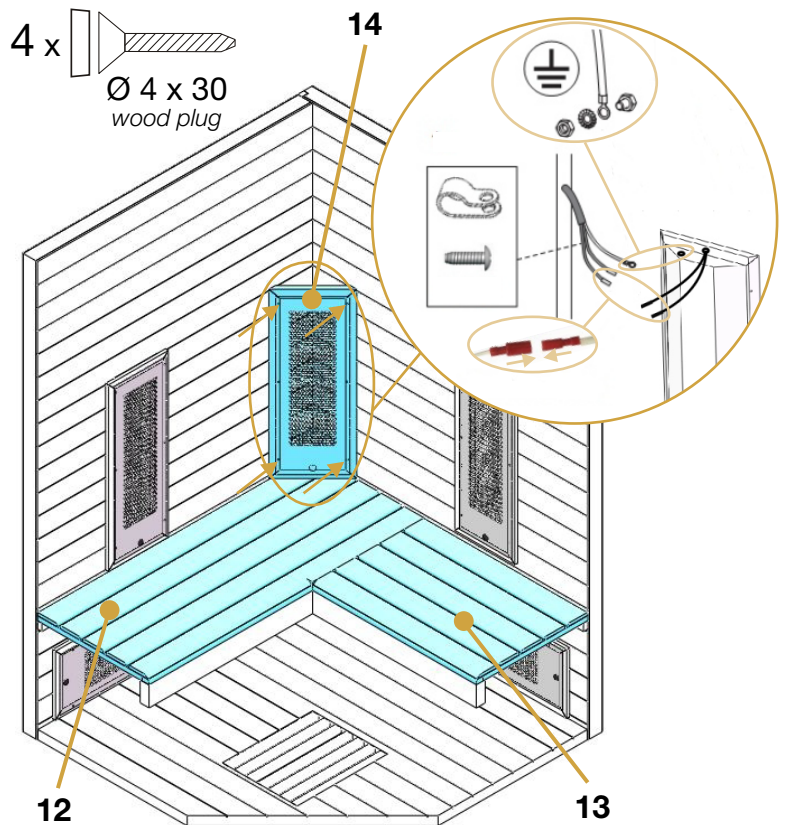
(Pipe > 3 cm + sensor > 2 cm = 5 cm away from ceiling).



Step 8:

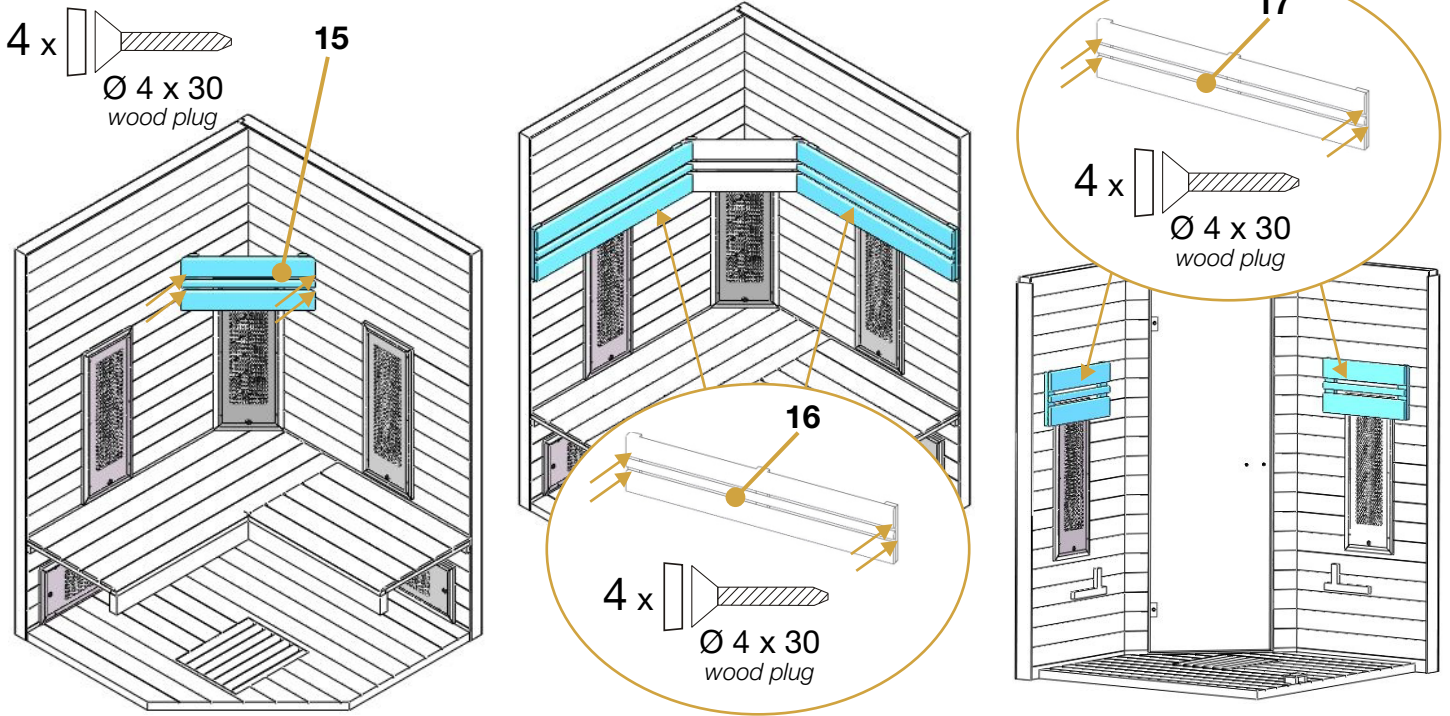


Step 9:



# Assemble instructions

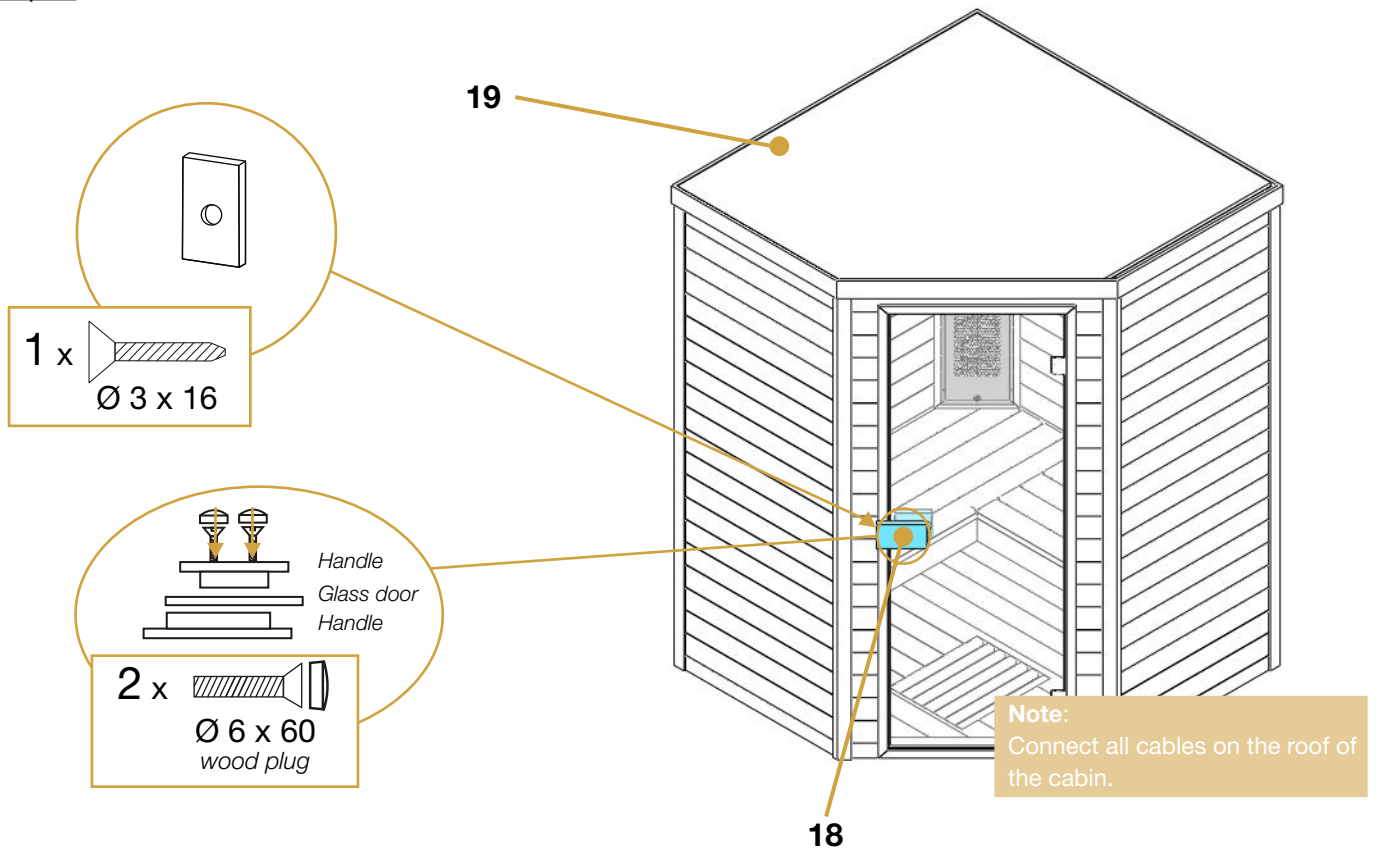
Step 10:



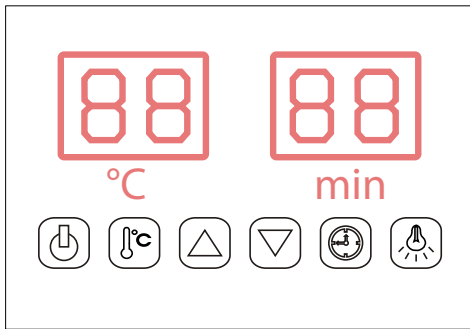
EN

**Note:**  
Headrests distance away from bench surface panel about 693mm.

Step 11:



# Using the sauna



ON / OFF



Color light



Temperature setting



Time setting



Time / Temperature +



Time / Temperature -

Connect the power unit to wall outlet, the LED indicator will start to blink on the display. Now it is possible to switch on the infrared heaters, the light and the music function.

## Startup

Press to switch on the display and heaters, the length of time is automatically set to 99 minutes and the air temperature inside the cabin will be displayed. Press again switch off the heaters.

## Temperature settings

The left display refers to the air temperature. Press , you can set the desired temperature from 35°C to 60°C by pressing the or , 1 push= 1°C.

The setting number blinks 10 seconds then automatically presents the air temperature.

Arrived at the desired temperature, the heaters will stop working automatically

When it fall 2°C below the desired temperature, the cabin will restarted automatically.

### Note:

The maximum air temperature reachable in the cabin may be lower than the desired temperature. This is dependent on the temperature outside the cabin. Default temperature = 40°C

## Time settings

The right display refers to the length of time. Press , you can set the desired time from 5 minutes to 99 minutes by pressing the or , 1 push = 1 minute.

The setting number blinks 10 seconds then automatically presents the air temperature.

When countdown to 00, the heaters will shut off automatically.

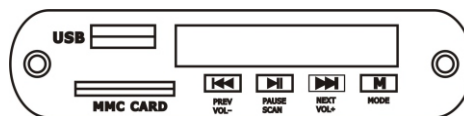
Default time = 99 minutes.

## Color light

Short press , you can set the desired color (7 color totally) and turn off the light.

Long press to go into an automatically cycling mode, changing 7 colors every 5 seconds.

## MP3 player



Long press to switch ON/OFF the MP3 player. You can select the mode by short pressing the button : USB or MMC CARD (if have) --- Bluetooth --- FM radio -- LINE (empty).

*USB/SD or Bluetooth mode:* You can select songs by short pressing the or and adjust the volume (0 - 32) by long pressing the or . The key for pause.

*FM radio mode:* Long press to search stations (87.5 MHz - 108 MHz) automatically, the system will save all of them. You can select station by short pressing the or and adjust the volume (0 - 32) by long pressing the or .

## Infrawave technology

The button is on each panels and permit to choose the technology used:

Push to the 2 lines side for use on the panel both quartz.

Push to the circle (middle) for turn off the panel.

Push to the 1 line side for use on the panel magnesium technology.

# Using the sauna

## Operating instructions

1. Adjust your sauna's temperature between 35 and 40°C.
2. The sauna preheats within 5 to 10 minutes. We recommend that you add this preheating time to the duration time of your session. Example: for a 30 minute session, programme 40 minutes and re-enter the cabin once the sauna is hot.
3. Make use of the pre-heating time to have a shower or warm bath before the session.
4. When the required temperature is reached, the heating equipment will go on stand-by so as to maintain a constant temperature.
5. Drink water before, during and after the session. This will help compensate for the loss of water through sweating.
6. To absorb perspiration and keep your sauna dry, it is advisable to place a towel on the bench and one on the cabin floor. Keep a third towel close at hand to remove excess perspiration.
7. Sweating will begin between 6 and 15 minutes after the session starts. We recommend you do not exceed 30 minutes in the sauna.
8. You can open the door at any time to introduce fresh air during your session. Infrared heating's unique property is to directly heat the body without heating the ambient air. This allows you to enjoy a session with the door ajar without minimising its effects.
9. After the session, you can allow your body to perspire further by remaining in the switched-off sauna with the door open prior to having a warm shower to get rid of toxins.

## Tips

- For beautiful hair, you can cover it with oil (jojoba, for example) or a care product, and wrap it in a towel. When the session is over, wash it with a very gentle shampoo.
- To soothe away your aches and pains, massage the painful areas during the session.
- Take advantage of this thermal bath to gently stretch your muscles.
- At the first signs of cold weather, increase the frequency of your sessions to activate your immune system.

# Maintenance & servicing

## Maintenance

### IMPORTANT:

Disconnect the cabin's power supply cable before undertaking any work.

Problems identified	Possible reasons	Solutions
No indicator light displayed on the control panel.	Power supply cable disconnected.	Check power supply cable connection.
	The general power supply is cut.	Check that the switchboard and wall plug are working.
	Fault in power supply unit.	Contact your dealer.
One or more infrared panels do not heat up.	The infrared panel button is positioned to the middle (H01).	Push the button panel to the right or left according to your desire.
	The infrared panel's cable is disconnected.	Check cable connections.
	One of the infrared panels is defective.	Replace the infrared panel with an original component supplied by the manufacturer.
Sauna gives off a smell.	Temperature of the panels or their cables is too high.	Switch off power supply and contact your dealer.
Sauna light fitting no longer work.	Ribbon LED cable not fully plug.	Plug the cable.
	Ribbon LED is defective.	Contact your dealer.
A speaker is not working.	Speaker cable disconnected.	Reconnect the cable.
	Speaker defective.	Contact your dealer.
MP3 player not working.	Power supply cable disconnected.	Reconnect power supply cable.
	MP3 player not switched on.	Check the DC power supply cable and replace if required.
Screen shows a wrong temperature.	Temperature sensor is incorrectly connected or defective.	Reconnect the cable or replace the sensor.

## Servicing

1. Disconnect your sauna.
2. Use a vacuum cleaner to remove dust from crevices in the woodwork.
3. Clean the cabin with a damp cotton cloth and use a small amount of soap if necessary. Rinse with a damp cloth.
4. Clean the glass with a window / glass cleaner and a soft colth.
5. Please check and fasten the screws of the bench once every three months to prevent the play or fall of the seat.

### IMPORTANT:

Do not use benzene, alcohol, chemical agents or strong detergents on the sauna since chemical products can damage the wood. Do not spray water on your sauna.

# Warranty

All the components of Holl's saunas are guaranteed for 2 years.

The warranty comes into force on the date of dispatch (corresponding to the date the invoice is issued).

The warranty does not apply in the following cases:

- Malfunction or damage arising from installation, usage or repair that are not in compliance with the safety instructions.
- Malfunction or damage arising from conditions that are unsuitable for the equipment's originally intended purpose.
- Damage arising from negligence, accident or force majeure (thunderstorm or bad weather).
- Malfunction or damage arising from the use of non-authorized accessories.

The warranty does not cover the costs linked to returning the cabin or part of its components to our workshops of.

Under the warranty, in the event of a breakdown, the items deemed defective by our technicians will be exchanged.

Information and explanations required for their installation will be provided by one of our technicians.

Costs linked to the use of subcontract labour provided by a third party cannot be covered by Holl's.



## IMPORTANT

Do not return the product to the store

Contact your local after sales service on  
[www.holls.fr](http://www.holls.fr) or **POOLSTAR FRANCE**  
ZA les pielettes - 13740 LE ROVE - FRANCE

# Avertissements

***Lisez attentivement ce manuel avant d'utiliser votre sauna pour la première fois.***

***Nous vous recommandons de le conserver précieusement pour de futures consultations.***

- Installer le sauna sur un sol parfaitement plat.
- Le sauna doit rester au sec. Ne pas l'utiliser près d'un point d'eau (baignoire, sol humide, piscine).
- Ne pas utiliser de produits nettoyants liquides. Débrancher le sauna avant de procéder au nettoyage et utiliser un chiffon humide. (voir chap. maintenance).
- Protéger le cordon électrique du sauna pour éviter qu'il soit piétiné ou pincé.
- Avant de procéder au remplacement de certaines pièces, assurez-vous qu'elles soient conçues par le fabricant ou qu'elles aient des caractéristiques semblables aux pièces d'origine. Un mauvais remplacement peut engendrer un incendie, un court-circuit ou une détérioration du sauna. Nous vous recommandons fortement de faire appel à un technicien qualifié.
- Pour éviter les risques de brûlures ou de décharges électriques, n'utilisez aucun outil métallique et ne touchez pas les émetteurs infrarouges.
- Ne pas mettre d'animaux dans le sauna.
- Ne pas faire sécher de linge dans le sauna (risques d'incendies).
- Ne pas laisser le sauna allumé sans surveillance.
- Ne pas laisser le sauna allumé plus de 3 heures d'affilée sous peine de dégrader les équipements prématurément. Après 3 heures d'utilisation continue, éteignez le sauna pendant au moins une heure.
- Nous vous recommandons de ne pas installer de système de fermeture sur la porte du sauna.
- Vérifier la conformité de votre installation électrique avant de procéder au branchement électrique de votre sauna.



# Sécurité

## ATTENTION:

Veillez lire attentivement les consignes de sécurité avant d'installer et d'utiliser votre cabine de sauna. Elles sont essentielles pour votre sécurité, veuillez les respecter rigoureusement.

Attention à l'hyperthermie, insolation et coup de chaleur qui peuvent être provoqués ou accentués par le non respect des consignes de sécurité. Les symptômes sont la fièvre, l'accélération du pouls, le vertige, l'évanouissement, la léthargie, l'engourdissement du corps ou d'une partie du corps. Les effets : Ne plus percevoir la chaleur, ignorance du risque imminent, perte de conscience.

Ne doivent pas utiliser le sauna :

- Les enfants de moins de 6 ans.
- Les personnes ayant des réactions importantes aux rayons du soleil.
- Les personnes âgées ou invalides.
- Les personnes ayant des antécédents médicaux tels que les maladies cardiaques, hypertension / hypotension, problème de circulation sanguine ou diabète sans un avis médical préalable.
- Les femmes enceintes. Une température excessive peut être dangereuse pour le fœtus.
- Les personnes souffrant de déshydratation, plaies ouvertes, maladies des yeux, brûlures, coup de soleil.

Les enfants entre 6 et 16 ans peuvent utiliser le sauna à condition qu'ils soient sous la surveillance constante d'un adulte responsable et que la température ne dépasse pas 60°C (140°F).

En cas de problèmes de santé, de prise de médicament, de blessure musculaire ou ligamentaire, ne pas utiliser le sauna sans consultation et accord préalable d'un médecin.

En cas de port d'implants chirurgicaux ne pas utiliser le sauna sans consultation et accord préalable du chirurgien.

Ne pas utiliser le sauna après un effort intense. Attendez 30 minutes que votre corps refroidisse.

Ne pas faire de séance de sauna de plus de 40 minutes.

Ne pas consommer d'alcool ou de drogue avant ou pendant la séance.

Ne pas dormir dans le sauna lorsque celui-ci est en fonctionnement.

Afin d'éviter les risques de surchauffe, branchez votre sauna sur une prise de courant suffisamment puissante et ne raccordez pas d'autres appareils électriques sur la même prise murale.

Pour éviter tout risque d'électrocution ou de détérioration du sauna, ne pas utiliser le sauna :

- En cas d'orage.
- Si le cordon électrique est endommagé, il devra être remplacé par une personne qualifiée.
- Si le cordon électrique est en surchauffe, il devra être vérifié par une personne qualifiée.
- Si vous devez changer une ampoule, attendre que le sauna soit éteint et qu'il refroidisse.

Séchez-vous les mains avant de brancher ou débrancher le courant. N'agissez jamais avec les mains ou les pieds mouillés.

Ne pas allumer et éteindre frénétiquement le courant ou le système de chauffage car cela pourrait causer des dégâts au système électrique.

Ne pas essayer de réparer le sauna par vous-même sans l'accord du distributeur ou du fabricant du sauna. Les tentatives de réparations non autorisées annuleront la garantie du fabricant.

Pour éviter tout risque de court-circuit :

- Aucun liquide ne doit toucher les émetteurs infrarouges.
- Aucun objet dur ne doit cogner les émetteurs et risquer de les casser.

Ne pas utiliser n'importe quel type de détergent à l'intérieur du sauna.

Ne pas empiler ou stocker d'objets à l'intérieur ou sur le sauna.

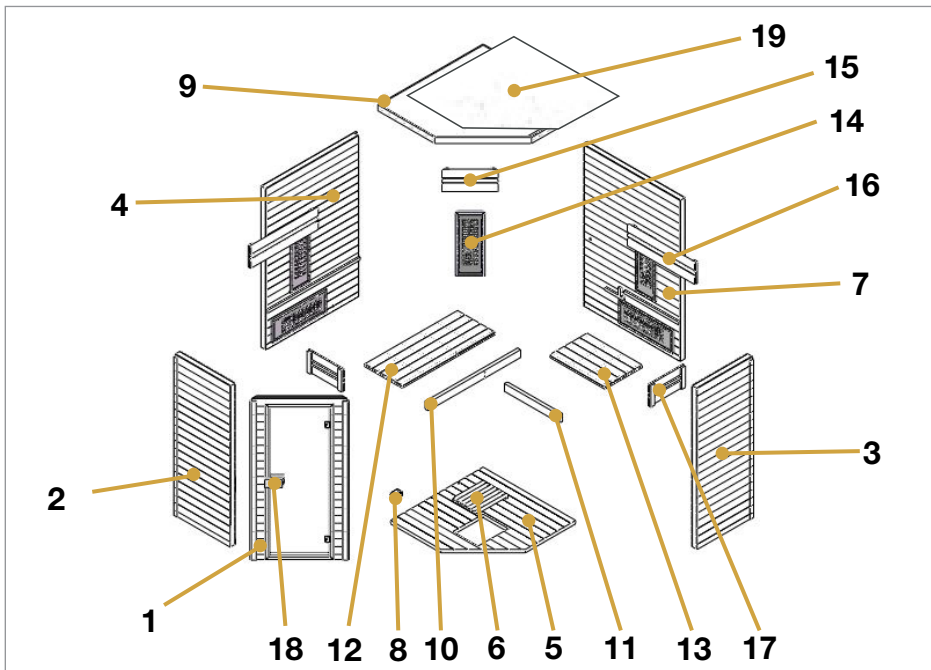
Ne pas entreposer de matières inflammables ou d'agents chimiques près du sauna.





# Description

## Caractéristique technique

<b>Modèle</b>		HL-MW03CE-K	HL-MW03C-K
<b>Bois</b>		Épicéa	Cèdre rouge
<b>Voltage</b>		230 V - 50 Hz	
<b>Émetteurs</b>	<b>Type</b>	Émetteur infrarouge magnésium / quartz 600 L & émetteur carbone	
	<b>Puissance</b>	2550 W - 11,1 A	
	<b>Panneau arrière</b>	350 W x 3	
	<b>Assise</b>	350 W x 2	
	<b>Panneau latéral</b>	350 W x 2	
	<b>Plancher</b>	100 W x 1 (Émetteur carbone)	

## Liste des pièces



	Taille	QTE
	Vis diverses	2
	Ø 3 x 16	1
	Ø 4 x 30	24
	Ø 4 x 45	18
	Ø 4 x 50	6
	Ø 4 x 60	2
	Ø 6 x 60	2
	30 x 20 x2	1

N°	Nom	QTE	N° boîte
1	Panneau avant (1860 x 900 x 50 mm)	1	2
2	Panneau latéral 1 (1860 x 762 x 72 mm)	1	2
3	Panneau latéral 2 (1860 x 762 x 72 mm)	1	2
4	Panneau arrière 1 (1860 x 1262 x 67,5 mm)	1	1
5	Plancher 1 (1232 x 1232 x 40 mm)	1	3
6	Plancher 2 (403 x 334 x 40 mm)	1	3
7	Panneau arrière 2 (1860 x 1302 x 67,5 mm)	1	1
8	Boîtier de dérivation (90 x 68 x 38 mm)	1	3
9	Panneau du haut (1402 x 1402 x 65 mm)	1	3
10	Support de l'assise (1234 x 90 x 40 mm)	1	3
11	Support de l'assise (734 x 90 x 40 mm)	1	3
12	Assise (1234 x 500 x 33 mm)	1	3
13	Assise (734 x 500 x 33 mm)	1	3
14	Émetteur d'angle (746 x 289 x 20 mm)	1	4
15	Appui-tête d'angle (530 x 250 x 38 mm)	1	3
16	Appui-tête arrière (896 x 250 x 38 mm)	2	3
17	Appui-tête latéral (460 x 250 x 38 mm)	2	3
18	Poignée de porte (extérieure : 180 x 95 x 45 mm & intérieure : 120 x 95 x 45 mm)	2	3
19	Couvercle du toit (1376 x 1376 x 3 mm)	1	3

# Installation

Lisez attentivement les instructions de montage avant de commencer l'assemblage.

## Choix de l'emplacement

Les saunas Holl's sont uniquement prévus pour une installation en intérieur.

Choisissez un espace:

- En intérieur, au sec, sur un sol plat et stable, pouvant supporter le poids de votre sauna.
- La hauteur doit être suffisante pour vous permettre d'accéder au toit et de réaliser les branchements électriques et la maintenance.
- Éloigner de toute source d'eau, de flamme ou de substances inflammables.

## Conseils pratiques

- Notez que le montage du sauna requiert deux à trois adultes.
- Identifiez clairement chaque panneau avant de commencer.
- Pendant le montage, placez le cordon d'alimentation de votre sauna de sorte qu'il soit facilement accessible.
- Notez que des variations existent selon les modèles.

### ATTENTION:

Vérifier les trous et leurs diamètres pour éviter d'endommager le bois.  
La hauteur minimale requise pour l'installation est de 2020 mm.

FR

## Outils nécessaires



Tournevis  
cruciforme



Mètre



Escabeau



Crayon

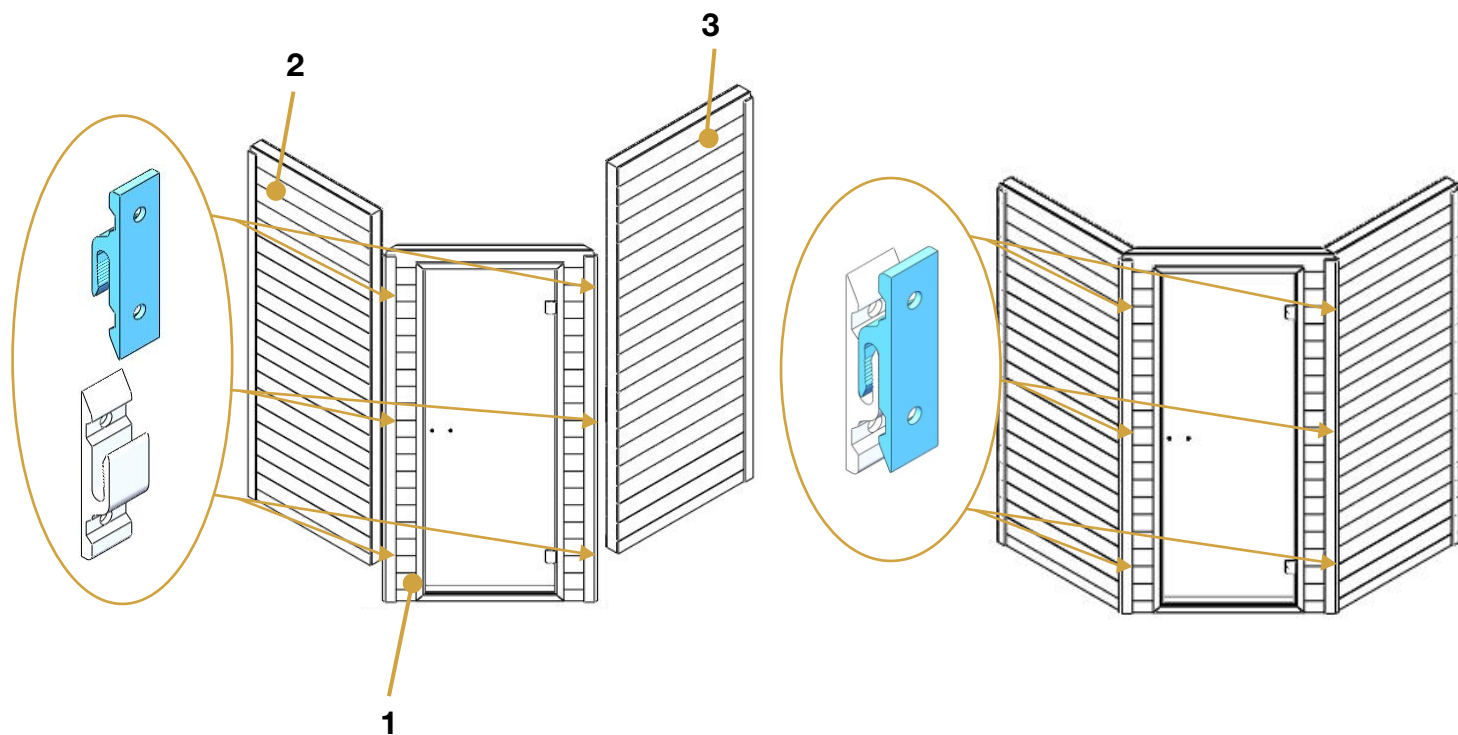


Cutter

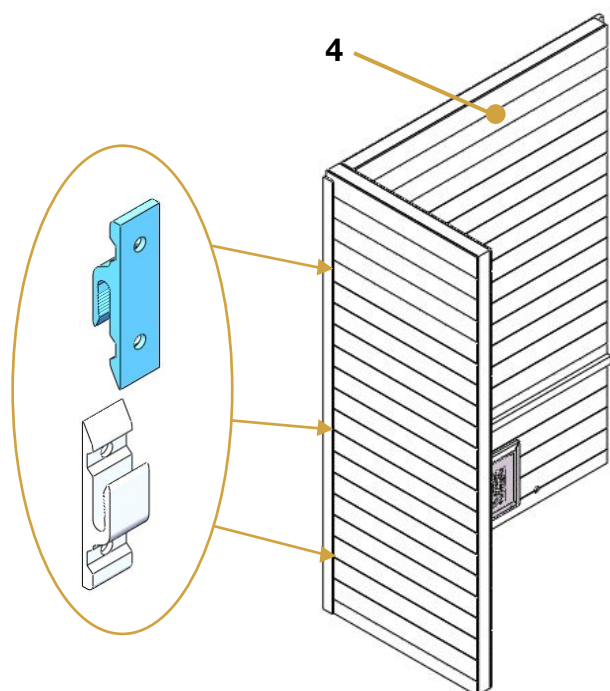
# Assemblage

## Étapes de l'assemblage

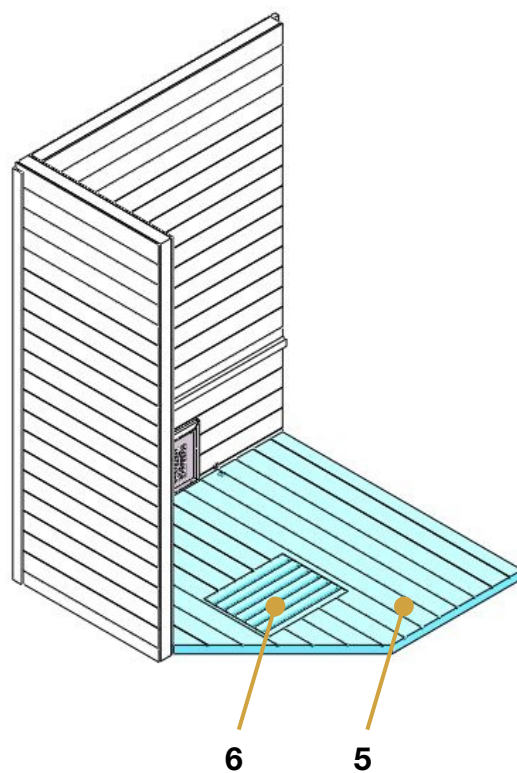
Étape 1 :



Étape 2 :

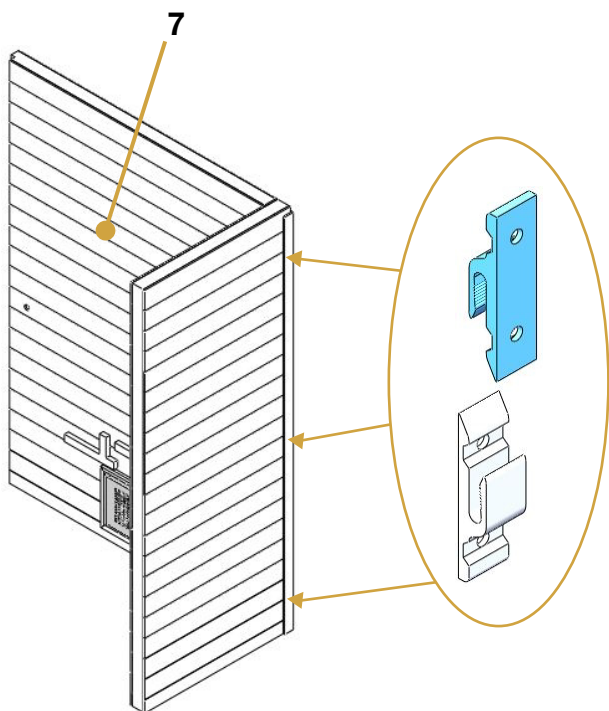


Étape 3 :

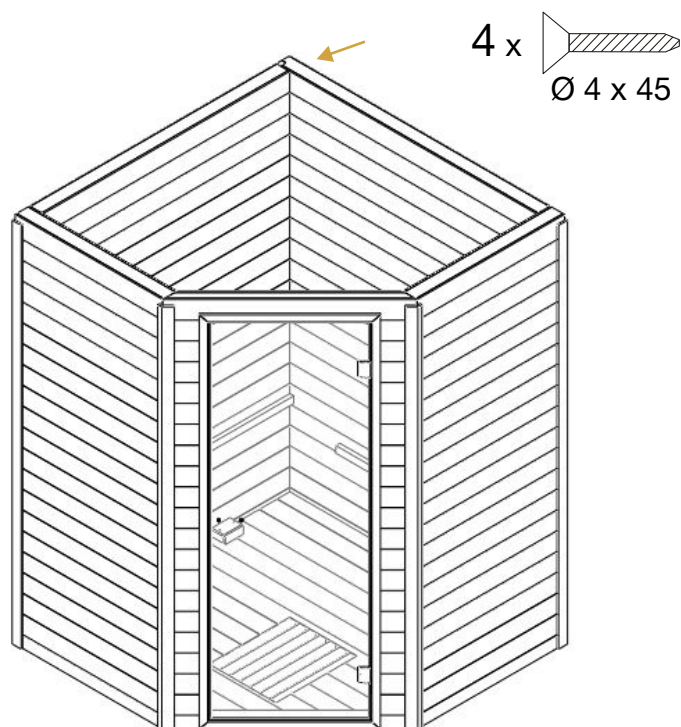


# Assemblage

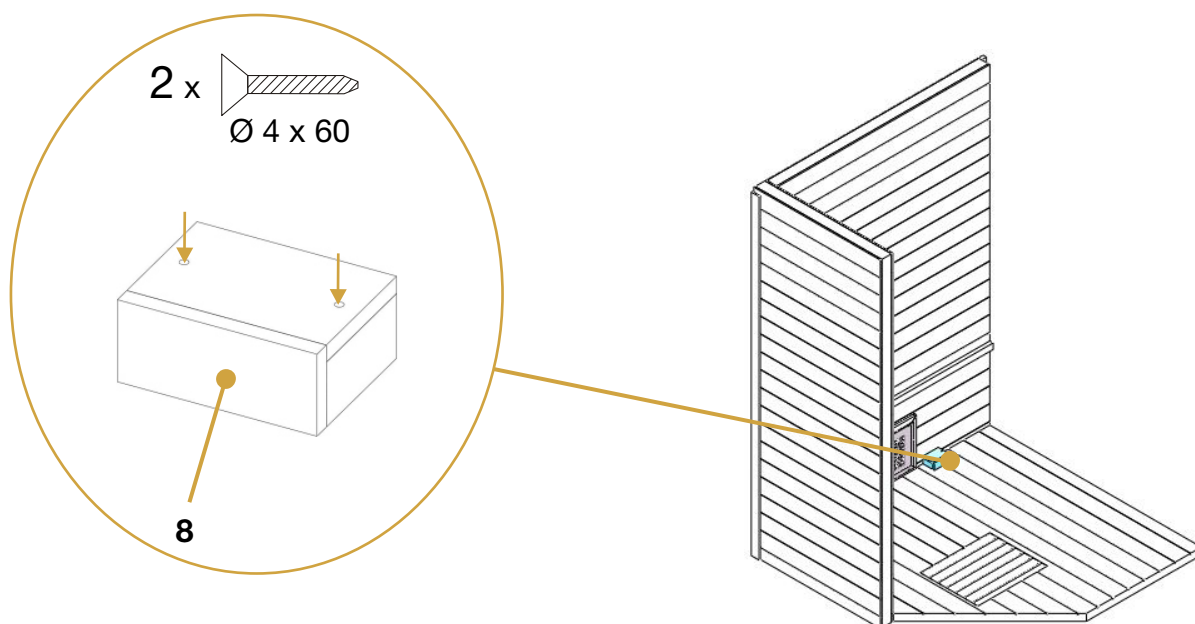
Étape 4 :



Étape 5 :



Étape 6 :

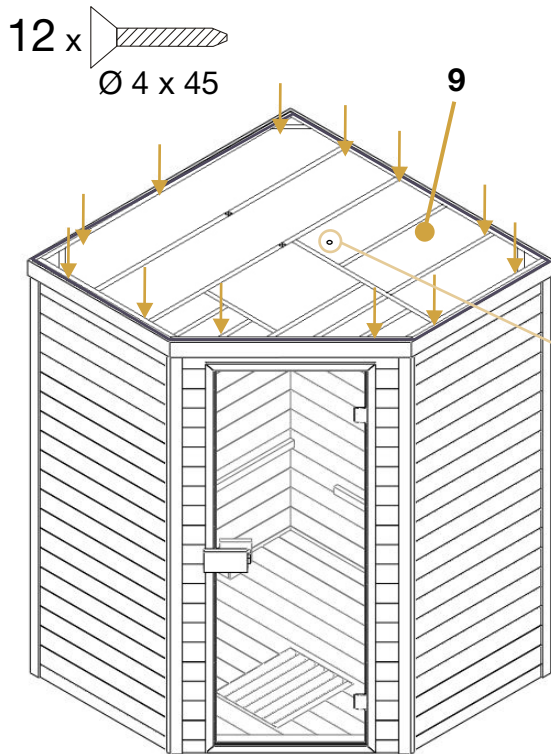


Remarque :  
Connecter le câble de l'émetteur.

FR

# Assemblage

Étape 7 :



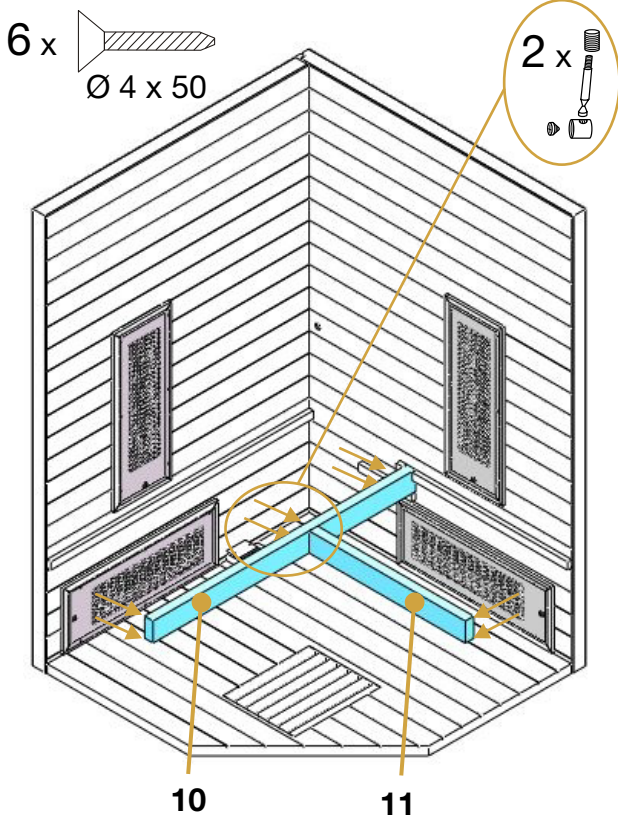
Remarque:

Assurez-vous que le capteur de température est à environ 2 cm du tuyau de silicone.

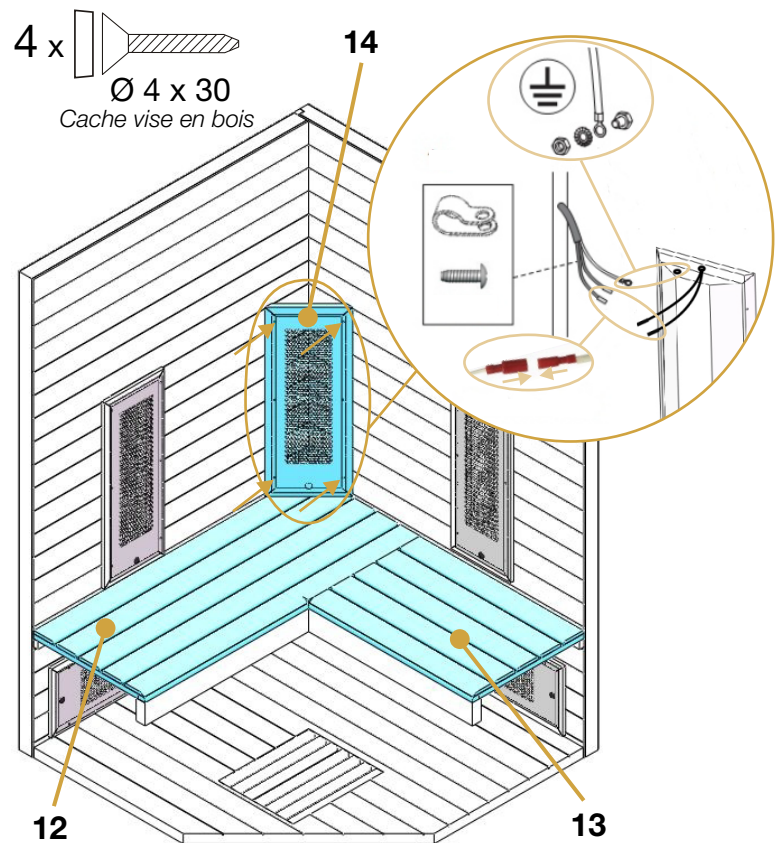
(Tuyau > 3 cm + capteur > 2 cm = 5 cm du plafond).



Étape 8 :

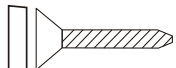


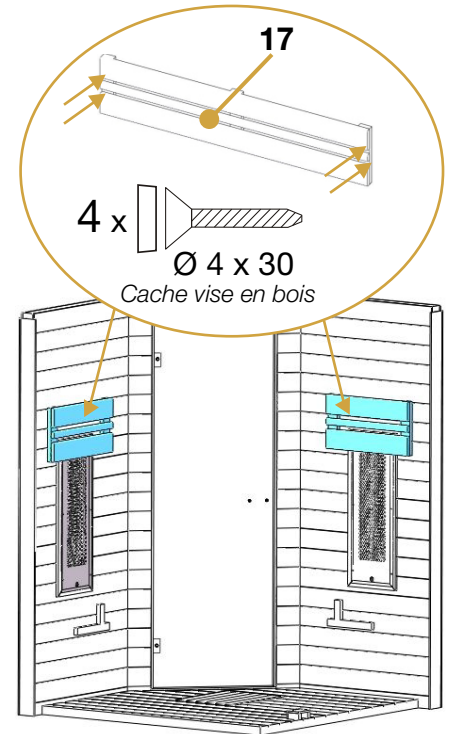
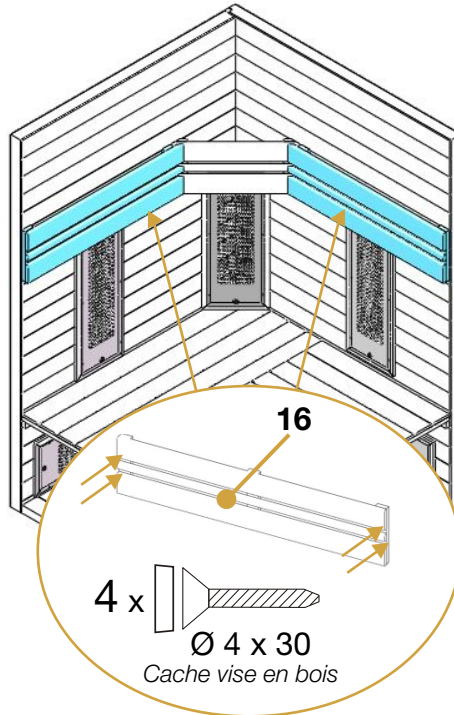
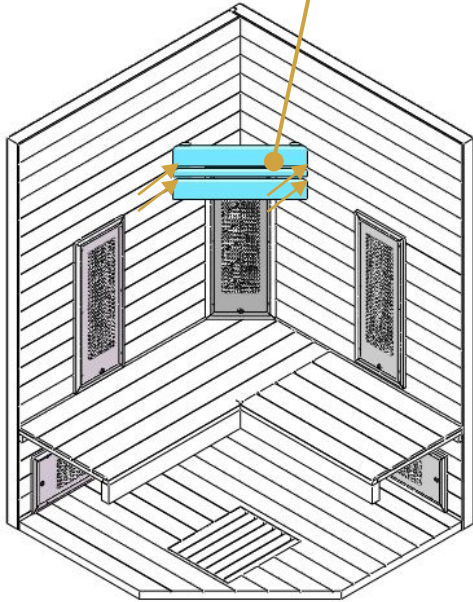
Étape 9 :



# Assemblage

Étape 10 :

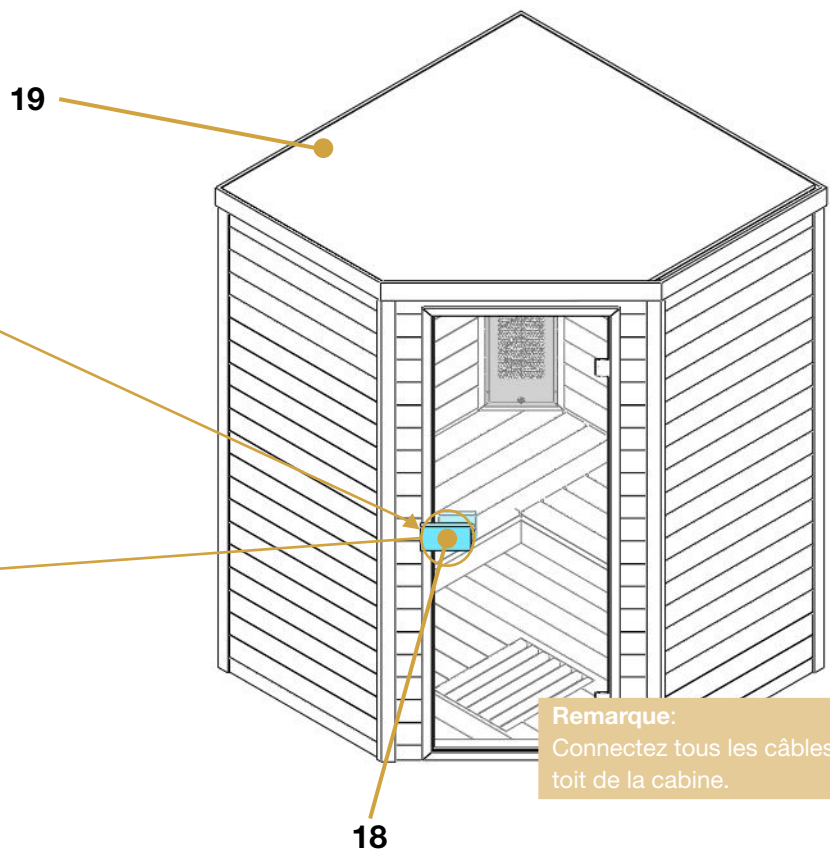
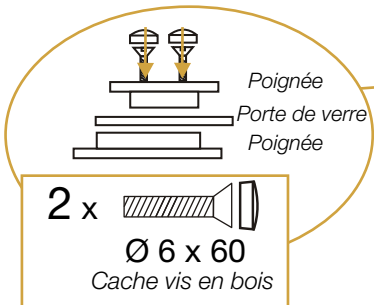
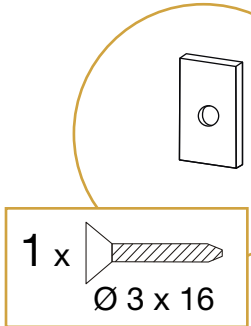
4 x  Ø 4 x 30  
Cache vise en bois



**Remarque:**

La distance entre les appuis-tête et les assises doit être de 693mm.

Step 11 :

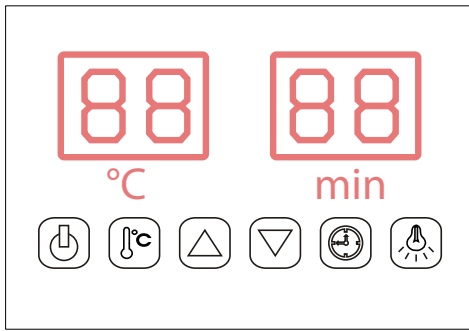


**Remarque:**

Connectez tous les câbles sur le toit de la cabine.

FR

# Utilisation



ON / OFF



Réglage de la température



Temps / Température +



Couleur de la lumière




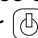
Réglage du minuteur





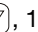
Temps / Température -

Connectez l'unité d'alimentation à la prise murale, l'indicateur LED clignotera sur l'afficheur. Il est maintenant possible d'allumer les émetteurs infrarouges, la lumière et la musique.

## Commencer

Appuyez sur  pour allumer l'afficheur et les émetteurs infrarouge, la durée de la séance est automatiquement réglée à 99 minutes et la température à l'intérieur de la cabine est affichée. Appuyez de nouveau sur  pour éteindre les émetteurs.

## Paramètres de température

La partie gauche de l'afficheur fait référence à la température de l'air. Appuyez sur , vous pouvez régler la température souhaitée entre 35°C et 60°C en appuyant sur  ou , 1 pression = 1°C.

La température réglée clignote 10 secondes puis l'afficheur présente automatiquement la température de l'air.




Lorsque la température de consigne est atteinte, les émetteurs s'arrêtent de fonctionner.

Lorsque la température est de 2°C en dessous de la température de consigne, les émetteurs redémarrent automatiquement.

### Remarque :

La température maximale de l'air atteignable dans la cabine peut être inférieure à la température souhaitée. Cela dépend de la température à l'extérieur de la cabine. Température par défaut = 40 ° C.

## Paramètres du minuteur


La partie droite de l'afficheur fait référence à la durée. Appuyez sur , vous pouvez régler la durée de la séance de 5 à 99 minutes en appuyant sur  ou , 1 pression = 1 minute.


Le temps réglé clignote 10 secondes puis l'afficheur présente automatiquement la température de l'air.

Lorsque le temps est écoulé, les émetteurs s'arrêtent de fonctionner.

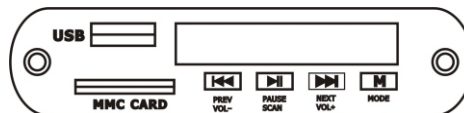
Temps par défaut = 99 minutes.


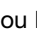
## Couleur de la lumière


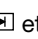



Appuyez sur , vous pouvez choisir la couleur désirée (7 couleurs au total) et éteindre la lumière.

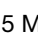
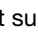
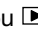


Appuyez longtemps sur  pour passer au cycle automatique, la couleur changera toutes les 5 secondes.

## Lecteur MP3




Appuyez longtemps sur  pour allumer/éteindre le lecteur MP3. Vous pouvez sélectionner le mode d'utilisation en appuyant sur le bouton  : USB ou MMC CARD (si présente) --- Bluetooth --- radio FM --- LINE (inutilisé).


*Mode USB/SD ou Bluetooth :* Vous pouvez sélectionner les morceaux en appuyant sur  ou  et ajuster le volume (0 - 32) en appuyant longtemps sur  ou . Le bouton  permet de mettre en pause le morceau.


*Mode radio FM :* Appuyez longtemps sur  pour rechercher automatiquement les stations (87.5 MHz - 108 MHz), le système les sauvegardera automatiquement. Vous pouvez sélectionner une station en appuyant sur  ou  et ajuster le volume (0 - 32) en appuyant longtemps sur  ou .

## Technologie infrarouge

Le bouton est présent sur chaque émetteur et permet de choisir la technologie utilisée :

Poussez  du côté des 2 traits pour que l'émetteur utilise la technologie quartz.

Poussez  du côté du cercle (au centre) pour éteindre l'émetteur.

Poussez  du côté du seul trait pour que l'émetteur utilise la technologie magnésium.



# Utilisation

## Guide d'utilisation

1. Réglez la température de votre sauna entre 35 et 40°C.
2. Le sauna préchauffe en 5 à 10 minutes. Nous vous recommandons d'ajouter ce temps de préchauffage au temps de votre séance. Exemple : vous voulez faire une séance de 30 minutes, programmez 40 minutes et rentrez dans la cabine une fois que le sauna sera chaud.
3. Profitez du temps de chauffe pour prendre une douche ou un bain chaud avant la séance.
4. Quand la température choisie sera atteinte, les appareils de chauffage se mettront en veille de façon à maintenir une température constante.
5. Buvez de l'eau avant, pendant et après la séance. Cela vous permettra d'équilibrer la perte d'eau par sudation.
6. Pour absorber la transpiration et garder votre sauna sec, il est conseillé de disposer une serviette sur le banc et le sol de la cabine. Gardez une troisième serviette à proximité pour enlever l'excès de transpiration.
7. La sudation commencera entre 6 et 15 minutes après le début de la séance. Nous vous recommandons de ne pas dépasser 30 minutes de séance.
8. Vous pouvez ouvrir la porte à n'importe quel moment pour introduire de l'air frais pendant votre séance. La propriété unique du chauffage infrarouge consiste à chauffer directement l'organisme sans réchauffer l'air ambiant. Cela vous permet de pratiquer une séance avec la porte entrouverte sans minimiser ses effets.
9. Après la séance, vous pouvez laisser votre corps transpirer encore un peu en restant dans le sauna éteint, porte ouverte, avant de prendre une douche tiède pour vous débarrasser des toxines.

## Conseils

- Pour de beaux cheveux, vous pouvez les enduire d'huile (de jojoba par exemple) ou d'un soin et les envelopper dans une serviette. La séance terminée, lavez-les avec un shampoing extra doux.
- Pour apaiser les tensions musculaires, massez-vous les zones endolories pendant la séance.
- Profitez de ce bain de chaleur pour étirer vos muscles en douceur.
- Aux premiers signes de froid, augmentez la fréquence de vos séances pour activer votre système immunitaire.

# Maintenance & entretien

## Maintenance

### ATTENTION :

Débranchez le câble d'alimentation de la cabine avant toute intervention.

Problèmes constatés	Raisons possibles	Solutions
Aucun voyant lumineux ne s'allume sur le panneau de contrôle.	Le cordon d'alimentation est débranché.	Vérifiez le branchement du cordon d'alimentation.
	L'alimentation générale est coupée.	Vérifiez le bon fonctionnement du tableau électrique et de la prise murale.
	Défaillance du boîtier d'alimentation.	Contactez votre revendeur.
Un ou plusieurs émetteurs infrarouges ne chauffent pas.	Le bouton de l'émetteur est positionné au centre (⊙).	Basculer le bouton à droite ou à gauche selon votre envie.
	Le câble de raccordement de l'émetteur infrarouge est déconnecté.	Contrôlez le branchement des câbles.
	L'un des émetteurs infrarouges est défectueux.	Remplacez l'émetteur infrarouge par une pièce originale fournie par le fabricant.
Une odeur émane du sauna.	La température des panneaux ou de leurs câbles est trop élevée.	Coupez l'alimentation et contactez votre revendeur.
Le luminaire du sauna ne fonctionne plus.	Le câble d'alimentation du ruban LED n'est pas bien branché.	Brancher le câble d'alimentation.
	Le ruban LED est défectueux.	Contactez votre revendeur.
Un haut-parleur ne fonctionne pas.	Le câble du haut-parleur est déconnecté.	Reconnectez le câble.
	Le haut-parleur est défectueux.	Contactez votre revendeur.
Le lecteur MP3 ne fonctionne pas.	Le câble d'alimentation est déconnecté.	Reconnectez le câble d'alimentation.
	Le lecteur MP3 n'est pas sous tension.	Contrôlez le câble d'alimentation et remplacez-le le cas échéant.
L'écran indique une mauvaise température.	La sonde de température n'est pas correctement branchée ou est défectueuse.	Rebranchez le câble ou remplacez la sonde.

## Entretien

1. Débranchez votre sauna.
2. Utilisez un aspirateur pour retirer toutes les poussières des interstices du bois.
3. Nettoyez la cabine avec une serviette en coton humide, si nécessaire utilisez une petite quantité de savon. Rincez en utilisant une serviette humide.
4. Nettoyez le verre avec un nettoyant pour vitre et un chiffon doux.
5. Vérifier et resserrez les vis du banc une fois tous les 3 mois pour éviter qu'il y ai du jeu ou une chute de l'assise.

### ATTENTION:

N'utilisez pas de benzène, d'alcool, de produits chimiques ou de nettoyants forts sur le sauna car les produits chimiques peuvent endommager le bois. Ne pas pulvériser d'eau sur votre sauna.

# Garantie

L'ensemble des éléments composant les saunas sont garantis 2 ans.

La date d'entrée en vigueur de la garantie est la date d'expédition (correspondant à la date d'édition de la facture).

La garantie ne s'applique pas dans les cas suivants :

- Dysfonctionnement ou dommage résultant d'une installation, d'une utilisation ou d'une réparation non conforme aux consignes de sécurité.
- Dysfonctionnement ou dommage résultant de conditions impropres à l'usage initialement prévu de l'appareil.
- Dommage résultant d'une négligence, d'un accident ou d'un cas de force majeure (orage et intempérie).
- Dysfonctionnement ou dommage résultant de l'utilisation d'accessoires non autorisés.

La garantie ne prend pas en charge les frais liés à un rapatriement de la cabine ou d'une partie de ses composants dans nos ateliers. Dans le cadre de la garantie, en cas de panne, les pièces jugées défectueuses par nos techniciens seront échangées. Les informations et explications nécessaires à leur installation seront fournies par l'un de nos techniciens. Les frais liés à l'emploi d'une main d'œuvre tierce ne pourront être pris en charge par Holl's.

FR



## IMPORTANT

Ne retournez pas le produit au magasin

Contactez votre centre de service après-vente local sur  
[www.holls.fr](http://www.holls.fr) ou **POOLSTAR FRANCE**  
ZA les pielettes - 13740 LE ROVE - FRANCE

# Advertencias

***Lea detenidamente este manual antes de utilizar su sauna por primera vez.***

***Le aconsejamos que lo guarde en un lugar seguro para futuras consultas.***

- Instale la sauna en una superficie plana.
- La sauna debe situarse en un lugar seco. No la utilice en las inmediaciones de una fuente de humedad (bañeras, suelos húmedos, piscinas, etc.).
- No utilice productos de limpieza líquidos. Desconecte la sauna antes de proceder a limpiarla y utilice un trapo húmedo (consulte el capítulo sobre mantenimiento).
- Proteja el cable eléctrico de la sauna para evitar pisarlo o aplastarlo.
- Antes de cambiar cualquier pieza, asegúrese de que se trata de repuestos especificados por el fabricante o de que sus características son semejantes a las de las piezas originales. Cualquier repuesto no apto podría dar lugar al deterioro de la sauna o provocar un incendio o cortocircuito. Le aconsejamos encarecidamente que se ponga en contacto con un técnico cualificado.
- Para evitar el riesgo de quemaduras o descargas eléctricas, no utilice ningún objeto metálico ni toque los emisores de infrarrojos.
- No meta ningún animal dentro de la sauna.
- No utilice la sauna para secar prendas u otros materiales (riesgo de incendio).
- No deje la sauna encendida sin supervisión.
- No deje la sauna encendida durante más de 3 horas seguidas o el equipo podría deteriorarse prematuramente. Después de 3 horas de uso continuo, permita que la sauna descanse durante al menos una hora.
- Le aconsejamos que no instale un sistema de cierre en la puerta de la sauna.
- Verifique la conformidad de su instalación eléctrica antes de proceder a la conexión eléctrica de la sauna.

# Seguridad

## ATENCIÓN:

Lea detenidamente las instrucciones de seguridad antes de instalar y utilizar la cabina de la sauna. Son fundamentales para su seguridad, por lo que debe asegurarse de respetarlas en todo momento.

En caso contrario, podría provocarse o acentuarse una hipertermia, una insolación o un golpe de calor. Entre sus síntomas se incluyen fiebre, aceleración del pulso, vértigo, desmayos, letargia y entumecimiento del cuerpo o de alguna parte del cuerpo. Efectos : Falta de percepción del calor, desconocimiento del riesgo inminente, pérdida del conocimiento.

Las siguientes personas no deberían utilizar la sauna:

- Los niños menores de 6 años.
- Las personas que sufren reacciones significativas ante los rayos del sol.
- Las personas mayores o discapacitadas.
- Las personas con antecedentes médicos como enfermedades cardíacas, hipertensión/hipotensión, problemas de circulación sanguínea o diabetes sin haber consultado antes con un médico.
- Las mujeres embarazadas, ya que la temperatura excesiva puede ser peligrosa para el feto.
- Las personas que padecen deshidratación, enfermedades oculares, quemaduras o golpes de sol, o que poseen heridas abiertas.

Los menores de entre 6 y 16 años pueden utilizar la sauna siempre y cuando se disponga de la supervisión de un adulto en todo momento y que la temperatura no exceda los 60 °C (140 °F).

Si padece cualquier problema de salud, lesión muscular o de los ligamentos, o está tomando algún medicamento, no utilice la sauna sin consultar previamente con un médico.

En caso de implantes quirúrgicos, no utilice la sauna sin consultar previamente con un cirujano.

No utilice la sauna después de haber realizado un esfuerzo físico considerable. Espere 30 minutos hasta que su cuerpo se haya enfriado.

No permanezca en la sauna durante más de 40 minutos.

No consuma alcohol ni ingiera drogas antes o durante la sesión en la sauna.

No se duerma dentro de la sauna mientras esté en funcionamiento.

A fin de evitar el riesgo de sobrecalentamiento, enchufe la sauna a una toma de corriente de la potencia adecuada y no enchufe otros aparatos eléctricos a dicha toma.

Para evitar cualquier riesgo de electrocución o deterioro de la sauna, no la utilice:

- Durante una tormenta.
- Si el cable eléctrico se ha deteriorado, deberá sustituirlo un técnico cualificado.
- Si el cable eléctrico se ha sobrecalentado, deberá comprobarlo un técnico cualificado.
- Si se debe cambiar una bombilla, espere a que la sauna esté apagada y se haya enfriado.

Séquese las manos antes de activar o desactivar la corriente. No manipule nunca el equipo con las manos o los pies húmedos.

No active y desactive la corriente o el sistema de calentamiento varias veces de manera rápida, ya que podría dañar la instalación eléctrica.

No intente reparar la sauna por su cuenta sin previo acuerdo del distribuidor o fabricante de la sauna.

Cualquier intento de reparación no autorizado anulará la garantía del fabricante.

Para evitar cualquier riesgo de cortocircuito:

- Impida que cualquier líquido entre en contacto con los emisores de infrarrojos.
- Evite que cualquier objeto rígido toque los emisores, ya que podría dañarlos.

No utilice ningún tipo de detergente en el interior de la sauna.

No apile ni almacene objetos dentro o encima de la sauna.

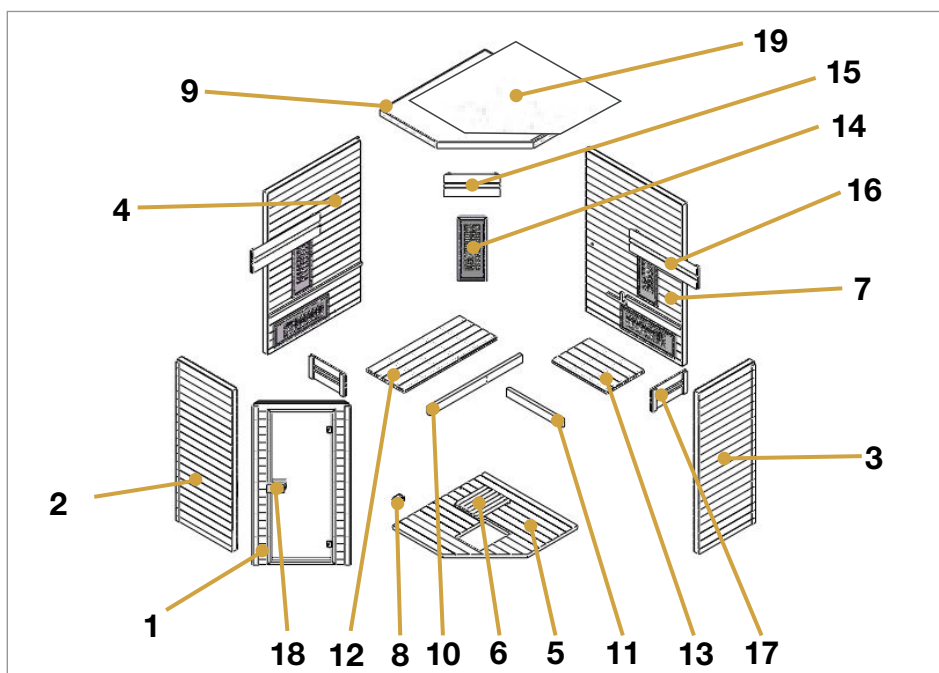
No coloque materiales inflamables o agentes químicos cerca de la sauna.




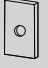
# Descripción

## Características técnicas

<b>Modelo</b>	HL-MW03CE-K	HL-MW03C-K
<b>Madera</b>	Picea	Cedro rojo
<b>Tensión</b>	230 V - 50 Hz	
<b>Emisores</b>	<b>Tipo</b>	Emisor infrarrojos magnesio / cuarzo 600 L y emisor de carbono
	<b>Potencia</b>	2550 W - 11,1 A
	<b>Panel trasero</b>	350 W x 3
	<b>Asiento</b>	350 W x 2
	<b>Panel lateral</b>	350 W x 2
	<b>Suelo</b>	100 W x 1 (Panel de carbono)

## Lista de piezas



	Tamaño	CANT.
	Tornillería diversa	2
	Ø 3 x 16	1
	Ø 4 x 30	24
	Ø 4 x 45	18
	Ø 4 x 50	6
	Ø 4 x 60	2
	Ø 6 x 60	2
	30 x 20 x2	1

Nº	Nombre	CANT.	Nº Caja
1	Panel delantero (1860 x 900x 50 mm)	1	2
2	Panel lateral 1 (1860 x 762 x 72 mm)	1	2
3	Panel lateral 2 (1860 x 762 x 72 mm)	1	2
4	Panel trasero 1 (1860 x 1262 x 67,5 mm)	1	1
5	Suelo 1 (1232 x 1232 x 40 mm)	1	3
6	Suelo 2 (403 x 334 x 40 mm)	1	3
7	Panel trasero 2 (1860 x 1302 x 67,5 mm)	1	1
8	Caja de derivación (90 x 68 x 38 mm)	1	3
9	Panel superior (1402 x 1402 x 65 mm)	1	3
10	Soporte del asiento (1234 x 90 x 40 mm)	1	3
11	Soporte del asiento (734 x 90 x 40 mm)	1	3
12	Asiento (1234 x 500 x 33 mm)	1	3
13	Asiento (734 x 500 x 33 mm)	1	3
14	Emisor de esquina (746 x 289 x 20 mm)	1	4
15	Reposacabezas de esquina (530 x 250 x 38 mm)	1	3
16	Reposacabezas trasero (896 x 250 x 38 mm)	2	3
17	Reposacabezas lateral (460 x 250 x 38 mm)	2	3
18	Empuñadura de puerta (exterior: 180 x 95 x 45 mm e interior: 120 x 95 x 45 mm)	2	3
19	Couvercle du toit (1376 x 1376 x 3 mm)	1	3

# Instalación

Antes de proceder al ensamblaje, lea detenidamente las instrucciones de montaje.

## Elección de una ubicación

Las saunas Holl's se han diseñado para instalarse en interiores.

Elija un lugar :

- De interior, seco, en una superficie plana y estable, y capaz de soportar el peso de la sauna.
- La altura debe ser tal que le permita acceder al techo y realizar la instalación eléctrica, así como tareas de mantenimiento.
- Coloque la sauna alejada de cualquier fuente de humedad, llama o sustancia inflamable.

## Consejos prácticos

- Tenga en cuenta que para montar la sauna se requieren 2 o 3 adultos.
- Identifique claramente cada panel antes de comenzar.
- Durante el montaje, coloque el cable de alimentación de la sauna de manera que pueda acceder a él fácilmente.
- Tenga en cuenta que las características de los distintos modelos varían.

### ATTENTION:

Vérifier les trous et leurs diamètres pour éviter d'endommager le bois.

La hauteur minimale requise pour l'installation est de 2020 mm.

## Tools needed



Destornillador de cruz



Cinta métrica



Alzador



Lápiz

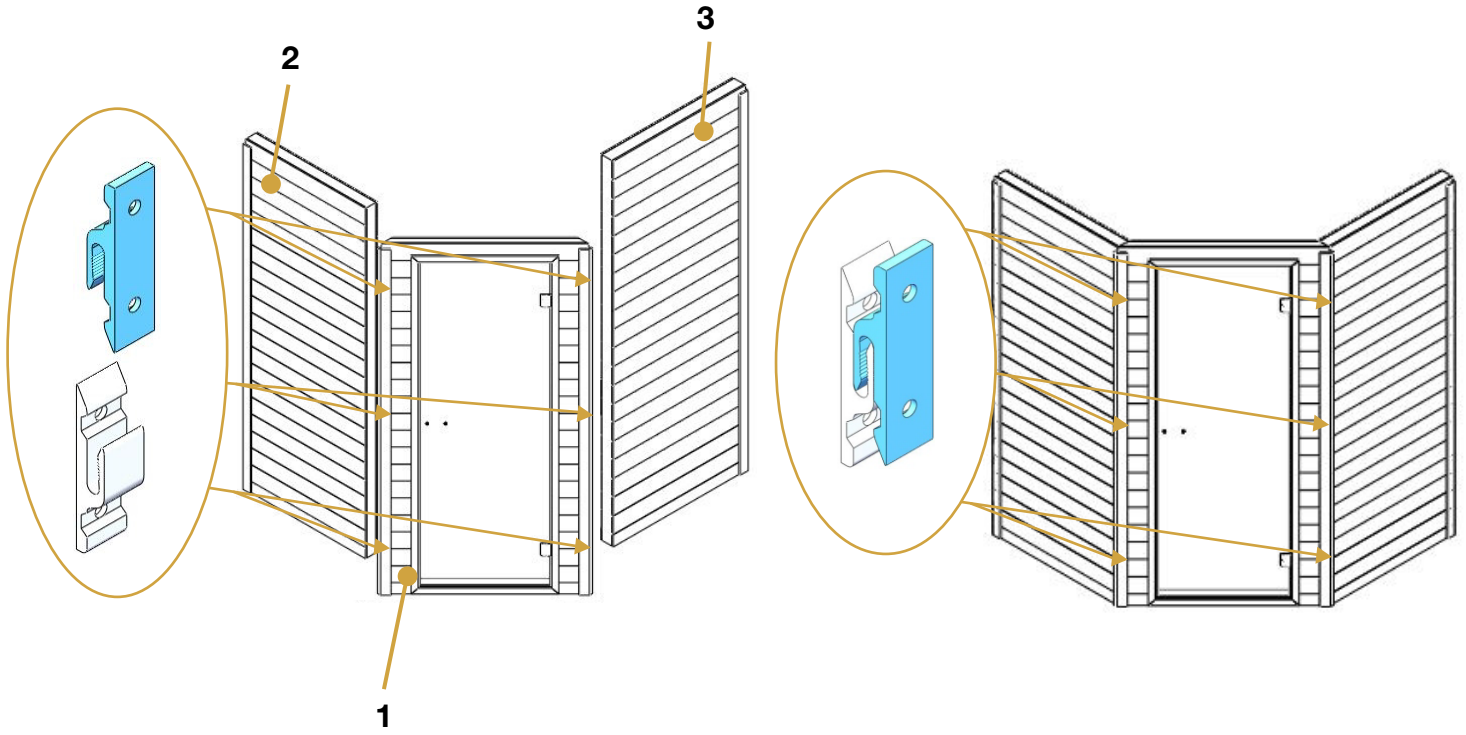


Cuchilla

# Ensamblaje

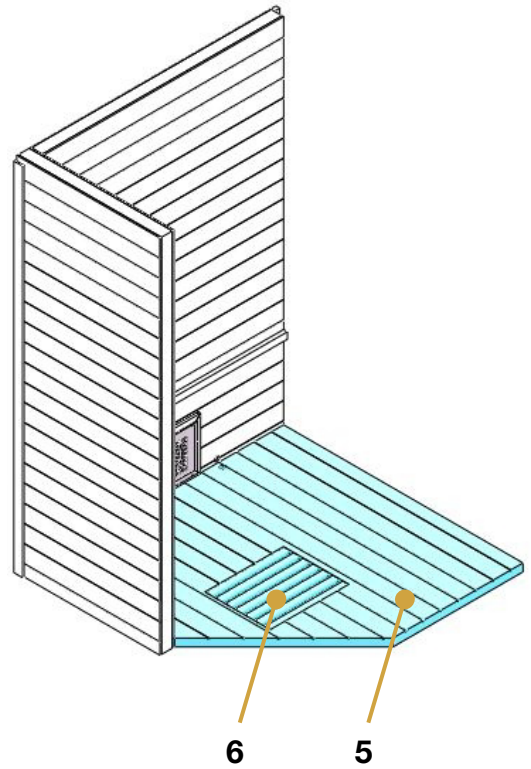
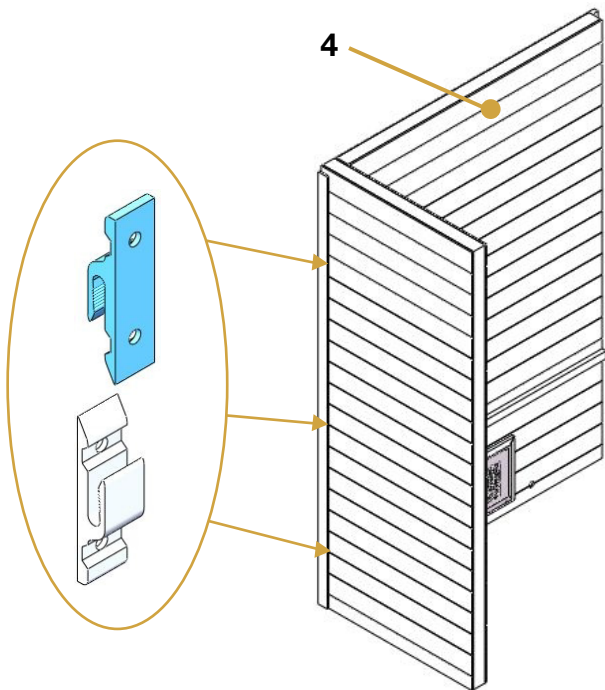
## Etapas del montaje

Etapa 1:



Etapa 2:

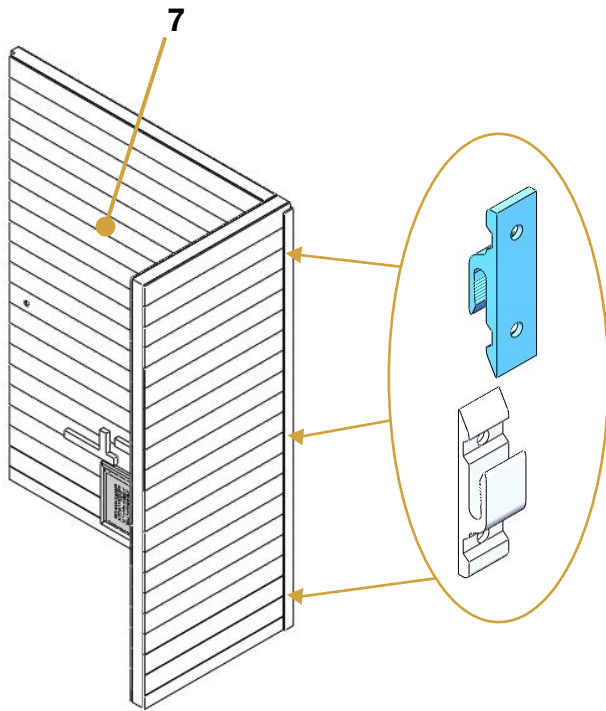
Etapa 3:



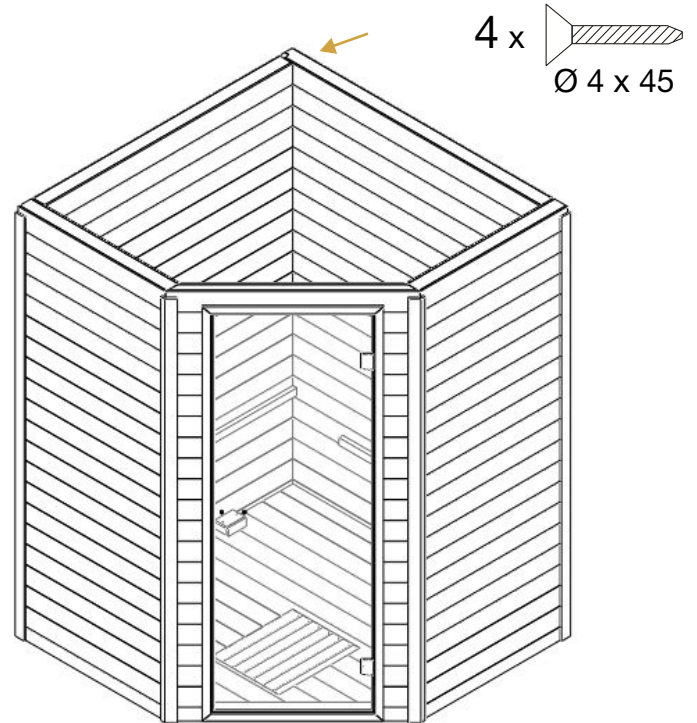


# Ensamblaje

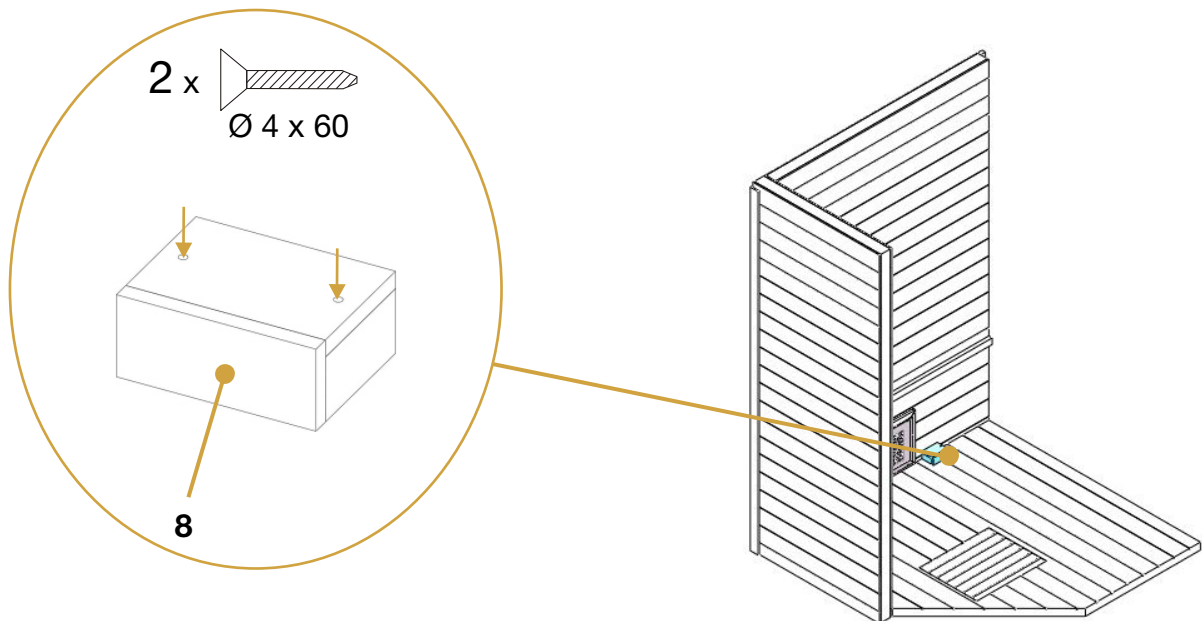
Etapa 4:



Etapa 5:



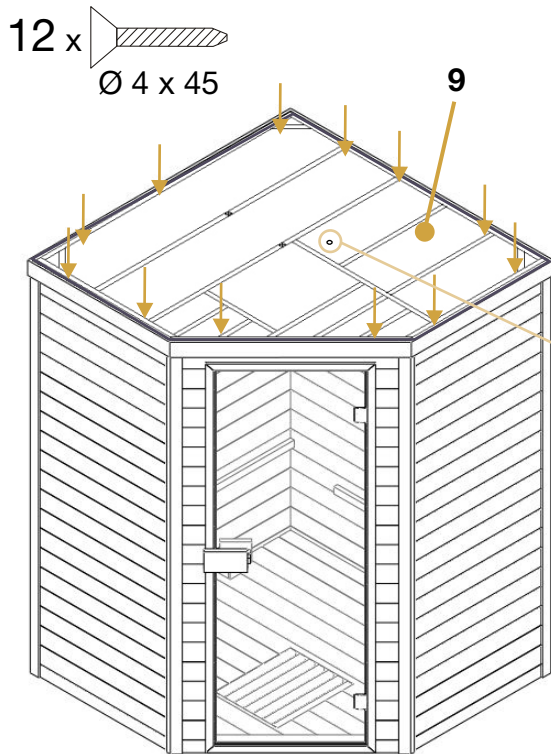
Etapa 6:



**Observaciones:**  
Conecte el cable del emisor.

# Ensamblaje

Etapa 7:



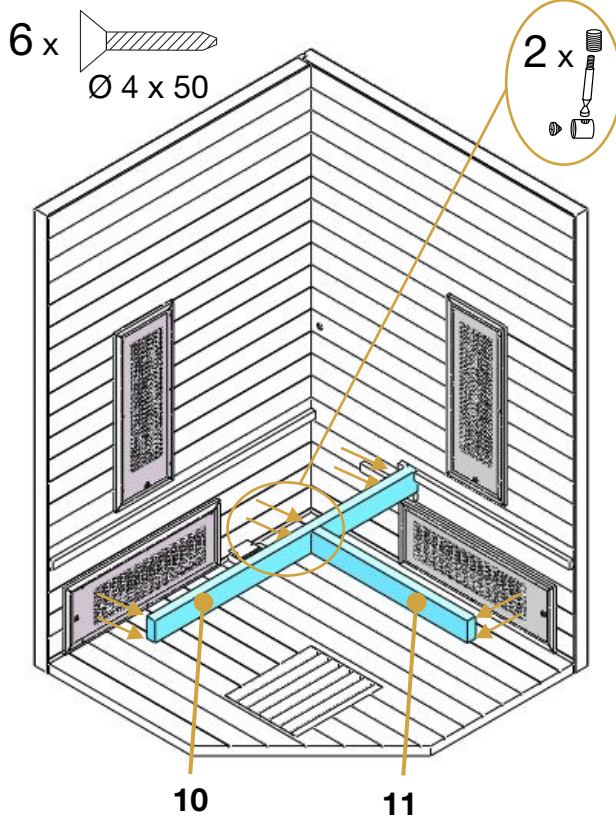
**Observaciones:**

Asegúrese de que el sensor de temperatura está a unos 2 cm del tubo de silicona.

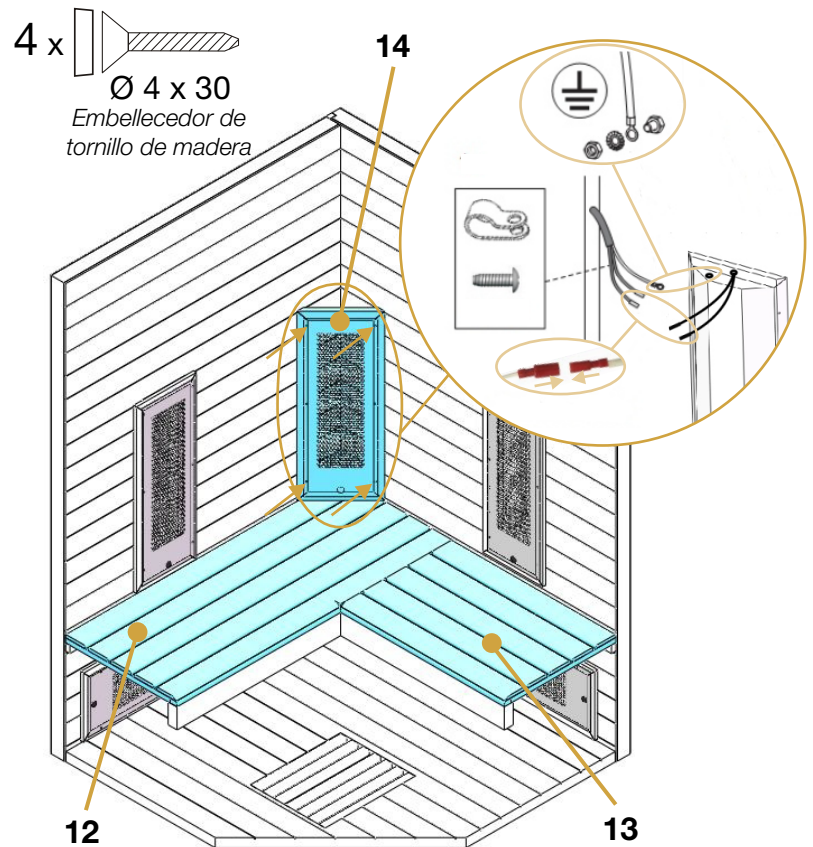
(Tubo > 3 cm + sensor > 2 cm = 5 cm del techo).



Etapa 8:

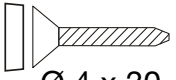


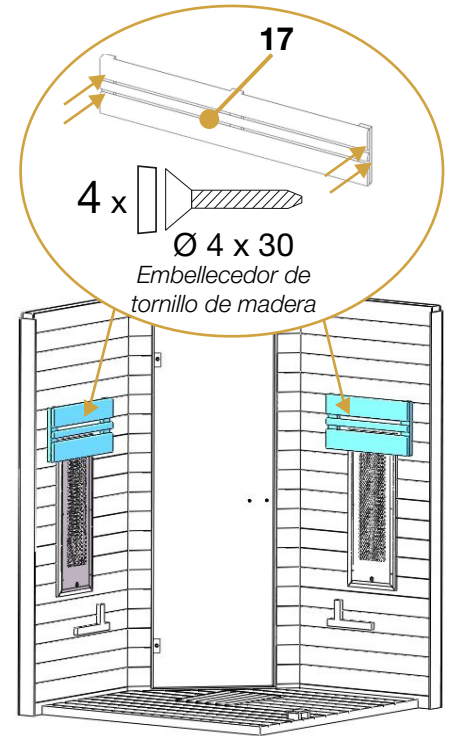
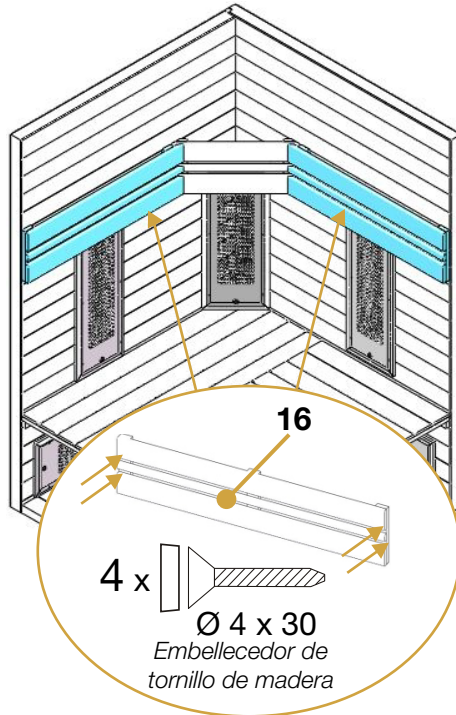
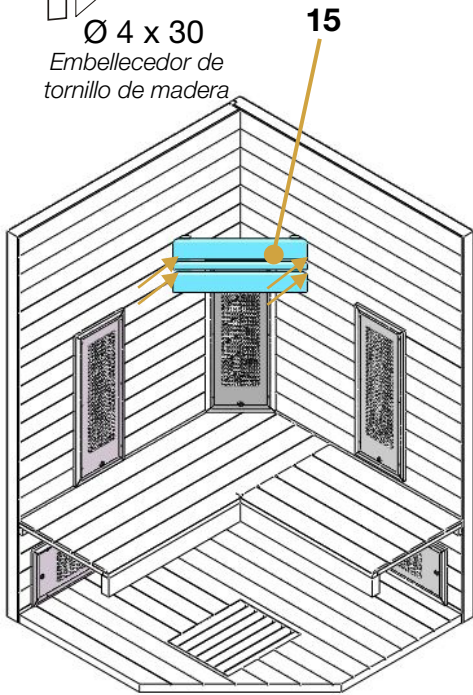
Etapa 9:



# Ensamblaje

Etapa 10:

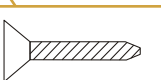
4 x   
 Ø 4 x 30  
 Embellecedor de  
 tornillo de madera


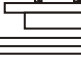



**Observaciones:**

La distancia entre los reposacabezas y el suelo deberá ser de 693 mm.

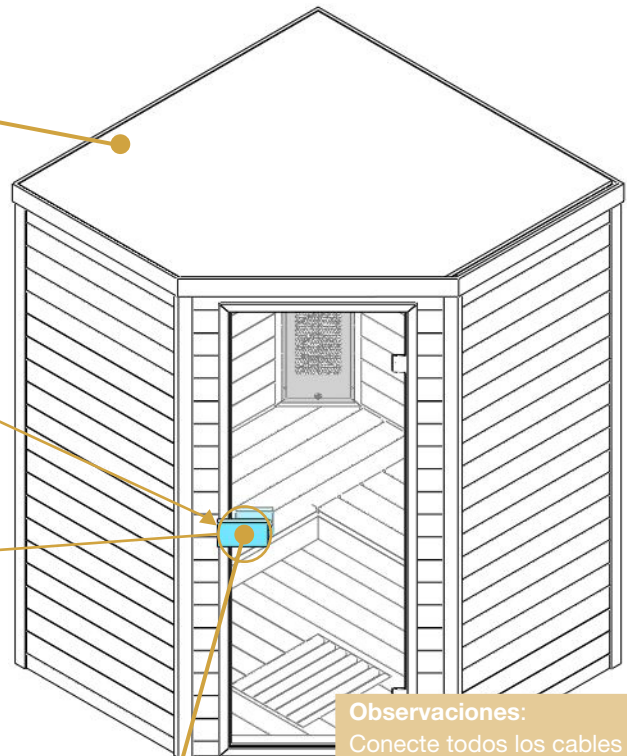
Etapa 11:

1 x   
 Ø 3 x 16

 Empuñadura  
 Puerta de cristal  
 Empuñadura

2 x   
 Ø 6 x 60  
 Embellecedor de  
 tornillo de madera

19

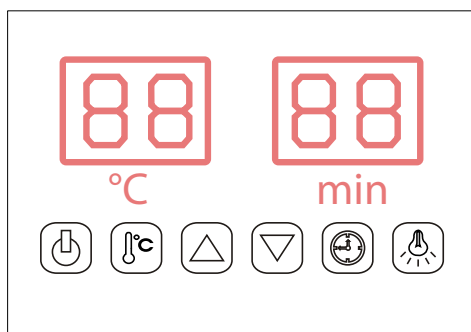


**Observaciones:**

Conecte todos los cables en el techo de la cabina.

18

# Utilización



ON / OFF



Color de la luz



Ajuste de la temperatura



Ajuste del cuentaminutos



Tiempo / Temperatura +



Tiempo / Temperatura -

Conecte la unidad de alimentación a la toma de la pared, el indicador LED parpadeará en la pantalla. Ya puede encender los emisores infrarrojos, la iluminación y la música.

## Comenzar

Pulse para encender la pantalla y los emisores infrarrojos. La duración de la sesión se ajustará automáticamente a 99 minutos y se mostrará la temperatura en el interior de la cabina. Pulse de nuevo para apagar los emisores.

## Configuración de la temperatura

La parte izquierda de la pantalla indica la temperatura del aire. Pulse y podrá ajustar la temperatura deseada entre 35°C y 60°C pulsando o . 1 pulsación = 1°C.

La temperatura ajustada parpadeará 10 segundos y después la pantalla mostrará automáticamente la temperatura del aire.

Cuando se alcance la temperatura programada, los emisores dejarán de funcionar.

Cuando la temperatura esté 2°C por debajo de la programada los emisores se reiniciarán automáticamente.

### Observaciones:

La temperatura máxima del aire en la cabina podrá ser inferior a la temperatura deseada. Esto dependerá de la temperatura exterior de la cabina. Temperatura por defecto = 40 °C.

## Configuración del cuentaminutos

La parte derecha de la pantalla indica la duración. Pulse y podrá ajustar la duración de la sesión entre 5 y 99 minutos pulsando o . 1 pulsación = 1 minuto.

El tiempo programado parpadeará 10 segundos y la pantalla presentará automáticamente la temperatura del aire.

Cuando transcurra el tiempo programado, los emisores dejarán de funcionar.

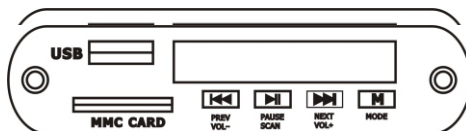
Tiempo por defecto = 99 minutos.

## Color de la luz

Pulse y podrá seleccionar el color deseado (7 colores en total) y apagar la iluminación.

Pulse prolongadamente para pasar al ciclo automático. El color cambiará cada 5 segundos.

## Lector MP3



Pulse prolongadamente para encender o apagar el lector MP3. Podrá seleccionar el modo de empleo pulsando el botón : USB o TARJETA MMC (si existe) --- Bluetooth --- radio FM -- LINE (inutilizado).

*Modo USB/SD o Bluetooth:* Podrá seleccionar las piezas pulsando o y ajustar el volumen (0 - 32) pulsando prolongadamente o . El botón pausará la reproducción.

*Modo radio FM:* Pulse prolongadamente para la búsqueda automática de las emisoras (87.5 MHz - 108 MHz). El sistema las guardará automáticamente. Podrá seleccionar la emisora pulsando o y ajustar el volumen (0 - 32) pulsando prolongadamente o .

## Tecnología por infrarrojos

Hay un botón en cada emisor que permite seleccionar la tecnología empleada:

Pulse sobre los 2 guiones para que el emisor utilice la tecnología del cuarzo.

Pulse sobre el círculo (centro) para apagar el emisor.

Pulse sobre el guión solo para que el emisor utilice la tecnología del magnesio.

# Utilización

## Guía de uso

1. Regule la temperatura de la sauna entre 35 y 40 °C.
2. La sauna tarda entre 5 y 10 minutos en precalentarse. Le aconsejamos que ajuste el tiempo de precalentamiento de acuerdo con la duración de la sesión. Ejemplo: Si desea disfrutar de una sesión de 30 minutos, programe 40 minutos y entre en la cabina una vez que la sauna esté caliente.
3. Aproveche el tiempo de precalentamiento para darse una ducha o un baño caliente antes de entrar en la sauna.
4. Cuando se haya alcanzado la temperatura deseada, los paneles calefactores adoptarán el modo de espera a fin de mantener una temperatura constante.
5. Beba agua antes, durante y después de la sesión. De ese modo, podrá contrarrestar la pérdida de agua a través del sudor.
6. Para absorber la transpiración y mantener la sauna seca, se aconseja colocar una toalla en el banco y otra en el suelo de la cabina. Tenga una tercera toalla a mano para eliminar el exceso de transpiración.
7. Comenzará a sudar entre 6 y 15 minutos a partir del comienzo de la sesión. Se aconseja no exceder los 30 minutos de sesión.
8. Puede abrir la puerta en cualquier momento para introducir aire fresco durante la sesión. Las propiedades únicas de la tecnología por infrarrojos permiten calentar directamente el organismo sin alterar el ambiente. Por lo tanto, puede disfrutar de una sesión con la puerta entreabierta sin que por ello se vean reducidos sus efectos.
9. Después de la sesión, puede permanecer en la sauna con la puerta abierta durante unos instantes para dejar transpirar el cuerpo y, a continuación, darse una ducha con agua tibia para eliminar las toxinas.

## Consejos

- Para embellecer su cabello, puede cubrirlo con aceite (de jojoba, por ejemplo) o con un producto de cuidado capilar y cubrirlo con una toalla. Una vez terminada la sesión, lávelo con champú extrasuave.
- Para aliviar tensiones musculares, puede masajear las zonas afectadas durante la sesión.
- Utilice el baño de calor para estirar los músculos con suavidad.
- Cuando llegue la época de frío, aumente la frecuencia de las sesiones para estimular el sistema inmunológico.

# Mantenimiento & cuidados

## Mantenimiento

### ATENCIÓN:

Antes de realizar cualquier operación, desenchufe el cable de alimentación de la cabina.

Problemas identificados	Posibles motivos	Soluciones
No se enciende ninguna luz en el panel de control.	El cable de alimentación está desconectado.	Compruebe que el cable de alimentación está conectado.
	Se ha cortado el suministro eléctrico general.	Compruebe el funcionamiento adecuado del cuadro eléctrico y de la toma de pared.
	Fallo en la fuente de alimentación.	Contacte con su proveedor
Uno o varios paneles de infrarrojos no emiten calor.	El botón del emisor está posicionado en el centro (⊙).	Coloque el botón a la derecha o la izquierda según su deseo.
	El cable del panel de infrarrojos está desconectado.	Compruebe que los cables están conectados.
	Uno de los paneles de infrarrojos está defectuoso.	Sustituya el panel de infrarrojos por un recambio original provisto por el fabricante.
La sauna emite un olor extraño.	La temperatura de los paneles o de sus cables es excesiva.	Desconecte la alimentación y contacte con su distribuidor.
La luminaria de la sauna no funciona.	El cable de alimentación de la cinta LED no está bien conectado.	Conecte el cable alimentación.
	La cinta LED es defectuosa.	Contacte con su distribuidor.
Uno de los altavoces ya no funciona.	El cable del altavoz está desconectado.	Vuelva a conectar el cable.
	El altavoz está defectuoso.	Contacte con su proveedor.
El reproductor de MP3 ya no funciona.	El cable de alimentación está desconectado.	Vuelva a conectar el cable de alimentación.
	El reproductor de MP3 no recibe corriente.	Compruebe el cable de alimentación DC y cámbielo en caso necesario.
La pantalla indica una temperatura errónea.	La sonda de temperatura no está conectada correctamente o falla.	Conecte el cable o cambie la sonda.

## Cuidados

1. Desconecte la sauna.
2. Utilice un aspirador para eliminar todo el polvo de las hendiduras de la madera.
3. Limpie la cabina con un trapo de algodón húmedo. En caso necesario, utilice una pizca de jabón. Aclárela con un trapo húmedo.
4. Limpie el cristal con limpiacristales y una bayeta suave.
5. Compruebe y apriete los tornillos del banco cada tres meses para evitar que el asiento se venza o se caiga.

### ATENCIÓN:

No utilice benceno, alcohol, productos químicos ni productos de limpieza agresivos en la sauna, ya que estos pueden dañar la madera y la capa de protección que la recubre. No pulverice agua sobre la sauna.

# Garantía

El conjunto de los elementos que componen la Holl's dispone de una garantía de 2 años.

La fecha de entrada en vigor de la garantía se corresponde con la fecha de envío (es decir, la fecha de emisión de la factura).

La garantía no cubre los siguientes casos:

- Fallos en el funcionamiento o daños provocados por la instalación, el uso o la reparación no conforme con las instrucciones de seguridad.
- Fallos en el funcionamiento o daños provocados por un uso indebido del aparato.
- Daños provocados por negligencia, por un accidente o por un caso de fuerza mayor (una tormenta o mal tiempo).
- Fallos en el funcionamiento o daños provocados por el uso de accesorios no autorizados.

La garantía no cubre los gastos de envío incurridos por el transporte de la cabina o uno de sus componentes a nuestro taller de reparación. De acuerdo con la garantía, en caso de avería, se cambiarán las piezas que nuestros técnicos hayan considerado defectuosas. Uno de nuestros técnicos proporcionará la información y las instrucciones necesarias para su instalación. Holl's no se hace responsable de los gastos incurridos por la contratación de mano de obra externa.



## PRECAUCIÓN

No le devuelva el producto a la tienda

Póngase en contacto con su centro de servicio posventa local sobre [www.holls.fr](http://www.holls.fr) o **POOLSTAR FRANCE**  
**ZA les pielettes - 13740 LE ROVE - FRANCE**

# Avvertenze

***Leggere attentamente questo manuale prima di utilizzare la sauna per la prima volta.***

***Si raccomanda di conservare con cura il presente manuale per eventuali consultazioni future.***

- Installare la sauna su un pavimento perfettamente piatto.
- La sauna deve essere posizionata in una zona asciutta. Non utilizzarla in prossimità di una zona umida (vasca da bagno, pavimento umido, piscina).
- Non utilizzare prodotti detergenti liquidi. Scollegare la sauna prima di procedere alla pulizia e utilizzare un panno umido (vedere capitolo manutenzione).
- Proteggere il cavo elettrico della sauna per evitare che venga calpestato o schiacciato.
- Prima di procedere alla sostituzione di alcune parti, assicurarsi che siano quelle indicate dal fabbricante o che abbiano caratteristiche simili ai pezzi di ricambio originali. Una sostituzione non corretta può generare un incendio, un corto circuito o danneggiare la sauna. Si raccomanda vivamente di rivolgersi a un tecnico qualificato.
- Per evitare rischi di scottature o di scariche elettriche, non utilizzare strumenti metallici e non toccare i radiatori a raggi infrarossi.
- Non fare entrare animali all'interno della sauna.
- Non fare asciugare alcun tipo di indumento all'interno della sauna (rischio d'incendio).
- Non lasciare la sauna accesa priva di sorveglianza.
- Non lasciare la sauna accesa per più di 3 consecutive per evitare di deteriorare prematuramente i circuiti e gli impianti. Dopo 3 ore di utilizzo continuativo, si raccomanda di spegnere la sauna per almeno un'ora.
- Si raccomanda di non installare alcun sistema di chiusura sulla porta della sauna.
- Verificare la conformità del vostro impianto elettrico prima di procedere al collegamento elettrico della sauna.



# Sicurezza

## ATTENZIONE:

Si prega di leggere attentamente le istruzioni di sicurezza prima di installare ed utilizzare la vostra cabina sauna. Tali istruzioni sono fondamentali per la vostra sicurezza, si prega di rispettarle in maniera scrupolosa.

A si prega di fare attenzione ad ipertermia, insolazioni e colpi di calore che possono essere provocati o aggravati dal mancato rispetto delle istruzioni di sicurezza. I sintomi sono febbre, accelerazione del battito cardiaco, vertigini, svenimento, letargia, intorpidimento del corpo o di una parte del corpo.

Gli effetti: Mancata percezione del calore, mancata considerazione del rischio imminente, perdita di conoscenza.

La sauna non deve essere utilizzata da:

- Bambini inferiori ai 6 anni.
- Persone soggette a gravi reazioni quando esposte ai raggi del sole.
- Persone anziane o invalide.
- Persone con patologie come malattie cardiache, ipertensione / ipotensione, problema di circolazione sanguigna o diabete senza un preventivo controllo medico.
- Donne incinte. Una temperatura eccessiva può essere pericolosa per il feto.
- Persone che soffrono di disidratazione, ferite aperte, patologie oculari, scottature, colpi di sole.

I bambini tra 6 e 16 anni possono utilizzare la sauna a condizione che siano sotto il costante controllo di un adulto responsabile e che la temperatura non superi i 60°C (140°F).

In caso di problema di salute, di assunzione di farmaci, di ferite muscolari o ai legamenti, non utilizzare la sauna senza aver consultato ed aver ricevuto il consenso preventivo di un medico.

In caso di utilizzo di impianti chirurgici, non utilizzare la sauna senza aver consultato ed aver ricevuto il consenso preventivo di un medico.

Non utilizzare la sauna dopo uno sforzo intenso. Attendere 30 minuti affinché l'organismo possa raffreddarsi.

Non fare una seduta di sauna di oltre 40 minuti.

Non consumare alcol o droga prima o durante la seduta.

Non addormentarsi nella sauna quando questa è in funzione.

Per evitare rischi di surriscaldamento, collegare la vostra sauna ad una presa di corrente sufficientemente potente e non collegare altri apparecchi elettrici alla stessa presa a muro.

Per evitare ogni rischio di elettrocuzione o di deterioramento della sauna, non utilizzare la sauna:

- In caso di temporale.
- Se il cavo elettrico è danneggiato, dovrà essere sostituito da personale tecnico qualificato.
- Se il cavo elettrico è in surriscaldamento, dovrà essere controllato da personale tecnico qualificato.
- Nel caso in cui sia necessario sostituire una lampadina, attendere che la sauna sia spenta e che si sia raffreddata.

Si raccomanda di asciugarsi le mani prima di collegare o scollegare la corrente. Si raccomanda di non compiere alcuna operazione con le mani o i piedi bagnati.

Si raccomanda di non accendere e spegnere freneticamente la corrente o il sistema di riscaldamento, in quanto questo potrebbe causare danni al sistema elettrico.

Si raccomanda di non cercare di riparare la sauna da soli, senza l'autorizzazione del distributore o del fabbricante della sauna.

Ogni eventuale tentativo di riparazione non autorizzato annullerà la garanzia del fabbricante.

Per evitare ogni rischio di corto circuito:

- Nessun liquido deve entrare in contatto con i radiatori a raggi infrarossi.
- Nessun oggetto deve urtare i radiatori e rischiare di romperli.

Non utilizzare ogni qualsivoglia tipo di detergente all'interno della sauna.

Non accatastare o stoccare oggetti all'interno o sulla sauna.

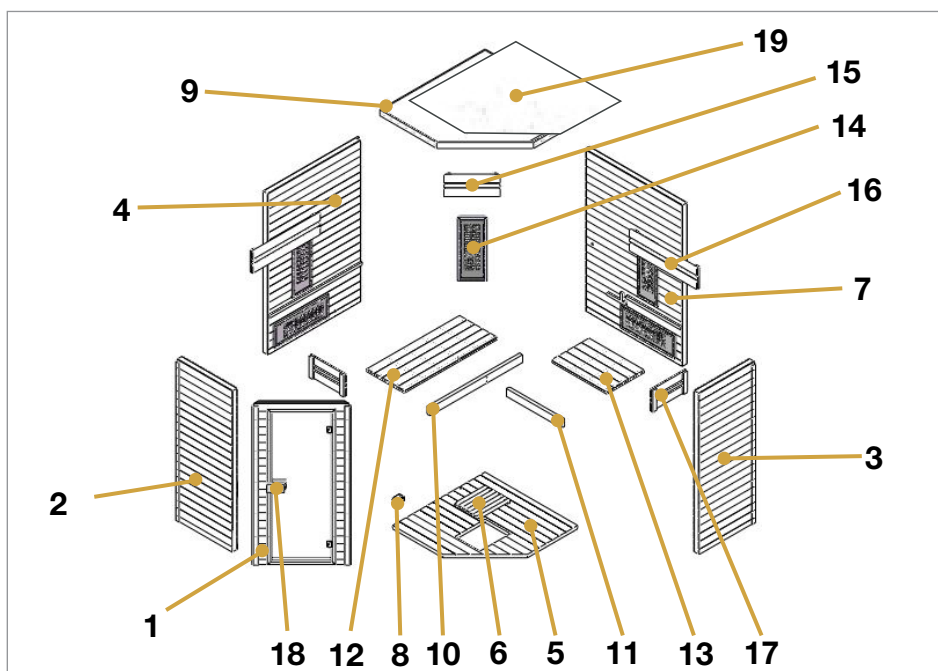
Non depositare materiale infiammabile o agenti chimici vicino alla sauna.




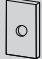
# Descrizione

## Caratteristiche tecniche

<b>Modello</b>	HL-MW03CE-K	HL-MW03C-K	
<b>Legno</b>	Abete rosso	Cedro rosso	
<b>Voltaggio</b>	230 V - 50 Hz		
<b>Radiatori</b>	<b>Tipo</b>	Emettitore a infrarossi magnesio / quarzo 600 L e emettitore carbonio	
	<b>Potenza</b>	2550 W - 11,1 A	
	<b>Pannello posteriore</b>	350 W x 3	
	<b>Sedile</b>	350 W x 2	
	<b>Pannello laterale</b>	350 W x 2	
	<b>Pavimento</b>	100 W x 1 (pannello in carbonio)	

## Liste des pièces



	Dimensioni	QTÀ
	Viti varie	2
	Ø 3 x 16	1
	Ø 4 x 30	24
	Ø 4 x 45	18
	Ø 4 x 50	6
	Ø 4 x 60	2
	Ø 6 x 60	2
	30 x 20 x 2	1

N°	Nome	QTÀ	N° scatola
1	Pannello anteriore (1860 x 900 x 50 mm)	1	2
2	Pannello laterale 1 (1860 x 762 x 72 mm)	1	2
3	Pannello laterale 2 (1860 x 762 x 72 mm)	1	2
4	Pannello posteriore 1 (1860 x 1262 x 67,5 mm)	1	1
5	Pavimento 1 (1232 x 1232 x 40 mm)	1	3
6	Pavimento 2 (403 x 334 x 40 mm)	1	3
7	Pannello posteriore 2 (1860 x 1302 x 67,5 mm)	1	1
8	Scatola di derivazione (90 x 68 x 38 mm)	1	3
9	Pannello superiore (1402 x 1402 x 65 mm)	1	3
10	Supporto del sedile (1234 x 90 x 40 mm)	1	3
11	Supporto del sedile (734 x 90 x 40 mm)	1	3
12	Sedile (1234 x 500 x 33 mm)	1	3
13	Sedile (734 x 500 x 33 mm)	1	3
14	Émettore angolare (746 x 289 x 20 mm)	1	4
15	Poggiatesta angolare (530 x 250 x 38 mm)	1	3
16	Poggiatesta posteriore (896 x 250 x 38 mm)	2	3
17	Poggiatesta laterale (460 x 250 x 38 mm)	2	3
18	Maniglia della porta (esterna: 180 x 95 x 45 mm e interna: 120 x 95 x 45 mm)	2	3
19	Copertura del tetto (1376 x 1376 x 3 mm)	1	3

# Installazione

Si raccomanda di leggere attentamente le istruzioni di montaggio prima di iniziare l'assemblaggio.

## Scelta dell'ubicazione

Le saune Holl's sono progettate per essere installate unicamente in spazi interni.

Scegliere uno spazio:

- All'interno, in luogo asciutto, su un pavimento piatto e stabile, in grado di sostenere il peso della sauna.
- L'altezza deve essere sufficiente per consentire di accedere al tetto e di realizzare i collegamenti elettrici ed eventuali interventi di manutenzione.
- Al riparo da ogni fonte d'acqua, di fiamma o di sostanze infiammabili.

## Consigli pratici

- Si prega di notare che il montaggio della sauna richiede da 2 a 3 persone adulte.
- Prima di procedere al montaggio, identificare chiaramente ogni pannello.
- Durante il montaggio, posizionare il cavo di alimentazione della vostra sauna in modo che sia facilmente accessibile.
- Si prega di notare che vi sono delle differenze tra i vari modelli.

### ATTENZIONE:

Verificare i fori e il loro diametro per evitare di danneggiare il legno.  
L'altezza minima richiesta per l'installazione è di 2020 mm.

## Attrezzi necessari



Cacciavite a croce



Metro



Sgabello



Matita

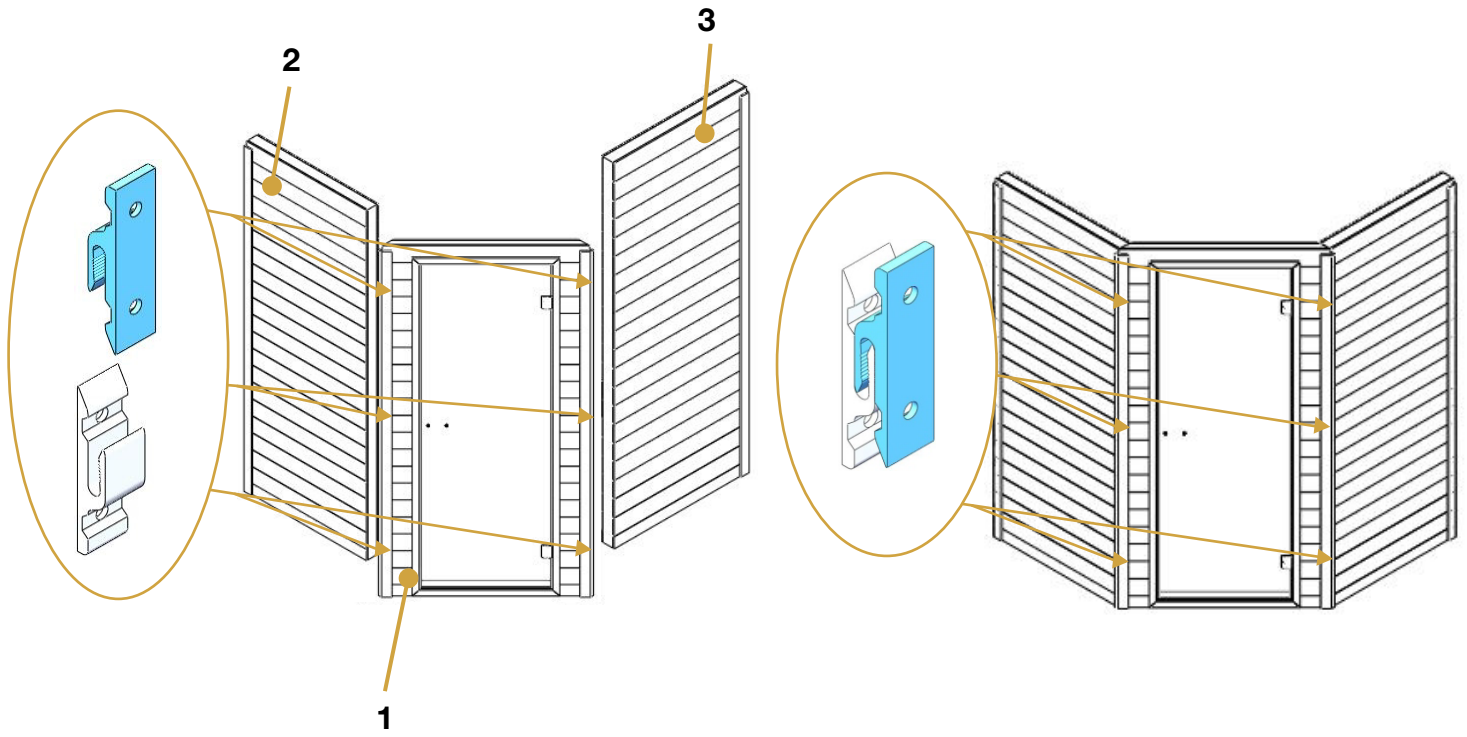


Taglierina

# Assemblaggio

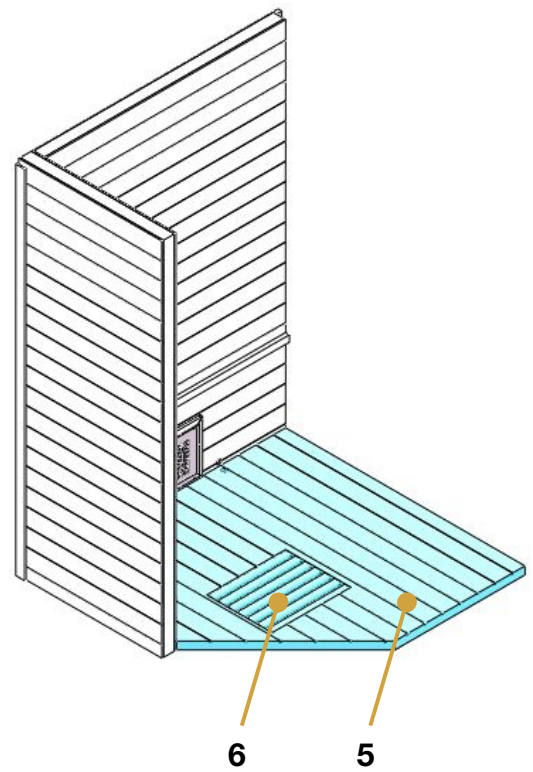
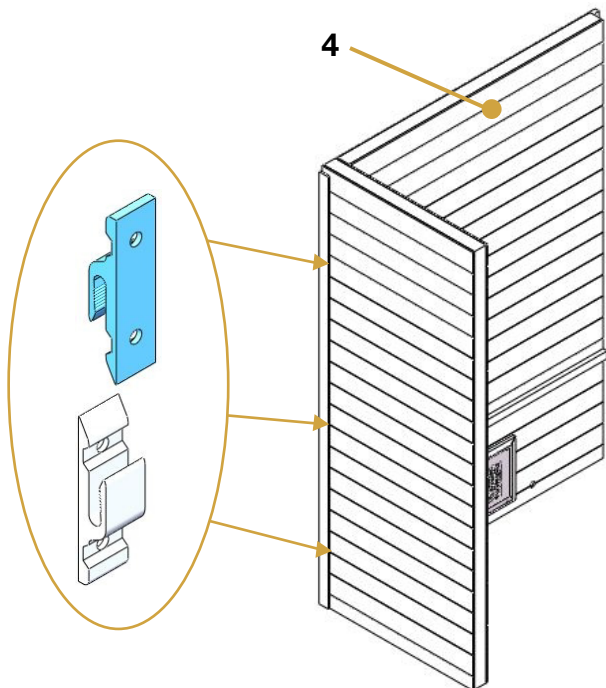
## Fasi di assemblaggio

Fase 1:



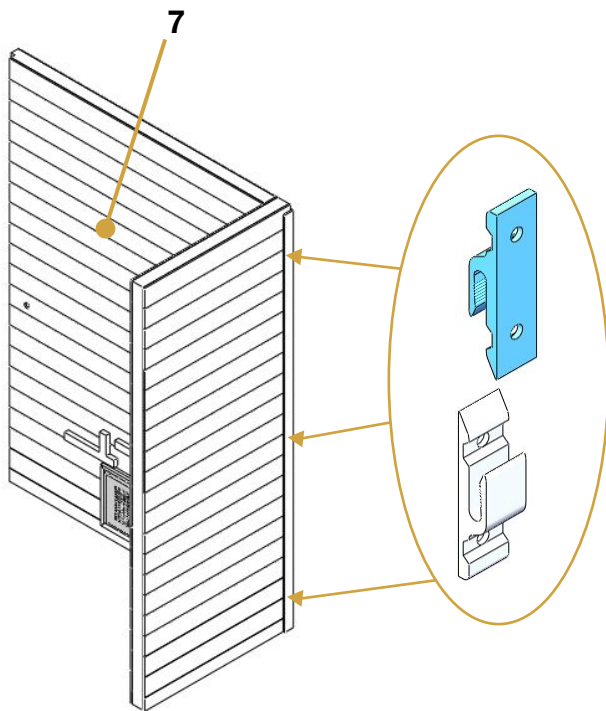
Fase 2:

Fase 3:

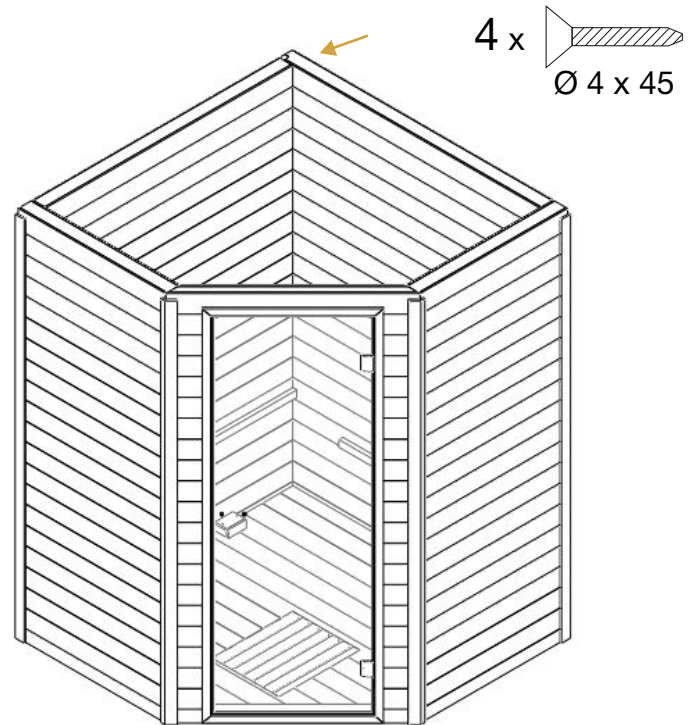


# Assemblaggio

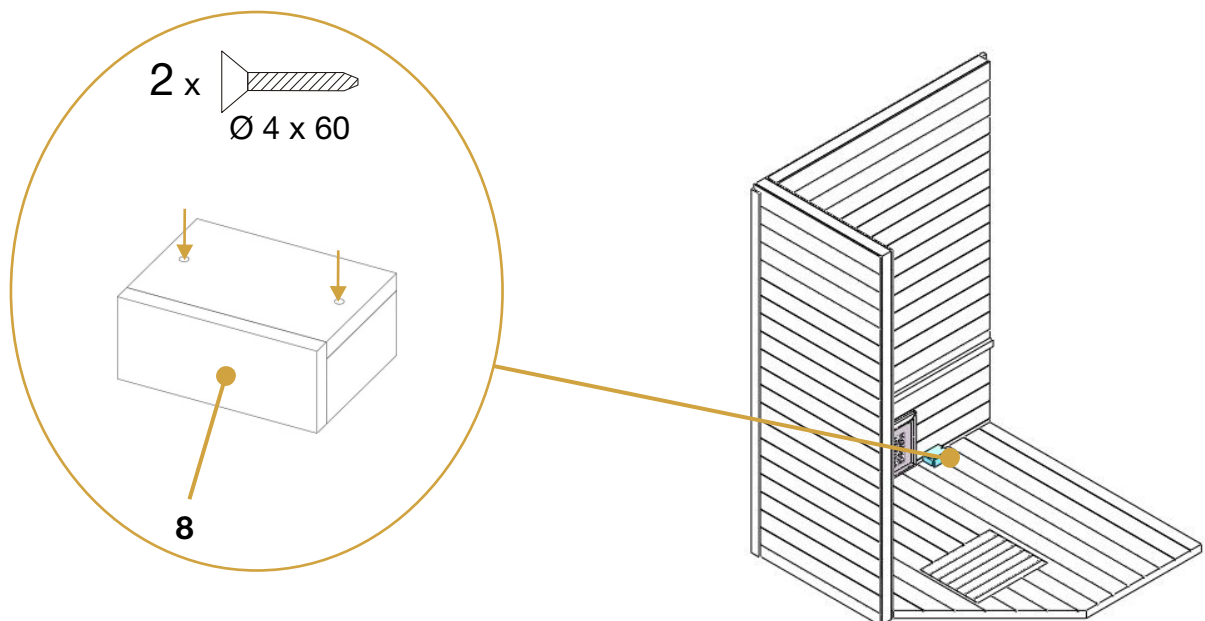
Fase 4:



Fase 5:



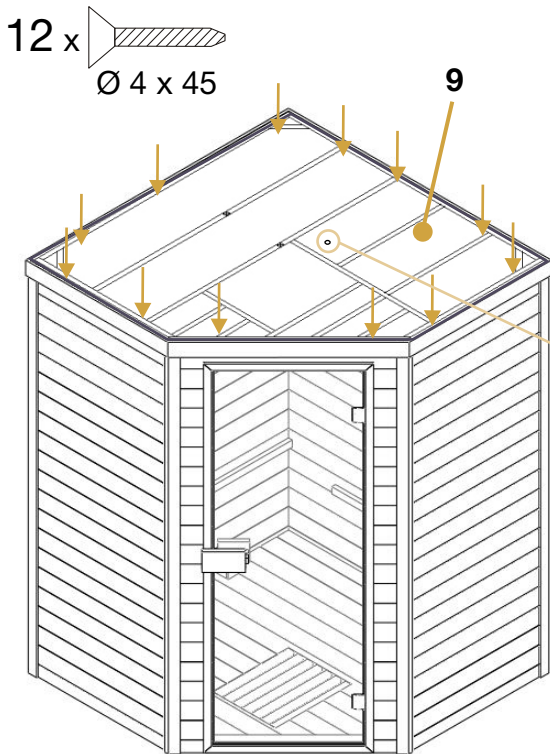
Fase 6:



**Nota:**  
Collegare il cavo dell'emettitore.

# Assemblaggio

Fase 7:



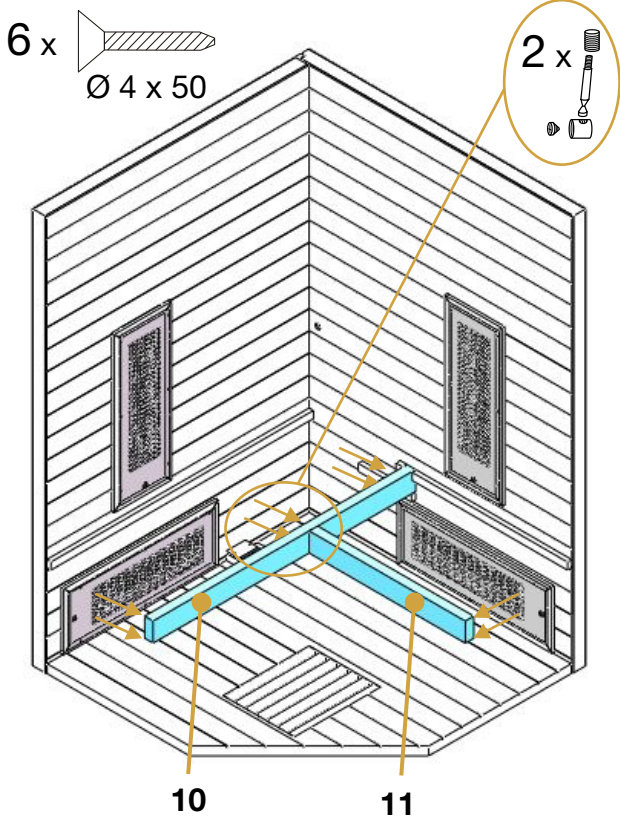
**Nota:**

Accertarsi che il sensore di temperatura si trovi a circa 2 cm dal tubo di silicone.

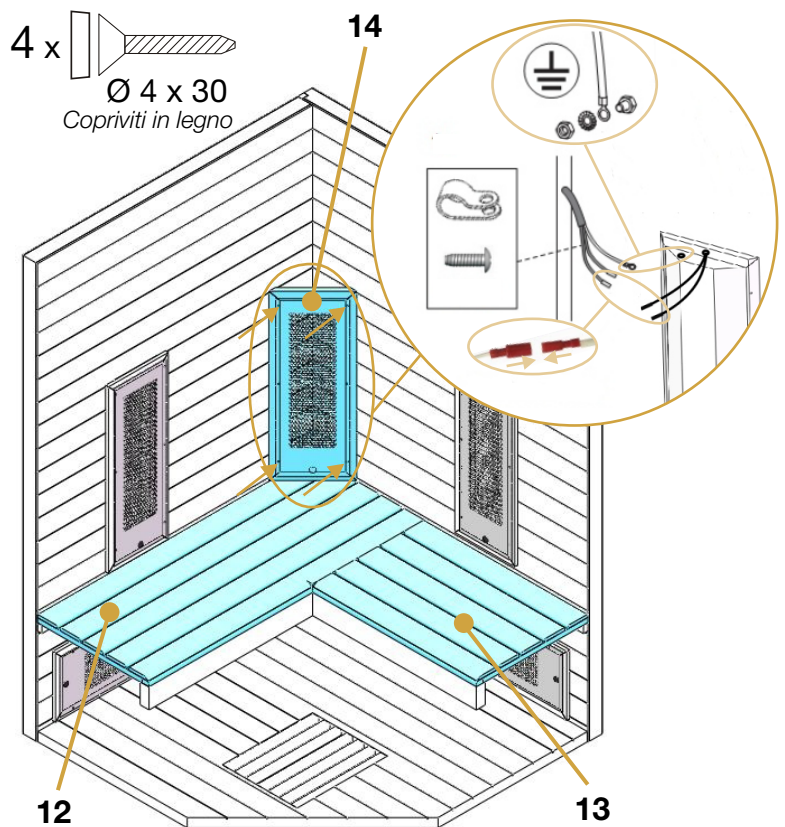
(Tubo > 3 cm + sensore > 2 cm = 5 cm dal soffitto).



Fase 8:

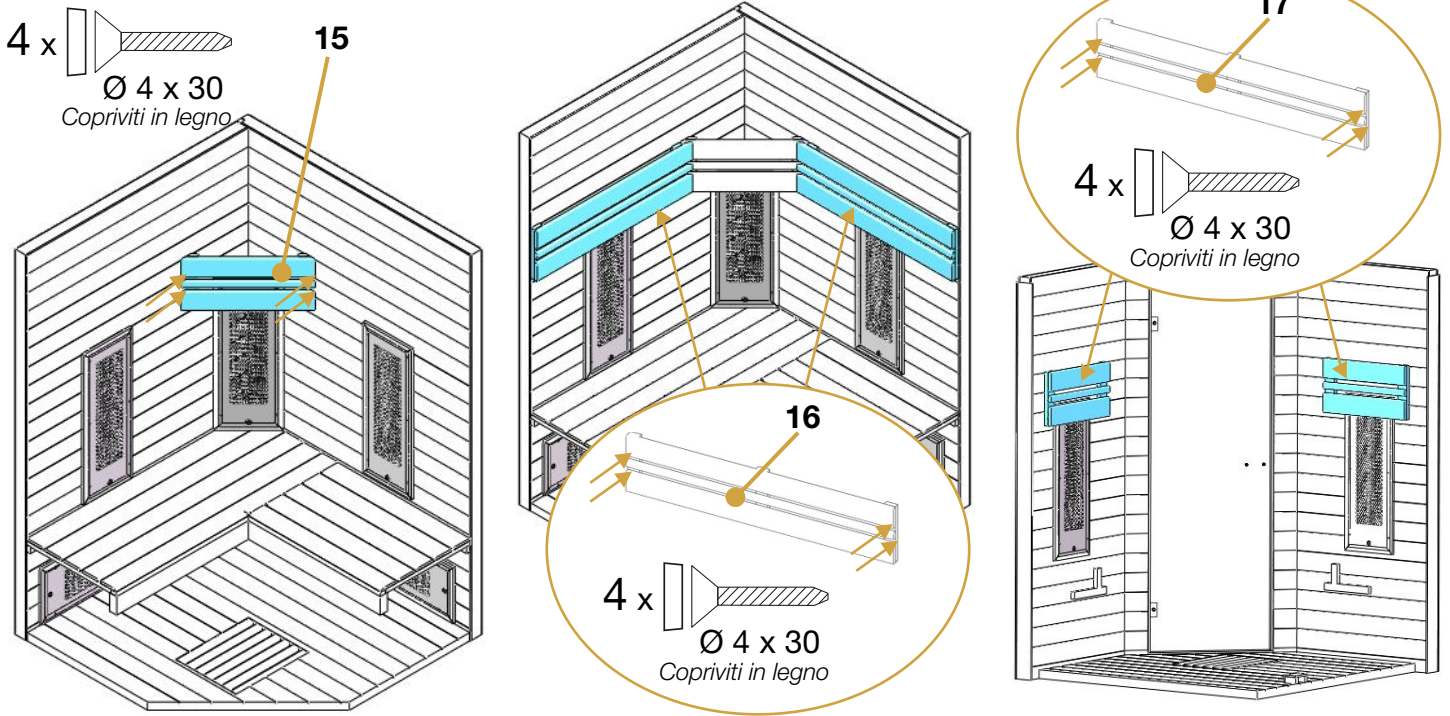


Fase 9:



# Assemblaggio

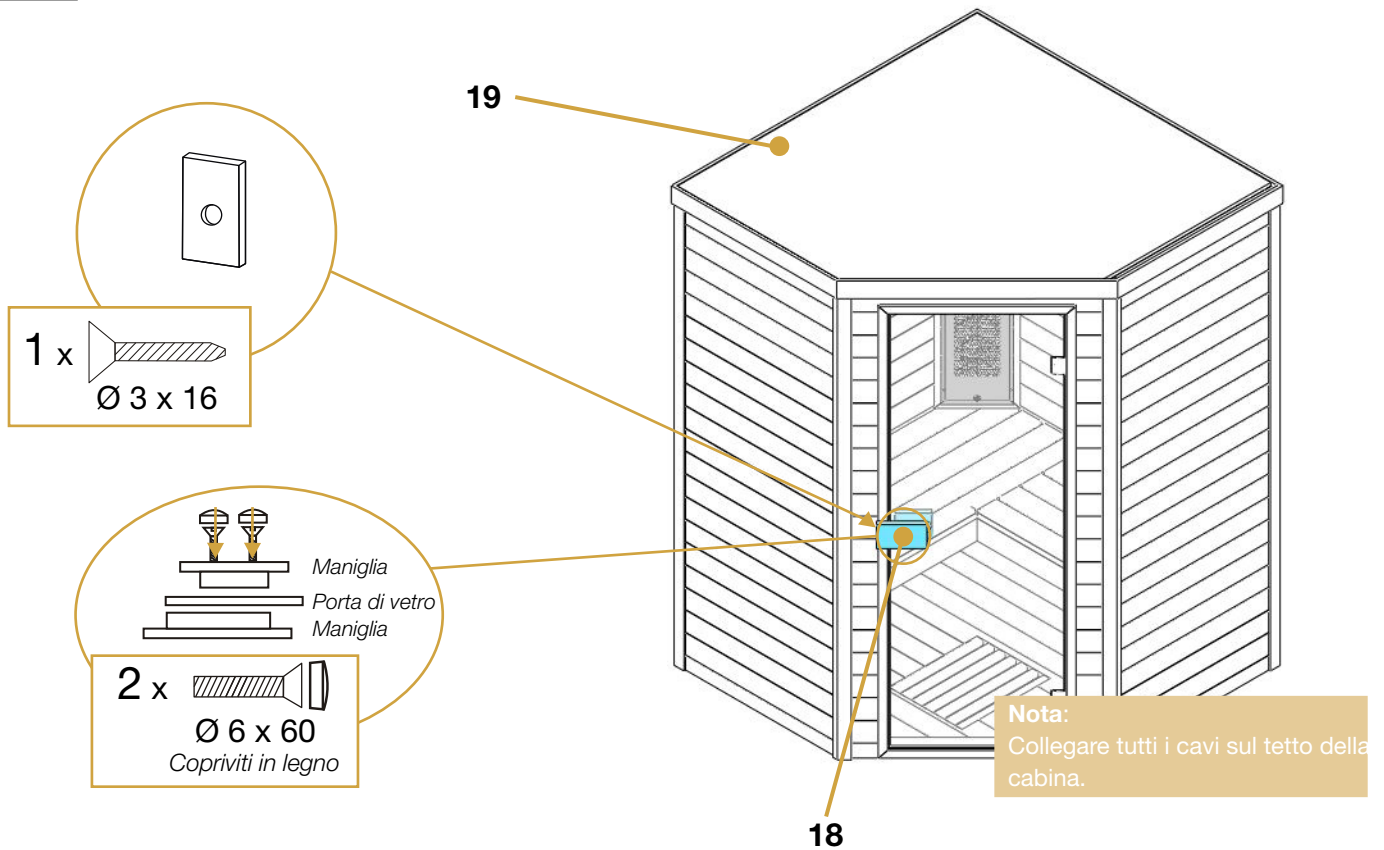
Fase 10:



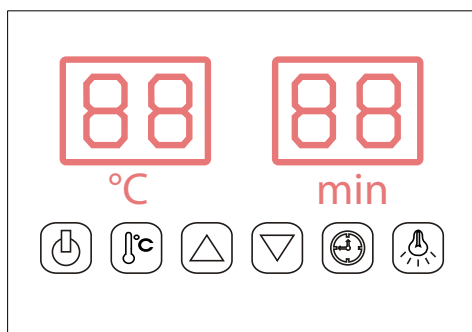
**Nota:**

La distanza tra i poggiatesta e il sedile deve essere di 693 mm

Fase 11:



# Uso



ON / OFF



Colore della luce



Regolazione della temperatura



Regolazione del timer





Tempo / Temperatura +






Tempo / Temperatura -

Collegare l'unità di alimentazione alla presa a muro, l'indicatore LED lampeggerà sul display. Ora è possibile accendere gli emettitori a infrarossi, la luce e la musica.

## Iniziare

Premere  per accendere il display e gli emettitori a infrarossi, la durata della seduta viene automaticamente impostata a 99 minuti e viene visualizzata la temperatura all'interno della cabina. Premere nuovamente  per spegnere gli emettitori.

## Impostazioni della temperatura.

La parte sinistra del display mostra la temperatura dell'aria. Premere , è possibile impostare la temperatura desiderata tra 35°C e 60°C premendo  o , 1 pressione = 1°C.

La temperatura impostata lampeggia per 10 secondi poi il display mostra automaticamente la temperatura dell'aria.



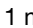
Quando la temperatura impostata viene raggiunta, gli emettitori smettono di funzionare.

Quando la temperatura è 2°C al di sotto della temperatura impostata, gli emettitori riprendono automaticamente a funzionare.

### Nota:

La temperatura massima dell'aria raggiungibile all'interno della cabina può essere inferiore alla temperatura desiderata. Ciò dipende dalla temperatura all'esterno della cabina. Temperatura preimpostata = 40 ° C.

## Impostazioni del timer

La parte destra del display mostra la durata. Premere , è possibile impostare la durata della seduta da 5 a 99 minuti premendo  o , 1 pressione = 1 minuto.


Il tempo impostato lampeggia per 10 secondi poi il display mostra automaticamente la temperatura dell'aria.

Trascorso il tempo impostato, gli emettitori smettono di funzionare.

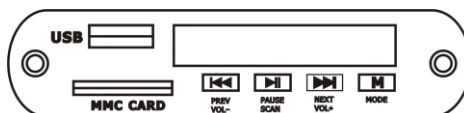
Tempo preimpostato = 99 minuti.



## Colore della luce





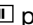
Premere , è possibile scegliere il colore desiderato (7 colori in totale) e spegnere la luce.


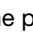



Premere a lungo  per passare al ciclo automatico, il colore cambierà ogni 5 secondi.

## Letture MP3




Premere a lungo  per accendere/spegnere il lettore MP3. La modalità d'uso può essere selezionata premendo il pulsante  : USB o MMC CARD (se presente) --- Bluetooth --- radio FM --- LINE (inutilizzato).


*Modalità USB/SD o Bluetooth:* È possibile selezionare i brani premendo  o  e regolare il volume (0 - 32) premendo a lungo  o . Il pulsante  permette di mettere in pausa il brano.


*Modalità radio FM:* Premere a lungo  per cercare automaticamente le stazioni (87.5 MHz - 108 MHz), il sistema le salverà automaticamente. È possibile selezionare una stazione premendo  o  e regolare il volume (0 - 32) premendo a lungo  o .

## Tecnologia a infrarossi

Il pulsante è presente su ogni emettitore e permette di scegliere la tecnologia utilizzata:

Spingere  dal lato delle 2 linee perché l'emettitore utilizzi la tecnologia a quarzo.

Spingere  dal lato del cerchio (al centro) per spegnere l'emettitore.

Spingere  dal lato con una sola linea perché l'emettitore utilizzi la tecnologia a magnesio.



## Guida all'uso

1. Regolare la temperatura della sauna tra 35 e 40° C.
2. La sauna si preriscalda in 5 - 10 minuti. Si raccomanda di aggiungere questo tempo di preriscaldamento al tempo della vostra seduta. Esempio: volete fare una seduta da 30 minuti, programmate 40 minuti ed entrate in cabina quando la sauna sarà calda.
3. Approfittate del tempo di riscaldamento per farvi una doccia o un bagno caldo prima della seduta.
4. Quando sarà raggiunta la temperatura prescelta, gli apparecchi di riscaldamento si metteranno in stand-by, in modo da mantenere sempre una temperatura costante.
5. Si raccomanda di bere dell'acqua prima, durante e dopo la seduta. Questo vi consentirà di equilibrare la perdita d'acqua per sudorazione.
6. Per assorbire la sudorazione e mantenere asciutta la vostra sauna, si consiglia di posizionare una salvietta sulla panca e sul pavimento della cabina. Tenere una terza salvietta a portata di mano per asciugare l'eccesso di sudorazione.
7. La sudorazione inizierà tra 6 e 15 minuti dopo l'inizio della seduta. Si raccomanda di non superare i 30 minuti di seduta.
8. Durante la seduta, sarà possibile aprire la porta in qualsiasi momento per fare entrare aria fresca. La grande qualità del riscaldamento a infrarossi consiste nel riscaldare direttamente l'organismo senza riscaldare l'aria ambiente. Questo vi permette di svolgere una seduta con la porta socchiusa senza minimizzare i suoi effetti.
9. Dopo la seduta, potete lasciare che il vostro corpo sudi ancora un po' rimanendo all'interno della sauna spenta, con la porta aperta, prima di prendere una doccia tiepida per liberarvi completamente dalle tossine.

## Consigli

- Per dei capelli sempre luminosi, potete cospargerli con olio (di jojoba per esempio) o con un altro prodotto di bellezza e avvolgerli all'interno di una salvietta. Una volta terminata la seduta, lavateli con uno shampoo extra delicato.
- Per lenire le tensioni muscolari, massaggiate le zone doloranti durante la seduta.
- Approfittate di questo bagno di calore per allungare dolcemente i vostri muscoli.
- Ai primi segni di freddo, aumentare la frequenza delle vostre sedute per attivare il vostro sistema immunitario.

# Manutenzione

## Manutenzione

### ATTENZIONE:

Prima di ogni intervento, scollegare il cavo d'alimentazione della cabina.

Problemi riscontrati	Possibili motivi	Soluzioni
Non si accende nessuna spia luminosa sul pannello di controllo.	Il cavo dell'alimentazione è scollegato.	Verificare il collegamento del cavo dell'alimentazione.
	L'alimentazione generale è staccata.	Verificare il corretto funzionamento del quadro elettrico e della presa a muro.
	Guasto della scatola d'alimentazione.	Contattare il vostro rivenditore.
Uno o più pannelli infrarossi non scaldano.	Il pulsante dell'emettitore è posizionato al centro (⊙).	Spostare il pulsante a destra o a sinistra, come si desidera.
	Il cavo di collegamento del pannello infrarosso è scollegato.	Controllare il collegamento dei cavi.
	Uno dei pannelli infrarossi è difettoso.	Sostituire il pannello infrarosso con un pezzo originale fornito dal fabbricante.
Un odore fuoriesce dalla sauna.	La temperatura dei pannelli o dei loro cavi è troppo elevata.	Togliere l'alimentazione e contattare il vostro rivenditore.
L'illuminazione della sauna non funziona più.	Il cavo di alimentazione del nastro LED non è collegato correttamente.	Collegare il cavo di alimentazione.
	Il nastro LED è difettoso.	Contattare il rivenditore.
Una cassa non funziona.	Il cavo della cassa è scollegato.	Ricollegare il cavo.
	La cassa è difettosa.	Contattare il vostro rivenditore.
Il lettore MP3 non funziona.	Il cavo dell'alimentazione è scollegato.	Ricollegare il cavo dell'alimentazione.
	Il lettore MP3 non è alimentato.	Controllare il cavo dell'alimentazione DC e, se necessario, sostituirlo.
Lo schermo indica una temperatura errata.	La sonda di temperatura non è collegata correttamente o è difettosa.	Ricollegare il cavo o sostituire la sonda.

## Manutenzione

1. Scollegare la sauna.
2. Utilizzare un aspiratore per rimuovere tutti i residui di polvere rimasti negli interstizi del legno.
3. Pulire la cabina con una salvietta umida di cotone, se necessario utilizzare una piccola quantità di sapone. Risciacquare utilizzando una salvietta umida.
4. Pulire il vetro con un detergente per vetri e un panno morbido.
5. Controllare e stringere le viti della panca ogni 3 mesi per evitare il gioco o la caduta del sedile.

### ATTENZIONE:

Non utilizzare benzene, alcool, prodotti chimici o detersivi aggressivi sulla sauna, in quanto i prodotti chimici possono danneggiare il legno e lo strato di protezione che si trova sul legno. Non vaporizzare acqua sulla sauna.

# Garanzia

Tutti gli elementi che compongono le saune Holl's sono garantiti 2 anni.

La data di entrata in vigore della garanzia è la data di spedizione (corrispondente alla data di emissione della fattura).

La garanzia non si applica nei casi seguenti:

- Malfunzionamento o danno derivante da un'installazione, da un utilizzo o da una riparazione non conforme alle istruzioni di sicurezza.
- Malfunzionamento o danno derivante da condizioni non adatte all'uso inizialmente previsto dell'apparecchio.
- Danno derivante da una negligenza o da un caso di forza maggiore (temporale e intemperie).
- Malfunzionamento o danno derivante dall'uso di accessori non autorizzati.

La garanzia non si fa carico delle spese connesse ad un trasporto della cabina o di una parte dei suoi componenti presso i nostri stabilimenti in Francia. Nell'ambito della garanzia, in caso di guasto, i pezzi ritenuti difettosi dai nostri tecnici saranno sostituiti. Le informazioni e le spiegazioni necessarie alla loro installazione saranno fornite da uno dei nostri tecnici. Le spese legate all'uso di una manodopera di parti terze non saranno prese in carico da Holl's.



## IMPORTANTE

Non restituire il prodotto al negozio

Rivolgersi al centro di assistenza post-vendita su  
[www.holls.fr](http://www.holls.fr) o **POOLSTAR FRANCE**  
ZA les pielettes - 13740 LE ROVE - FRANCE

# Warnungen

***Lesen Sie vor der Erstbenutzung Ihrer Sauna aufmerksam diese Gebrauchsanweisung.***

***Wir raten Ihnen die Gebrauchsanweisung für spätere Nutzungsempfehlungen sicher aufzubewahren.***

- Die Sauna auf einem absolut flachen Boden installieren.
- Die Sauna muss im trockenen bleiben. Nicht neben einer Wasserstelle benutzen (Badewanne, feuchter Boden, Schwimmbecken).
- Keine flüssigen Reinigungsmittel verwenden. Ziehen Sie vor der Reinigung den Netzstecker aus der Steckdose und benutzen Sie ein feuchtes Tuch (siehe Kap. Instandhaltung).
- Schützen Sie das Netzkabel der Sauna vor Knickungen und davor, dass niemand darauf treten kann.
- Bevor Sie bestimmte Teile austauschen, überzeugen Sie sich davon, dass diese vom Hersteller konzipiert worden sind oder den Eigenschaften der ursprünglichen Teile gleich kommen. Ein falscher Austausch der Teile kann zu einem Brand, einem Kurzschluss oder zur Beschädigung der Sauna führen. Wir empfehlen dringend einen Fachmann herbei zu ziehen.
- Zur Vermeidung von Verbrennungen oder Stromschlägen benutzen Sie kein Werkzeug aus Metall und berühren Sie nicht die Infrarotstrahler.
- Nehmen Sie keine Tiere mit in die Sauna.
- Trocknen Sie keine Wäsche in der Sauna (Brandgefahr).
- Lassen Sie die Sauna nicht unbeaufsichtigt eingeschaltet.
- Lassen Sie die Sauna nicht länger als 3 Stunden an einem Stück in Betrieb, um eine vorzeitige Beschädigung der Geräte zu vermeiden. Nach einer 3-stündigen kontinuierlichen Nutzung, schalten Sie die Sauna mindestens eine Stunde lang aus.
- Wir empfehlen Ihnen kein Schließsystem an die Tür der Sauna anzubringen.
- Bevor Sie Ihre Sauna an das Stromversorgungsnetz anschließen, überprüfen Sie die Konformität Ihrer Hausinstallation.

# Sicherheit

## **ACHTUNG:**

Lesen Sie vor der Installation und Nutzung Ihrer Sauna-Kabine aufmerksam die Sicherheitsanweisungen. Diese sind wesentlicher Bestandteil zu Ihrer Sicherheit und müssen unbedingt eingehalten werden.

Vorsicht vor Hyperthermie, Bestrahlung und Hitzschlag, die durch die Nicht-Einhaltung der Sicherheitsanweisungen ausgelöst oder verschärft werden können. Die Anzeichen hierfür sind Fieber, erhöhter Puls, Schwindel, Ohnmacht, Abgeschlagenheit, Taubheitsgefühl des Körpers oder eines Teils des Körpers. Die Auswirkungen: Keine Wahrnehmung der Wärme mehr, Ignoranz der unmittelbaren Gefahr, Bewusstseinsverlust.

Die Sauna darf nicht benutzt werden von:

- Kindern unter 6 Jahren.
- Personen mit starken Reaktionen auf Sonnenbestrahlung.
- Ältere Personen oder Personen mit Behinderung.
- Personen mit medizinischer Vorgeschichte wie durch Herzkrankheiten, Bluthochdruck / Hypotonie, Blutkreislaufproblemen oder Diabetes ohne vorherige ärztliche Absprache.
- Frauen bei denen eine Schwangerschaft besteht. Eine übermäßige Temperatur kann für den Fötus gefährlich sein.
- Personen die unter Dehydratation, offenen Wunden, Erkrankungen der Augen, Verbrennungen, Sonnenbrand leiden.

Kinder zwischen 6 und 16 Jahren können die Sauna unter ständiger Aufsicht eines verantwortlichen Erwachsenen und unter der Bedingung, dass die Temperatur nicht 60°C (140°F) übersteigt, benutzen.

Bei gesundheitlichen Problemen, der Einnahme von Medikamenten, Muskel- oder Bandverletzungen, benutzen Sie die Sauna nicht ohne vorherige ärztliche Beratung und Einverständnis.

Im Fall von chirurgischen Implantaten, benutzen Sie die Sauna nicht ohne vorherige Beratung und Einverständnis durch den Chirurg.

Benutzen Sie die Sauna nicht nach intensiver Anstrengung. Warten Sie 30 Minuten bis sich Ihr Körper abgekühlt hat.

Keine Saunagänge von über 40 Minuten.

Konsumieren Sie keinen Alkohol oder Drogen vor oder während des Saunagangs.

Schlafen Sie nicht in der Sauna, wenn diese in Betrieb ist.

Um das Risiko der Überhitzung zu vermeiden, verbinden Sie den Stecker Ihrer Sauna mit einer entsprechend leistungsstarken Steckdose, ohne andere elektrische Geräte an dieselbe Wandsteckdose anzuschließen.

Um jeglichen Risiko des Stromschlags oder der Sauna-Beschädigung zu entgehen, benutzen Sie die Sauna nicht:

- bei Gewitter.
- Sollte das Netzkabel beschädigt sein, muss es durch einen Fachmann ausgetauscht werden.
- Sollte das Netzkabel überhitzen, muss es von einem Fachmann kontrolliert werden.
- Wenn Sie eine Glühbirne austauschen müssen, warten Sie bis die Sauna abgeschaltet und abgekühlt ist.

Bevor Sie den Netzstecker ein- oder aus-stecken, trocknen Sie sich die Hände. Handeln Sie niemals mit feuchten Händen oder Füßen.

Schalten Sie die Stromversorgung oder das Heizsystem nicht willkürlich ein und aus, da dies dem elektrischen System Schaden zufügen könnte.

Versuchen Sie nicht die Sauna ohne das Einverständnis des Händlers oder des Herstellers selbst zu reparieren. Ungenehmigte Reparatur-Versuche führen zum Erlöschen der Händlergarantie.

Um jeglichen Risiko des Kurzschlusses zu entgehen:

- Die Infrarotstrahler dürfen mit keiner Flüssigkeit in Berührung kommen.
- Kein harter Gegenstand darf an die Strahler anschlagen und diese dadurch zerbrechen.

Verwenden Sie nicht irgendeine Art von Reinigungsmittel im Inneren der Sauna.

Lagern oder Stapeln Sie keine Gegenstände im Inneren und auf der Sauna.

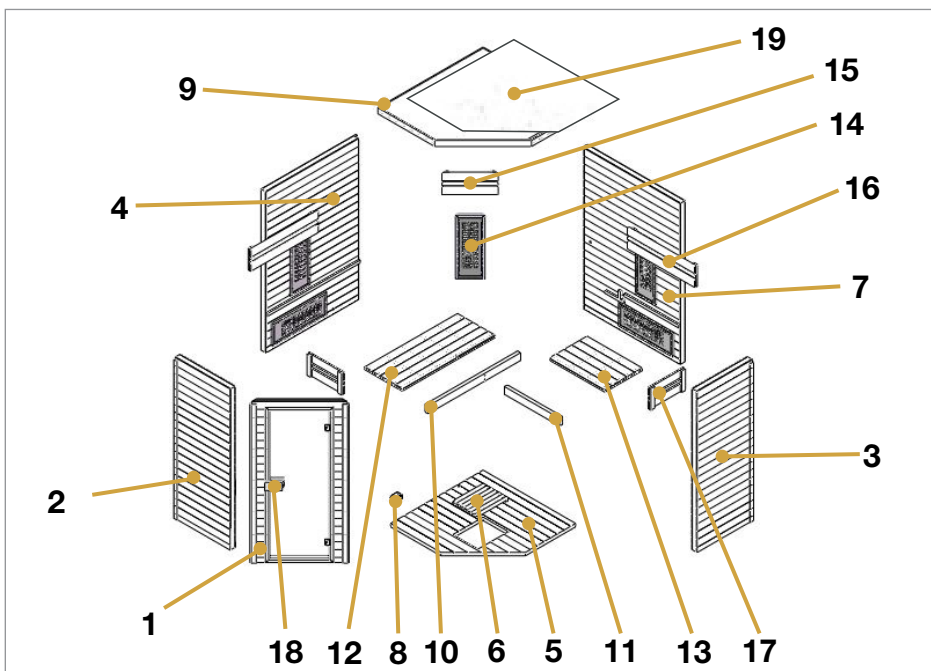
Bewahren Sie keine entzündbaren Materialien oder chemischen Mittel in der Nähe der Sauna auf.





# Beschreibung

## Technische Merkmale

<b>Modell</b>		HL-MW03CE-K	HL-MW03C-K
<b>Holz</b>		Fichte	Rote Zeder
<b>Voltzahl</b>		230 V - 50 Hz	
<b>Radiatoren</b>	<b>Typ</b>	Infrarotstrahler Magnesium / Quartz 600 L & Carbon Strahler	
	<b>Leistung</b>	2550 W - 11,1 A	
	<b>Rückwand</b>	350 W x 3	
	<b>Sitzfläche</b>	350 W x 2	
	<b>Seitenwand</b>	350 W x 2	
<b>Boden</b>		100 W x 1 (Carbon Panel)	

## Stückliste



	Größe	MENGE
	Verschiedene Schrauben	2
	Ø 3 x 16	1
	Ø 4 x 30	24
	Ø 4 x 45	18
	Ø 4 x 50	6
	Ø 4 x 60	2
	Ø 6 x 60	2
	30 x 20 x 2	1

Nr.	Name	MENGE	Schachtel Nr.
1	Vorderwand (1860 x 900 x 50 mm)	1	2
2	Seitenwand 1 (1860 x 762 x 72 mm)	1	2
3	Seitenwand 2 (1860 x 762 x 72 mm)	1	2
4	Rückwand 1 (1860 x 1262 x 67,5 mm)	1	1
5	Boden 1 (1232 x 1232 x 40 mm)	1	3
6	Boden 2 (403 x 334 x 40 mm)	1	3
7	Rückwand 2 (1860 x 1302 x 67,5 mm)	1	1
8	Abzweigdose (90 x 68 x 38 mm)	1	3
9	Obere Wand (1402 x 1402 x 65 mm)	1	3
10	Sitzfläche-Unterbau (1234 x 90 x 40 mm)	1	3
11	Sitzfläche-Unterbau (734 x 90 x 40 mm)	1	3
12	Sitzfläche (1234 x 500 x 33 mm)	1	3
13	Sitzfläche (734 x 500 x 33 mm)	1	3
14	Winkelstrahler (746 x 289 x 20 mm)	1	4
15	Winkel-Kopfstütze (530 x 250 x 38 mm)	1	3
16	Hintere-Kopfstütze (896 x 250 x 38 mm)	2	3
17	Seitliche-Kopfstütze (460 x 250 x 38 mm)	2	3
18	Türgriff (außen: 180 x 95 x 45 mm & innen: 120 x 95 x 45 mm)	2	3
19	Dachabdeckung (1376 x 1376 x 3 mm)	1	3

# Installation

Lesen Sie aufmerksam die Montageanleitung bevor Sie mit dem Zusammenbau beginnen.

## Wahl des Aufstellorts

Holl's Saunen sind ausschließlich für den Innen-Aufbau geeignet.

Wählen Sie die Stellfläche:

- Im Inneren, im Trocknen, auf einem flachen und stabilen Boden, der das Gewicht Ihrer Sauna tragen kann.
- Die Raumhöhe muss ausreichen, um den Zugang auf das Dach zur Durchführung der Elektroanschlüsse und der Instandhaltung zu gewährleisten.
- Entfernt von Wasserstellen, offenen Flammen und entzündbaren Substanzen.

## Praktische Ratschläge

- Achten Sie darauf, dass die Montage der Sauna zwei bis drei Erwachsene Personen erfordert.
- Ermitteln Sie deutlich jedes Wandteil bevor Sie beginnen.
- Während der Montage richten Sie die Sauna so aus, dass das Netzkabel gut erreichbar bleibt.
- Achten Sie darauf, dass es je nach Modell verschiedene Varianten gibt.

### ACHTUNG:

Kontrollieren Sie die Bohrungen und deren Durchmesser, um Holzbeschädigungen zu vermeiden.  
Die erforderliche Mindesthöhe für die Installation beträgt 2020 mm.

## Tools needed



Kreuzschlitz-  
schraubenzieher



Meter



Trittleiter



Bleistift

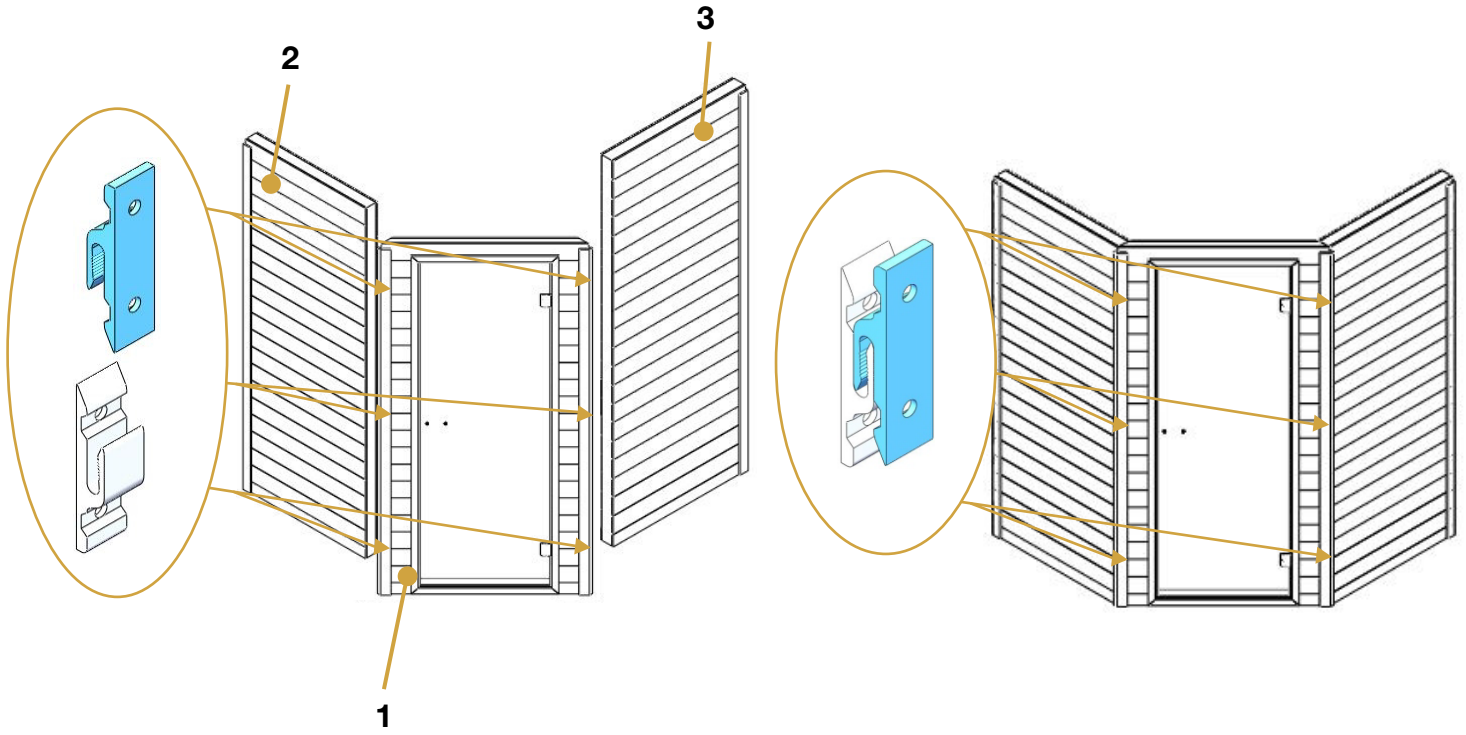


Tapetenmesser

# Montage

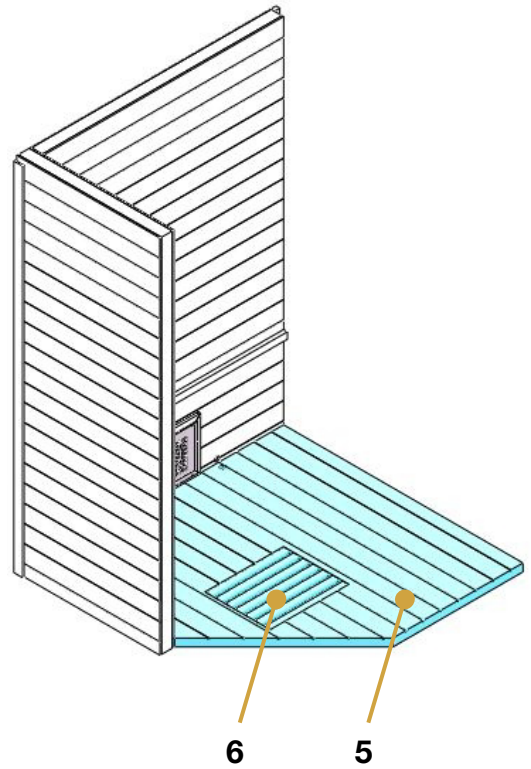
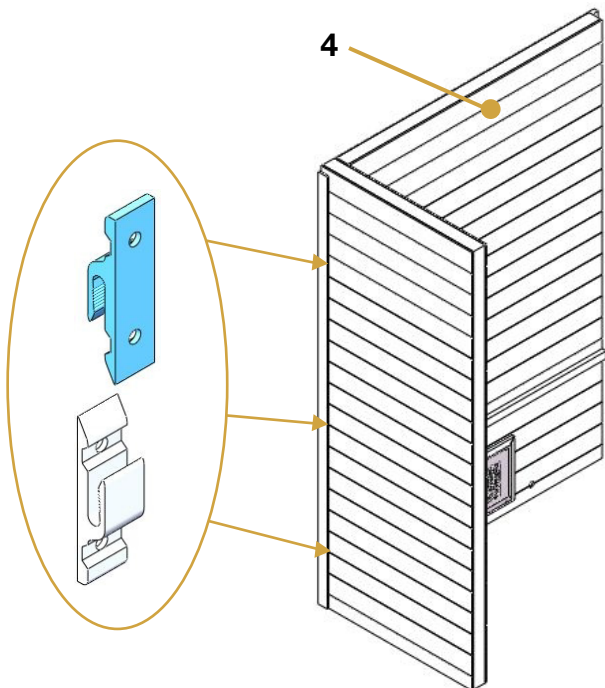
## Montageschritte

Schritt 1:



Schritt 2:

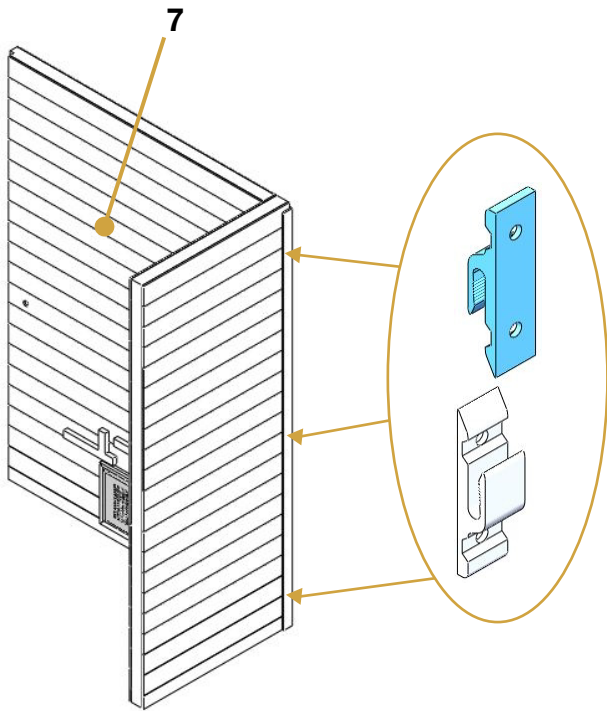
Schritt 3:



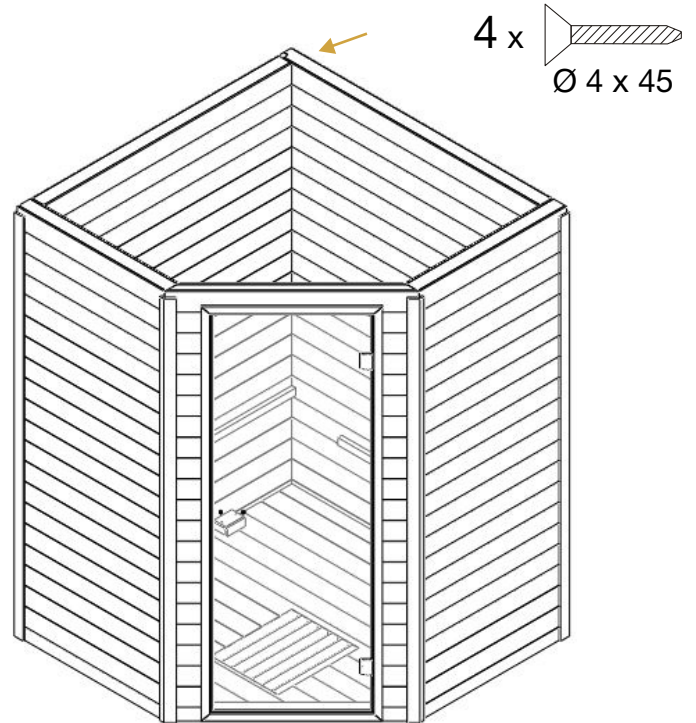


# Montage

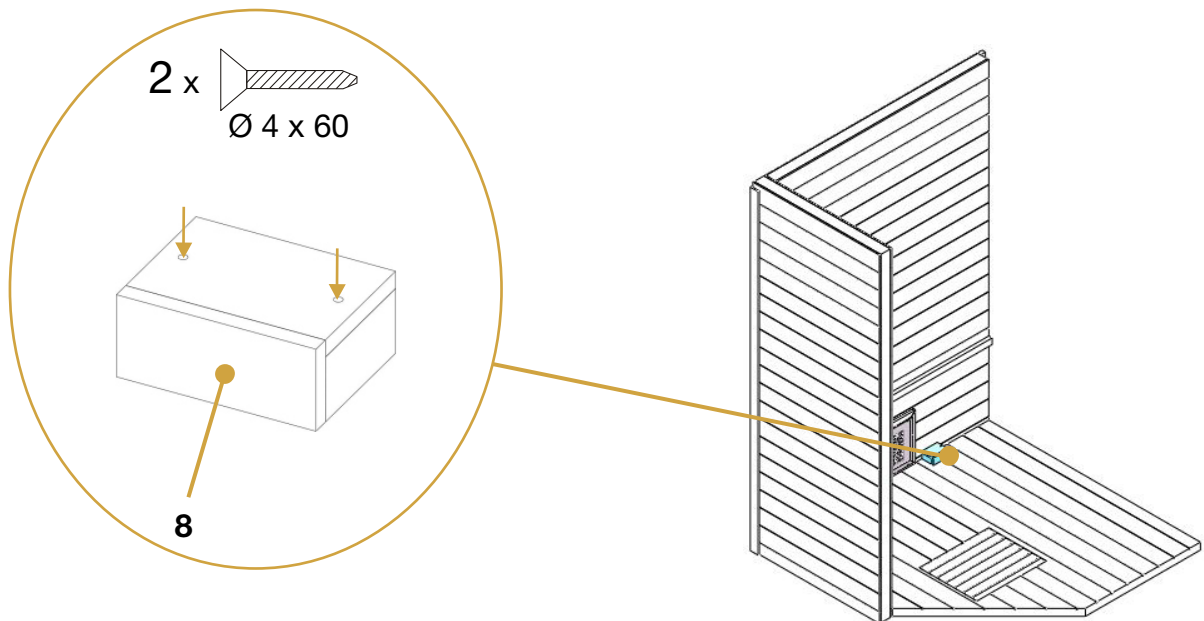
Schritt 4:



Schritt 5:



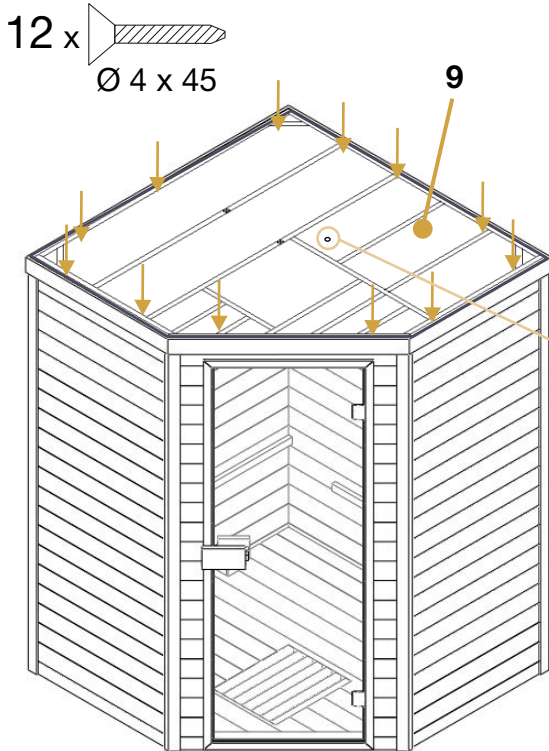
Schritt 6:



**Bemerkung:**  
Strahlerkabel anschließen.

# Montage

## Schritt 7:



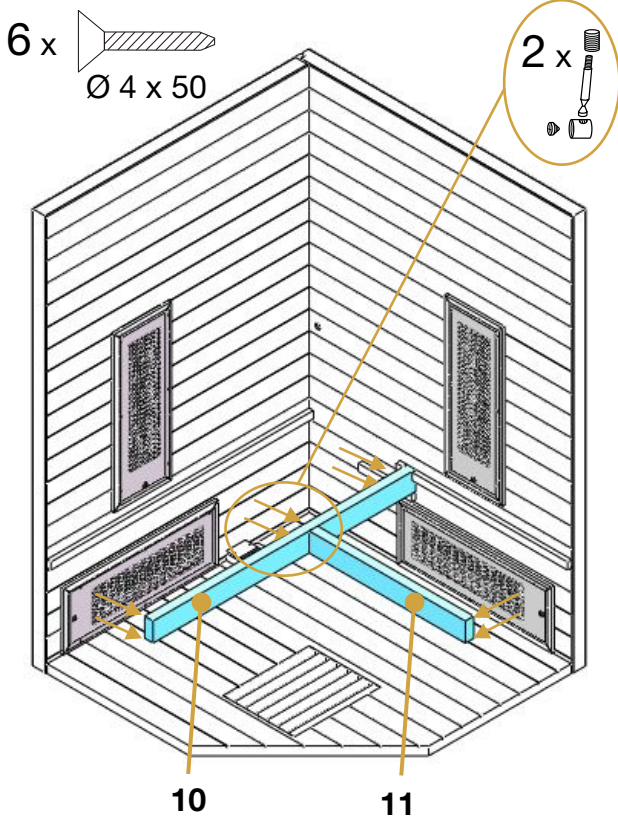
### Bemerkung:

Vergewissern Sie sich, dass die Temperatursonde ungefähr 2 cm vom Silikon-Schlauch entfernt bleibt.

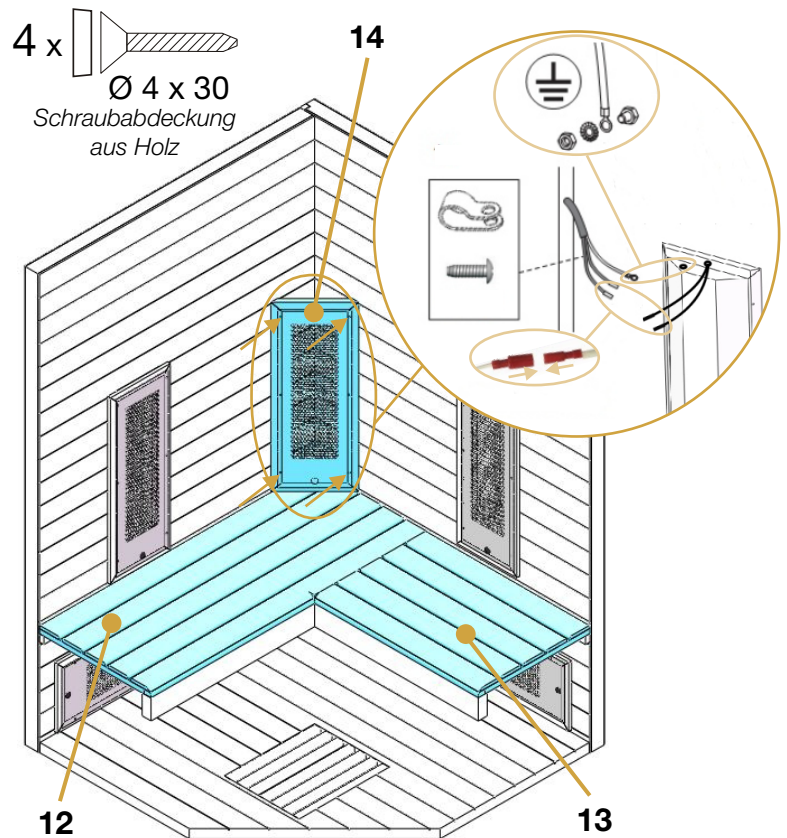
(Schlauch > 3 cm + Sonde > 2cm = 5cm von der Decke).



## Schritt 8:




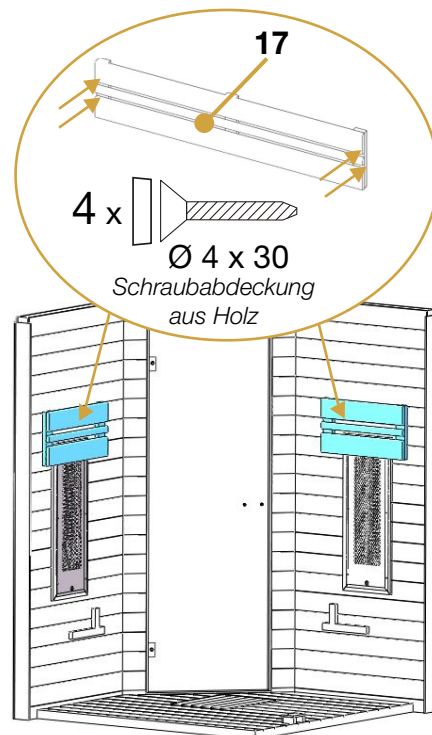
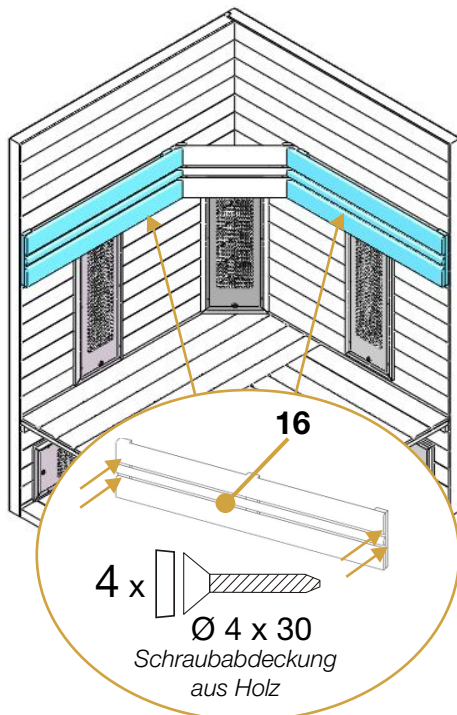
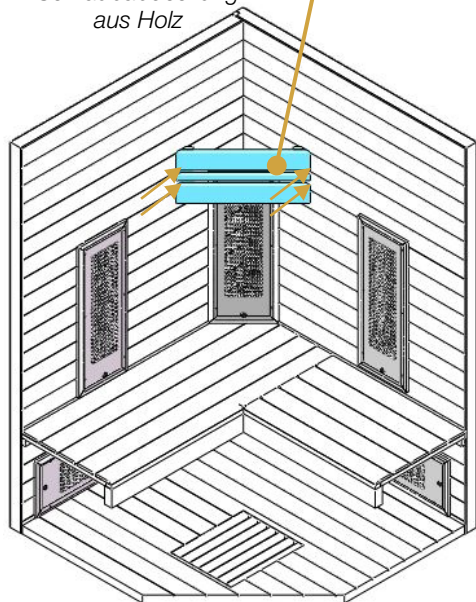
## Schritt 9:



# Montage

Schritt 10:


4 x  Ø 4 x 30  
Schraubabdeckung  
aus Holz




**Bemerkung:**

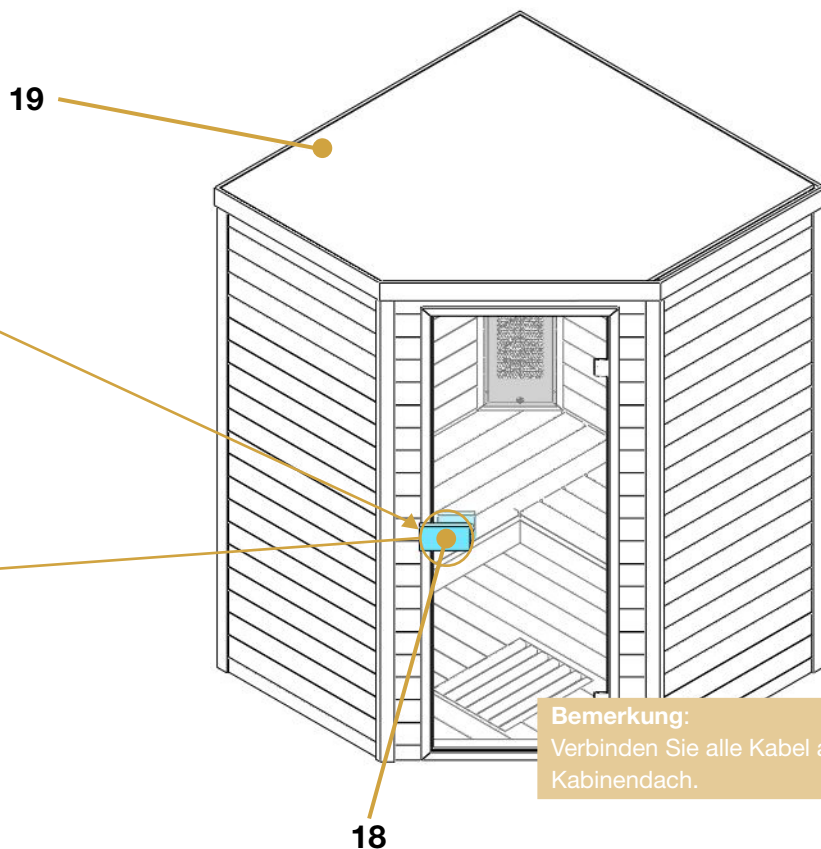
Der Abstand zwischen den Kopfstützen und den Sitzflächen muss 693 mm betragen.

Schritt 11:

1 x  Ø 3 x 16



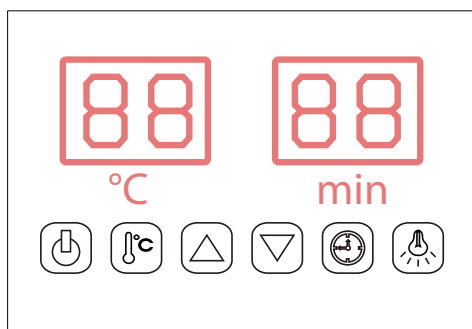
2 x  Ø 6 x 60  
Schraubabdeckung  
aus Holz



**Bemerkung:**

Verbinden Sie alle Kabel auf dem Kabinendach.

# Benutzung



ON / OFF



Farbe des Lichts



Einstellung der Temperatur



Regulierung der Zeitschaltuhr





Zeit / Temperatur +






Zeit / Temperatur -

Schließen sie die Versorgungseinheit an die Wandsteckdose an, die LED-Anzeige blinkt auf der Anzeigetafel. Jetzt können Sie die Infrarotstrahler, das Licht und die Musik anschalten.

## Beginnen

Drücken Sie auf , um die Anzeigetafel und die Infrarotstrahler einzuschalten, die Dauer des Saunagangs ist automatisch auf 99 Minuten eingestellt und die Innentemperatur der Kabine wird angezeigt. Drücken Sie erneut auf , um die Strahler auszuschalten.

## Temperatur-Einstellungen

Der linke Teil der Anzeigetafel bezieht sich auf die Lufttemperatur. Drücken Sie auf , Sie können die gewünschte Temperatur zwischen 35°C und 60°C einstellen, indem Sie auf  oder  drücken, 1 Knopfdruck = 1°C.

Die eingestellte Temperatur leuchtet 10 Sekunden lang auf, danach zeigt die Anzeigetafel automatisch die Lufttemperatur an.




Sobald die eingestellte Temperatur erreicht ist, schalten sich die Strahler von alleine ab.

Wenn die Temperatur 2°C unter der eingestellten Temperatur liegt, schalten sich die Strahler automatisch wieder ein.

### Bemerkung:

Die maximal erreichbare Lufttemperatur in der Kabine kann unter der gewünschten Temperatur liegen. Dies ist von der Außentemperatur der Kabine abhängig. Temperatur-Voreinstellung = 40 ° C.

## Zeitschaltuhr-Einstellungen

Der rechte Teil der Anzeigetafel bezieht sich auf die Dauer. Drücken Sie auf , Sie können die Dauer des Saunagangs von 5 bis 99 Minuten einstellen, indem Sie auf  oder  drücken, 1 Knopfdruck = 1 Minute.


Die eingestellte Zeit leuchtet 10 Sekunden lang auf, danach zeigt die Anzeigetafel automatisch die Lufttemperatur an.

Sobald die Zeit abgelaufen ist, schalten sich die Strahler von alleine ab.

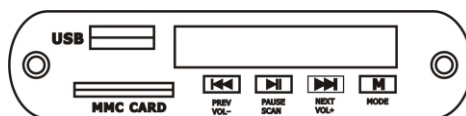
Voreingestellte Zeit = 99 Minuten.


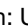
## Lichtfarbe






Drücken Sie auf , um die gewünschte Farbe auszuwählen (insgesamt 7 Farben) und das Licht auszuschalten.


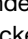
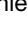

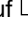
Drücken Sie länger auf , um auf den automatischen Zyklus überzugehen, die Farbe wechselt dann alle 5 Sekunden.

## MP3 Spieler




Drücken Sie länger auf , um den MP3 Spieler ein-/aus-zuschalten. Sie können die Benutzungsart auswählen, indem Sie auf den Knopf  drücken: USB oder MMC CARD (falls vorhanden) --- Bluetooth --- Radio FM --- LINE (unbenutzt).


*Modus USB/SD oder Bluetooth:* Sie können Titel auswählen, indem Sie auf  oder  drücken und die Lautstärke anpassen (0 - 32), wenn Sie länger auf  oder  drücken. Der Knopf  stellt den Titel auf Pause.


*Modus Radio FM:* Drücken Sie länger auf , um automatisch Radiosender zu suchen (87.5 MHz - 108 MHz); das System speichert diese automatisch. Sie können einen Radiosender auswählen, indem Sie auf  oder  drücken und die Lautstärke anpassen (0 - 32), wenn Sie länger auf  oder  drücken.

## Infrarot-Technologie

Der Knopf ist auf jedem Strahler vorhanden und ermöglicht es, die anzuwendende Technologie auszuwählen:

Drücken Sie  auf der Seite mit den 2 Strichen damit der Strahler beide Technologien Quartz.

Drücken Sie  seitlich vom Kreis (in der Mitte) um den Strahler auszuschalten.

Drücken Sie  auf der Seite mit einem Strich damit der Strahler mit Magnesium Technologie funktioniert.

# Benutzung

## Benutzerhandbuch

1. Stellen Sie die Temperatur ihrer Sauna zwischen 35°C und 40°C ein.
2. Die Sauna braucht eine Vorwärmzeit von 5 bis 10 Minuten. Wir empfehlen diese Vorwärmzeit zu der Zeit Ihres Saunagangs dazu zurechnen. Beispiel: Sie möchten ein 30 minütigen Saunagang, programmieren Sie 40 Minuten und gehen Sie in die Sauna sobald diese heiß ist.
3. Nutzen Sie die Zeit der Vorwärmphase um eine warme Dusche oder Bad zu nehmen bevor Sie ihren Saunagang beginnen.
4. Wenn die gewählte Temperatur erreicht wurde, stellen sich die Heizgeräte in den standby Modus um und halten die Temperatur konstant.
5. Trinken Sie Wasser bevor, während und nach dem Saunagang. Dieses wird Ihnen helfen das ausgeschwitzte Wasser auszugleichen.
6. Um den Schweiß aufzunehmen und Ihre Sauna trocken zu halten, wird Ihnen empfohlen ein Badetuch auf die Sitzfläche und auf den Boden der Sauna zu legen. Nehmen Sie ein drittes Badetuch mit um den Überfluss an Schweiß abzuwischen.
7. Das Schwitzen beginnt zwischen 6 und 15 Minuten nach Beginn des Saunagangs. Wir empfehlen Ihnen den Saunagang auf 30 Minuten zu begrenzen.
8. Sie können jeden Moment während Ihrem Saunagang, die Tür der Sauna öffnen um Frische Luft hereinzulassen Die alleinige Charakteristik der Infrartheizung ist den Körper direkt aufzuheizen ohne die umgebende Luft zu erwärmen. Dieses ermöglicht Ihnen während des Saunagangs, die Tür ein wenig offen stehen zu lassen ohne die Effektivität der Sauna zu stören.
9. Nach dem Saunagang, können Sie noch eine Weile in der ausgeschalteten Sauna mit offener Tür bleiben um Ihren Körper weiter schwitzen zu lassen, bevor Sie eine lauwarme Dusche nehmen um sich von den Toxine zu befreien.

## Ratschläge

- Um die Haare schön zu halten, können Sie diese mit Öl einschmieren (zum Beispiel mit Jojobaöl) oder mit einem Pflegemittel und sie dann mit einem Handtuch umwickeln. Am Ende des Saunagangs, waschen Sie sich die Haare mit einem sehr mildes Shampoo.
- Um die Muskelverspannungen zu lindern, massieren Sie sich die schmerzzeugenden Zonen während des Saunagangs.
- Nutzen Sie dieses Wärmebad um Ihre Muskeln vorsichtig zu strecken.
- Bei den ersten Zeichen der kalten Jahreszeit, erhöhen Sie die Frequenz Ihrer Saunagänge um Ihr Immunsystem zu stärken.

# Instandhaltung & Pflege

## Instandhaltung

### ACHTUNG:

Trennen Sie das Versorgungskabel vom Netz vor jedem Eingriff .

Festgestellte Probleme	Mögliche Ursachen	Lösungen
Alle Kontrolllampen des Bedienfelds sind aus.	Das Netzkabel ist nicht eingesteckt.	Prüfen Sie den Anschluss des Netzkabels.
	Die Hauptzuleitung ist getrennt.	Prüfen Sie die korrekte Funktion der Unterverteilung und der Wandsteckdose.
	Ausfall des Netzteils.	Kontaktieren Sie Ihren Verkäufer.
Ein oder mehrere Strahler Infrarot heizt nicht.	Der Schalter des Strahlers ist in mittlerer Position (⊖○⊕).	Kippen Sie den Schalter nach rechts oder nach links je nach Wahl.
	Das Anschlusskabel des Infrarot Strahlers ist getrennt.	Prüfen Sie die Anschlüsse der Kabel.
	Einer der Infrarot Strahler ist defekt.	Ersetzen Sie den Infrarot Strahler mit einem Originalteil des Herstellers.
Ein Geruch geht aus der Sauna.	Die Temperatur der Heiztafeln oder dessen Kabeln ist zu hoch.	Trennen Sie die Spannungsversorgung und kontaktieren Sie Ihren Verkäufer.
Die Beleuchtung der Sauna ist ausgefallen.	Das Versorgungskabel des LED-Bands ist nicht ordnungsgemäß angeschlossen.	Schließen Sie das Versorgungskabel an.
	Das LED-Band ist defekt.	Kontaktieren Sie Ihren Verkäufer.
Ein Lautsprecher funktioniert nicht.	Das Kabel des Lautsprechers ist nicht angeschlossen.	Schließen Sie das Kabel an.
	Der Lautsprecher ist defekt.	Kontaktieren Sie Ihren Verkäufer.
Der MP3 Spieler funktioniert nicht.	Das Versorgungskabel ist nicht angeschlossen.	Schließen Sie das Versorgungskabel wieder an.
	Der MP3 Spieler hat keine Spannung.	Prüfen Sie das Versorgungskabel und ersetzen Sie es gegebenenfalls.
Am Bildschirm wird eine falsche Temperatur angezeigt.	Die Temperatursonde ist nicht ordnungsgemäß angeschlossen oder defekt.	Schließen Sie das Kabel wieder an oder ersetzen Sie die Temperatursonde.

## Pflege

1. Schalten Sie die Sauna ab.
2. Nutzen Sie einen Staubsauger um alle Staubpartikel aus den Schlitzten des Holzes zu entfernen.
3. Reinigen Sie die Saunakabine mit einem feuchten Baumwolltuch, wenn erforderlich verwenden Sie eine kleine Menge Seife. Mit einem feuchten Tuch abspülen.
4. Reinigen Sie das Glas mit einem Glasreiniger und einem weichen Tuch.
5. Prüfen und ziehen Sie die Schrauben der Sitzbank alle 3 Monate nach um zu viel Spiel und ein Absturz der Sitzfläche zu vermeiden.

### ACHTUNG:

Benutzen Sie kein Benzol, Alkohol, Chemikalien oder starke Reiniger für die Sauna, da die Chemikalien das Holz der Sauna beschädigen können. Sprühen Sie kein Wasser auf die Sauna.

# Garantie

Die gesamten Bauteilelemente der Sauna haben eine Garantiezeit von 2 Jahren.  
Die Garantiezeit wird mit dem Versanddatum wirksam (dies entspricht dem Datum der Rechnungserstellung).

Die Garantie gilt nicht in den folgenden Fällen:

- Störungen oder Beschädigungen, die aus einer Installation, einer Benutzung oder Reparatur resultieren, welche den Sicherheitsbestimmungen nicht entsprechen.
- Störung oder Schaden, welcher auf die nicht bestimmungsgemäße Verwendung des Gerätes zurückzuführen ist.
- Schaden, welcher auf Vernachlässigung, Unfall oder einem Fall von höherer Gewalt zurückzuführen ist (Gewitter und Unwetter).
- Störung oder Schaden infolge einer Benutzung von nicht genehmigten Zubehörteilen.

Die Garantie übernimmt nicht die Kosten bezüglich einer Rücksendung der Kabine oder einen Teil ihrer Bestandteile in unsere Werkstätten. Bei Ausfall werden die von unseren Technikern als fehlerhaft erkannte Teile im Rahmen der Garantie ersetzt. Die zur Installation notwendigen Informationen und Erläuterungen werden von einem unserer Techniker bereitgestellt. Die Kosten zur Beschäftigung einer dritten Arbeitskraft können von Holl's nicht übernommen werden.



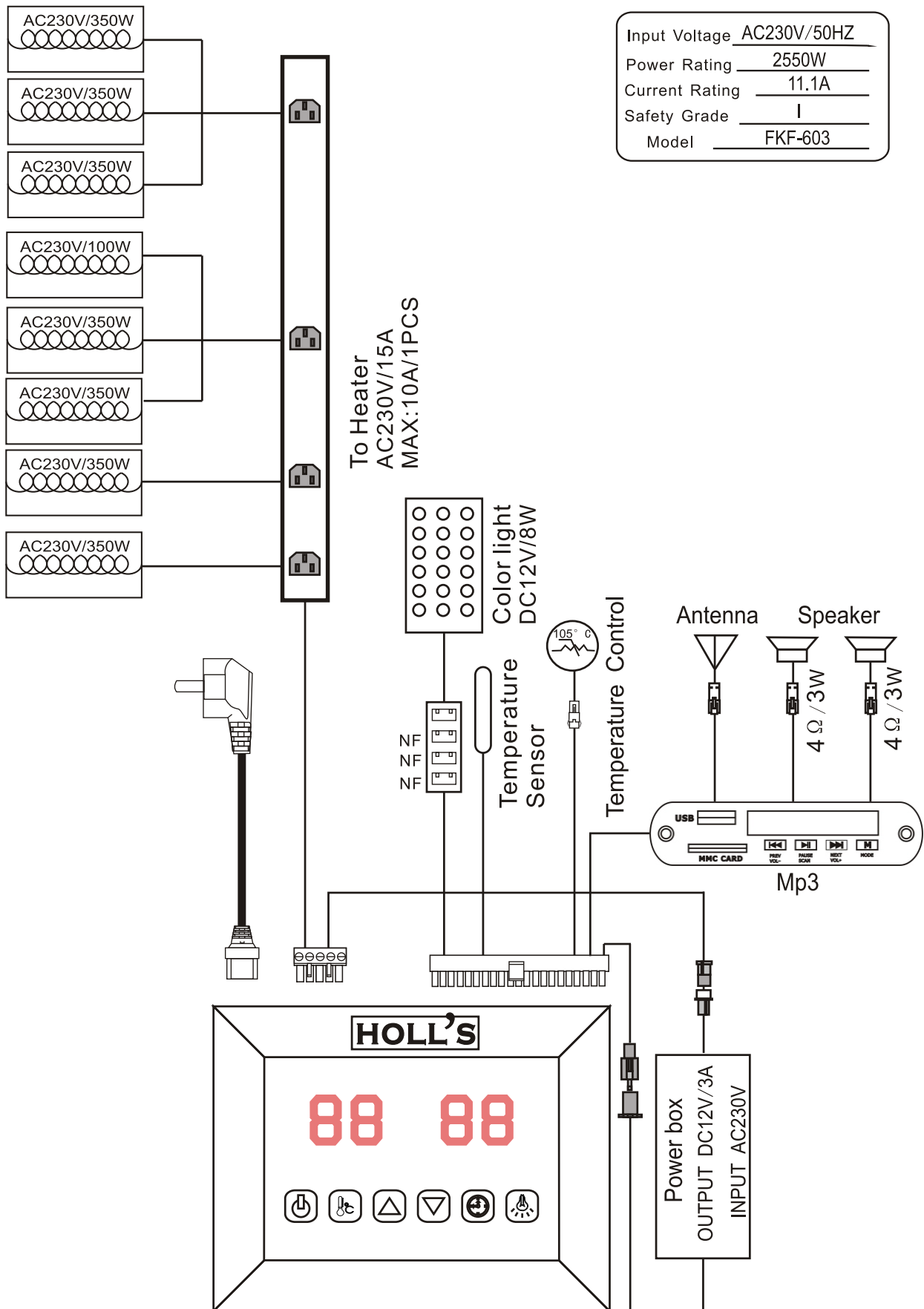
## WICHTIG

Schicken Sie das Produkt nicht zum Händler zurück

Kontaktieren Sie Ihr örtliches Kundendienst-Center auf  
[www.holls.fr](http://www.holls.fr) oder **POOLSTAR FRANCE**  
ZA les pielettes - 13740 LE ROVE - FRANCE

# Annex - Annexe - Anexo - Annesso - Nebengebäude

Circuit diagram - Schéma électronique - Diagrama de circuito - Schema elettrico - Schaltplan











**HOLL'S**

**COMFORT DESIGN SAUNAS**

---

**[www.holls.fr](http://www.holls.fr)**

---

Technical assistance - Assistance technique  
Asistencia técnica - Assistenza tecnica  
Technische Unterstützung

+33 (0)4 91 51 01 99

**Poolstar**\*

Votre Partenaire Piscine & Bien-être